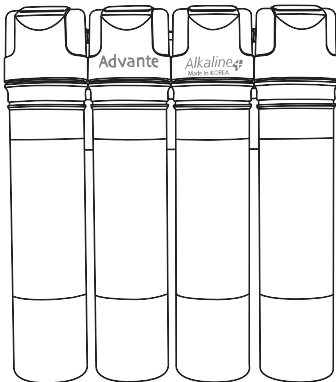


# Alkaline+

Under Sink System

OWNER'S MANUAL



**Made In KOREA**

Thank you for purchasing our Advante H2O AlkalinePlus Under Sink System.

You have taken an important step toward improving the quality of your drinking and cooking water. Advante H2O AlkalinePlus Under Sink System is crafted using only the finest materials and workmanship, and will serve you reliably for many years to come when operated and maintained according to the directions contained in this guide.

You have made a wise investment in providing quality water for you and your loved ones. Now please take a few minutes to learn about all the features and benefits of your new System.

Remember to note down the Serial Number for eWarranty registration on [www.duro.com.sg](http://www.duro.com.sg)

## IMPORTANT

1. Read this manual completely before attempting to install or use this product.
2. Replacement Filter Cartridges may be purchased from Advante reseller. For the location of the reseller nearest you, or for additional purchase information, contact our Sales & Service Centre at (+65) 6745 6800.
3. The actual capacity of your Filter Cartridge may vary from the rated capacity. This may be due to the volume of contaminants or sediment actually present in your water supply. For optimal performance, replace your Filter Cartridge upon the first occurrence of the following:
  - Annually
  - The flow rate diminishes
  - The rated capacity of the Filter Cartridge has been reached
  - You notice a taste or odour recurrence
4. Do not use water that is microbiologically unsafe or of unknown quality without adequate disinfection before or after the System.
5. For use on cold water supply only.
6. When replacing filters, use only Genuine Replacement Filters from ADVANTE.
7. Do not allow System to sit for extended lengths of time without being used (10 days or more). If System must be left unused for more than 10 days, drain all water from the System and remove the Filter Cartridges. Once you return, re-install Cartridges and flush for 15 minutes prior to use (The flushed water can be used to water plants).
8. The contaminants or other substances removed or reduced by this System may not be in your water supply.
9. Check for water leakage from System frequently for unexpected plumbing conditions.
10. When you stay away from home or office for period of time, please shut the Adaptor Valve.

## CAUTION

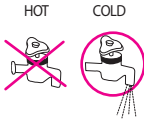
Avoid placing the unit under direct sunlight or freezing location.



Avoid placing the unit close to heat source or place any hot object on the body.



Connect the unit to a COLD water source only. It is harmful to the filters when connected to HOT water.



DO NOT USE any chemicals, abrasives, bleach, detergents, solvents or metal scouring pads on any part of the unit.



Avoid installing the unit in dusty locations.



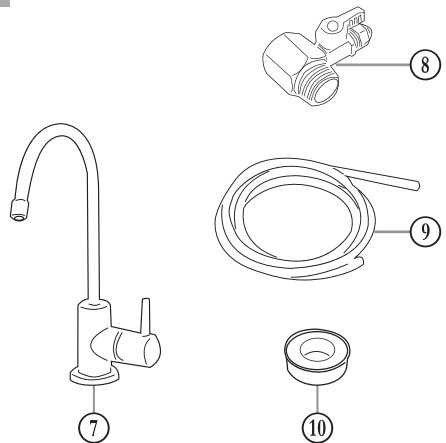
When using the unit for the first time or replacing filters, do water flushing process to each filter cartridge for about 15 minutes, until white, black or bubbly water doesn't come out from the filter.  
(Water flushing : a process of cleaning inside of the filter)



## PRODUCT DESCRIPTION



1. Water Inlet
2. Water Outlet
3. Sediment Filter
4. Pre Carbon Block Filter
5. UF Membrane
6. Antioxidant Alkaline Carbon Filter

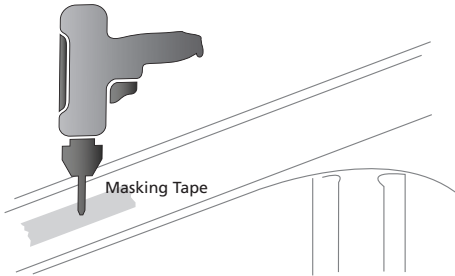


7. Faucet
8. Adaptor
9. Water Tube
10. PTFE Thread Seal Tape

## INSTALLATION

**Caution:** Please check the screw standard of water supply line under your sink. The screw of the adaptor must be  $\frac{1}{2}$ " standard screw. If it is of a different size, please seek help from a plumber.

If there are obstacles in the open area under the sink, it is not possible to install the faucet. Be sure to check the lower part of the sink before you mark out and drill the hole on your sink or countertop.

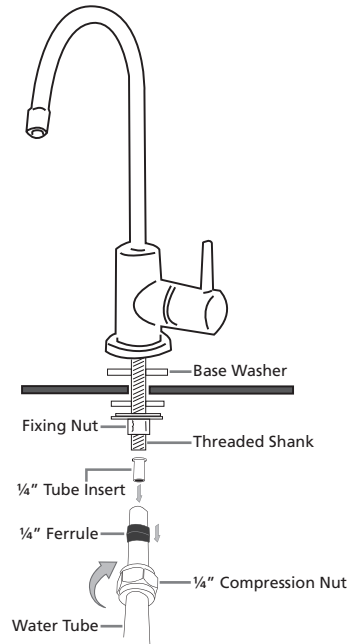


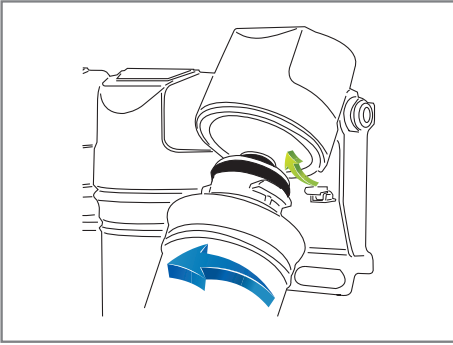
1. Drill a hole with diameter of 14mm on your sink or countertop.

For marble, granite or quartz countertop, you can use the Hollow Core Diamond Drill Bit to cut the hole. Please use huge amount of water as cooling agent. Exercise EXTRA CARE.

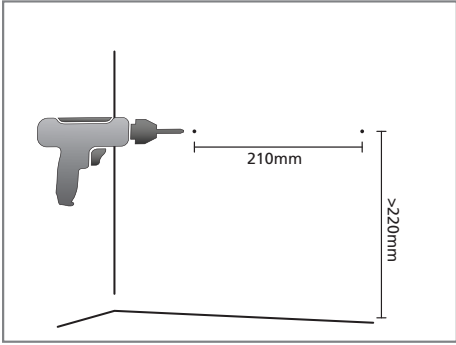


2. Clean the chips around the hole. You are now ready to install the faucet.
3. Insert the Base Washer into the Threaded Shank under the faucet body and then insert the faucet into the drilled hole.
4. Insert the packing washer under the sink onto the Threaded Shank and secure the faucet firmly with the Fixing Nut.
5. Cut a length of the  $\frac{1}{4}$ " Water Tube supplied, sufficient to reach the intended position of the Under Sink System.
6. Insert the Water Tube through the Compression Nut, then the Ferrule. Shove the Tube Insert into the end of the Water Tube.
7. Move the Ferrule towards the end of the Water Tube and secure the Water Tube to the Threaded Shank of the faucet under the sink.

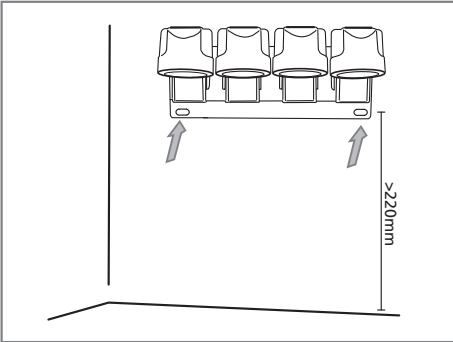




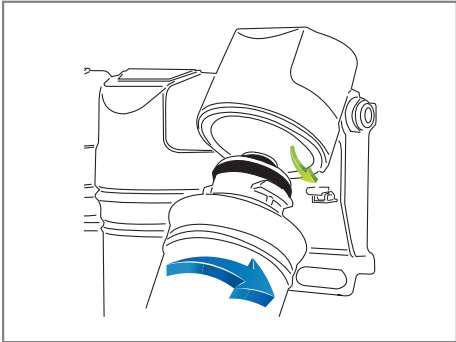
8. Remove all cartridges by pulling them outward and twist 90° anti-clockwise to remove.



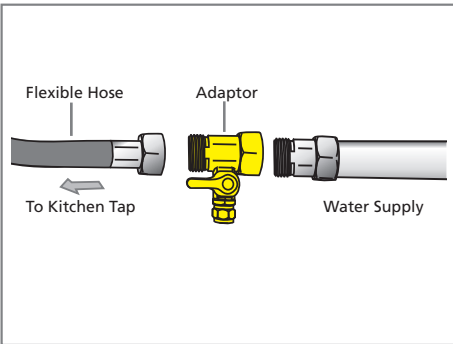
9. Drill 2 hole on the wall, and/or mark the wooden cabinet 210mm apart, minimum 220mm from the base.



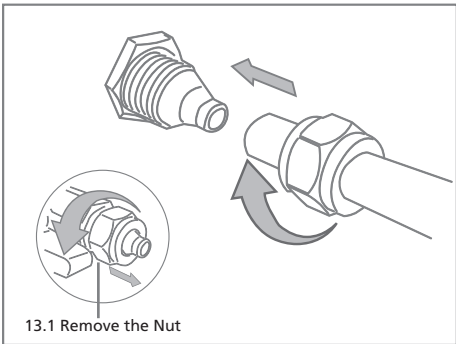
10. Secure the Main Body firmly with the screws.



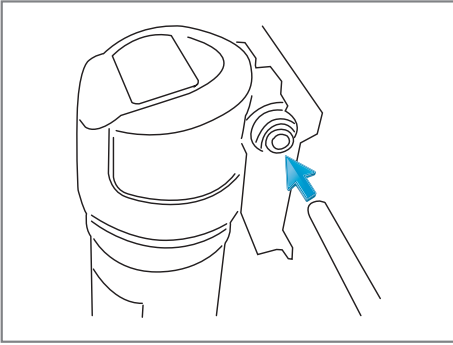
11. Insert each filter and twist 90° clockwise. Push to position. (Please take note of cartridge sequence, refer to colour)



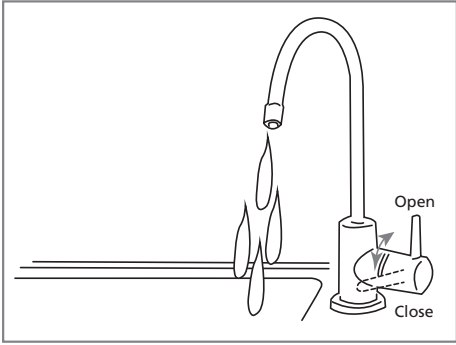
12. Turn off the main water supply. Remove the Flexible Hose to the kitchen tap. Insert the Adaptor (8) and tighten. Apply PTFE Tape (10) where necessary.



13. Remove Nut from Adaptor (8). Insert Water Tube through the Nut and secure to the Adaptor (8).



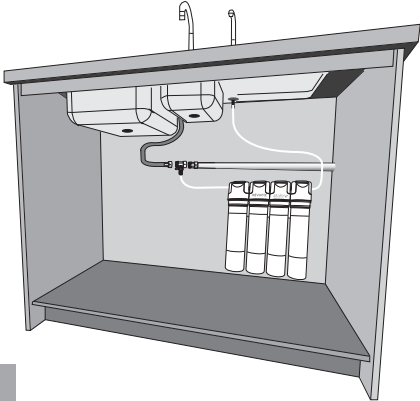
13. Insert the Water Tube from the Adaptor ⑧ to the Water Inlet ① and Water Tube to the faucet to the Water Outlet ②.



14. Turn on water supply. Look out for leakage. Turn on faucet and let water flow through about 15 minutes to flush the filter cartridges.

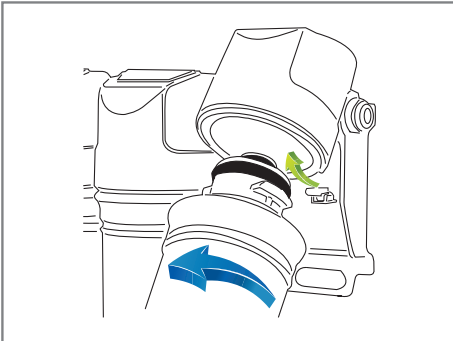
**Caution:**

Allow System to flush into sink for 15 minutes. This removes any fine, black carbon particles left over from the manufacturing process, expels trapped air and conditions the Filter Cartridge for normal use. (This flushed water may be used to water plants.)

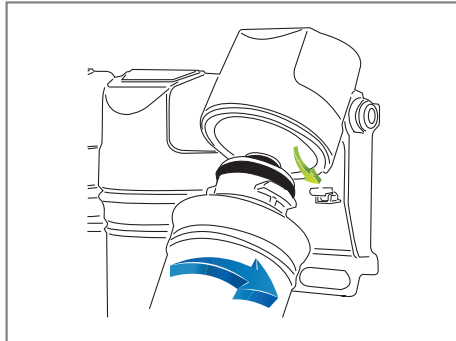


**REPLACING FILTER CARTRIDGES**

1. Turn off the water supply at the Adaptor ⑧.



2. Cartridges can be removed by pulling them outward and twist 90° anti-clockwise to remove.

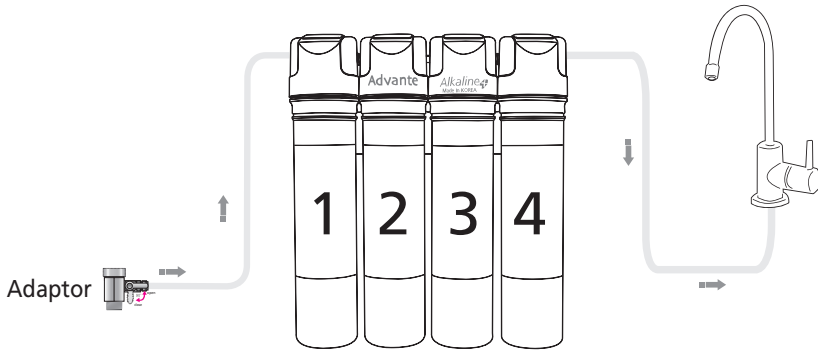


3. Insert each filter and twist 90° clockwise. Push to position. (Please take note of cartridge sequence, refer to colour)

\*NOTE: Do it in sequence. Change Cartridge 1, turn on water to flush, followed by Cartridge 2, then Cartridge 3 and lastly Cartridge 4.

4. Turn on the water supply at the Adaptor ⑧ and faucet to flush each filter cartridge into sink for 2-3 minutes for Cartridge 1 and 3. Cartridge 2 and 4 are recommended to flush up to 5 minutes. This removes any carbon fines, particles left over from the manufacturing process, expels trapped air and conditions the Filter Cartridges for normal use. (Water may be used to water plants.)

## WATER FILTRATION PROCESS



### 1 - SEDIMENT FILTER

This 1 $\mu$ m filter reduces the sediment particles such as dirt, and sand down to the nominal in size from feed water and protects pre carbon and membrane filter.

### 2 - PRE CARBON BLOCK FILTER

This carbon block filter reduces chlorine, THMs, organic chemical contaminants that contribute to taste and odour while providing the particulate filtration.

### 3 - ULTRAFILTRATION (UF) FILTER

This ultrafiltration filter is built using membranes with the smallest pore size of 0.001 $\mu$ m. It removes water contaminants, water borne micro-organiss, such as E.coli and S. aureus, and heavy metals.

### 4 - ANTIOXIDANT ALKALINE POST CARBON FILTER

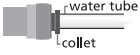
This Korean patented (*Korean Intellectual Property Office*) filter is specially designed to increase pH level, hydrogen ion concentration and provide water of lower Oxygen Reduction Potential (ORP) utilizing earth minerals without undesirable tastes.

## REMINDER

- It is strongly recommended to replace the filter cartridges at least once a year.
- If the filters are not replaced regularly, it could degrade the water quality.
- The filter replacement cycle may vary depending on feed water quality and consumption.
- When replacing filters, only use our genuine ones.  
(We cannot guarantee filter efficacy and water quality with third party cartridges)
- We do not take responsibility for any damage caused by replacing filters by unauthorised personnel.
- When replacing filters, ensure the Water Flushing Process is performed.
- Filter change is based on capacity or time, whichever comes first. Even if your water consumption is not as much, replace filter when the time is up.
- The filter replacement cycle is based on normal feed water condition and 3000 litres of water purifying efficiency. (The cycle doesn't mean quality guarantee period.)
- The period is based on 8 litres use in a day. (Based on 4-6 people).

## FREQUENTLY ASKED QUESTIONS

The following are solutions to some common problems. Please check before calling Service Centre for assistance.

PROBLEM	CAUSE	SOLUTION
<b>The purified water does not run</b>	Is the feed water supply valve or the adaptor valve locked?	Unlock the feed water supply valve or adaptor valve.
<b>Purified water flow very slow</b>	Is the water tube bended or twisted?	Be sure not to bend the water tube. Replace if necessary.
	Are the feed water supply and adaptor valves unlocked partially?	Unlock the valves fully.
	Has the life of the filter cartridges ran out?	Replace the filter cartridges.
<b>Water taste abnormal or smells bad</b>	Has the life of the pre carbon block filter or antioxidant alkaline post carbon filter ran out?	Replace the filter cartridges.
<b>Leakage of the water tube connecting area</b>	The water tube is not connected properly.	Push in the water tube fully and retract lightly to extend the collet. 
	The tip of the water tube is damaged.	Cut a small section off the tip of the water tube and re-connect . Or replace water tube.
	Damaged or not connected completely.	Replace water tube.

□ If a problem comes up, contact Service Centre and order Filter Replacements or arrange collection for malfunction rectification.

□ Please do not attempt to repair the unit yourself. We do not take responsibility for damages caused by unauthorised personnel. Warranty will be void.