

Alkaline+

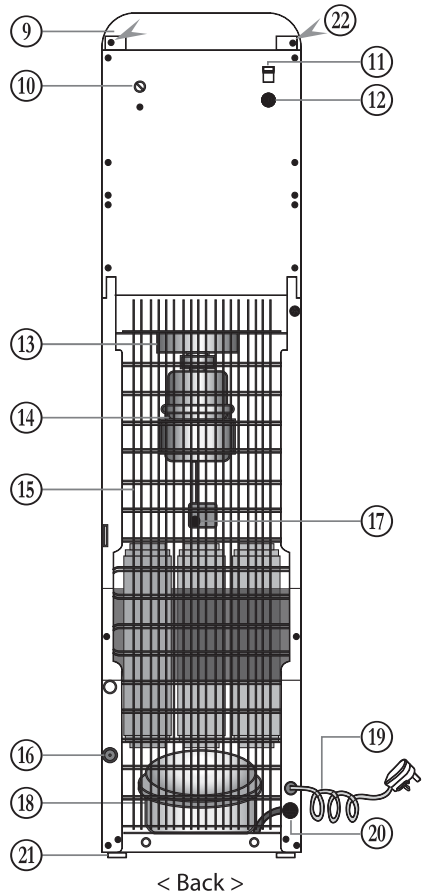
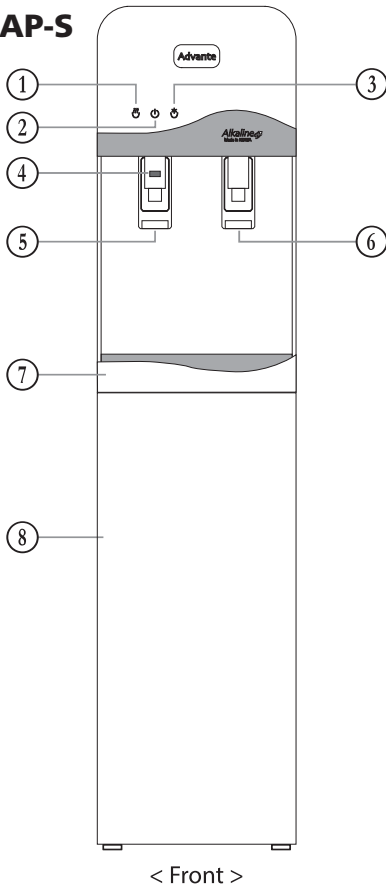
Water Filtration System

OWNER'S MANUAL

Made In KOREA

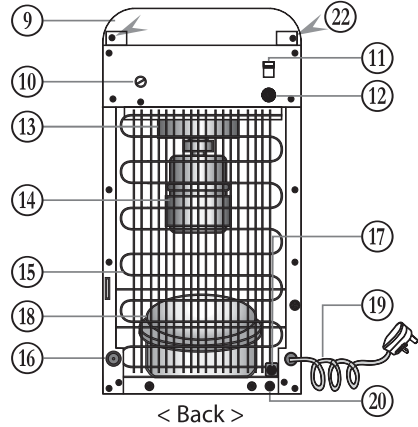
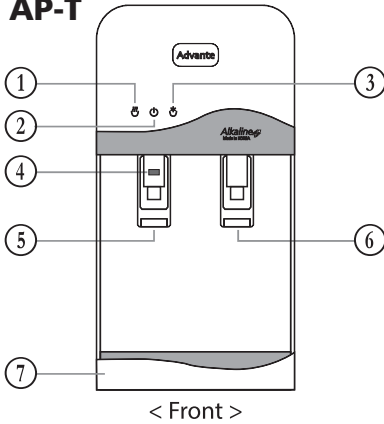
PRODUCT DESCRIPTION

H2O AP-S



- | | | |
|-----------------------------------|-----------------------------|---------------------------------|
| 1. POWER Indicator Light | 9. Top Cover | 17. Water Drainage Outlet |
| 2. HOT Water Indicator Light | 10. COLD Water Thermostat | 18. Compressor |
| 3. COLD Water Indicator Light | 11. HOT Water Heater Switch | 19. Power Cord |
| 4. HOT Water Safety Button | 12. Fuse | 20. EARTH |
| 5. HOT Water Tap | 13. COLD Water Tank | 21. Adjustable Feet (AP-S only) |
| 6. COLD Water Tap | 14. HOT Water Tank | 22. Screws (Top Cover) |
| 7. Drip Tray | 15. Condenser Coil | |
| 8. Bottom Front Cover (AP-S only) | 16. Water Inlet | |

H2O AP-T

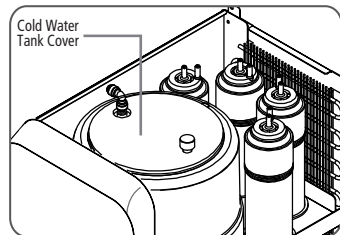
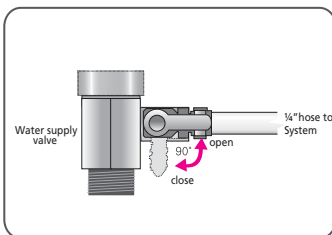


INSTALLATION

1. Select an indoor premise especially where there is free of direct sun rays, dampness and / or rain to install this H2O AlkalinePlus System.
2. Install the System on a hard, firm surface or flat floor. Unbalance installation may cause noise and trembling.
3. Install the System where there is good ventilation condition. Poor ventilation condition may cause a reduction of cooling effect. For this purpose, please leave at least 10cm of space between the System and the wall.
4. Connect the ¼" hose from the Water Supply Valve to the Water Inlet (16).
5. Detach the Top Cover (9) by removing the Screws (22) on the rear.
6. Lift the COLD Water Tank Cover and place it in a clean bucket.
7. Turn on the water supply and flush the filter cartridges until water runs clear. (about 3 - 5 minutes)
8. Shut water supply and place COLD Water Tank Cover, and Top Cover back in position. Tighten screws (22) of Top Cover.
9. Turn on water supply. Allow 10-15 minutes for the water to fill the HOT and COLD Water Tanks. Make sure water can be dispensed from the HOT (5) and COLD (6) water tap before proceeding to the next step.
10. Insert plug into a 13Amp socket, turn switch ON. The compressor will start working to chill the COLD Water Tank.
11. Turn on HOT Water Heater Switch (11) to have hot water supply.

NOTE: Please allow at least a 5 minute interval turning on the Main Power Switch once it is off. The COLD Water Thermostat (10) is already set for optimal performance in the factory. Please do not adjust the setting.

WARNING: Do Not Plug the System into the socket until water flows through both taps.



PROPER CARE AND CLEANING

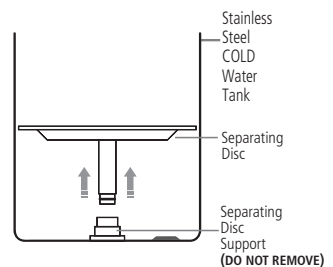
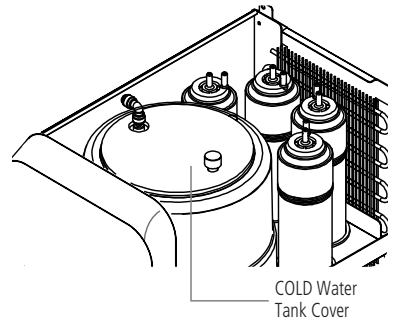
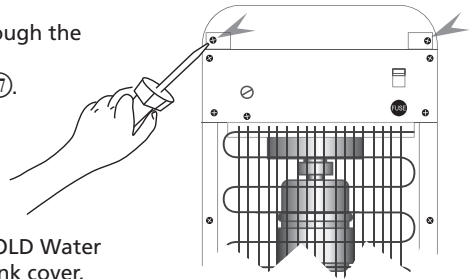
WARNING: Always remove the plug from the electric socket before performing any maintenance or cleaning.

General

1. For best results, it is recommended to change the filters every 3000 litres or 12 months, whichever comes first.
2. It is also recommended to drain off the water within the dispenser every month by releasing water through the Water Drainage Outlet (17).
Beware: Water flowing out can be very hot.
3. The spilled water in the Drip Tray (7) must be removed and cleaned regularly.

Cleaning HOT and COLD Water Tank

1. Turn off power supply and remove plug from socket.
2. Close water supply and turn off HOT Water Heater Switch (11).
3. Drain all the water in the COLD Water Tank through the COLD Water Tap (6).
4. Remove the cap of the Water Drainage Outlet (17).
(BE CAREFUL not to get burned by the hot water when opening the cap.)
5. Remove the 2 screws (22) on the rear side on the Top Cover (9) with a Phillips Screwdriver. (+)
6. Lift up the Top Cover (9) from the rear and detach from the dispenser. Then separate the COLD Water Tank Cover in the unit. (When separating the tank cover, be careful not to damage the rubber seal. The cold water tank is made of stainless steel be careful not to hurt your hands)
7. Remove the Separating Disc by pulling up vertically.
8. Clean the inside of the COLD Water Tank by pouring water into it. After water drains out, close the Water Drainage Outlet (17).
9. Clean and dry the Stainless Steel COLD Water Tank with a clean cloth or kitchen towel. **DO NOT USE any chemical or detergent.**
10. Reposition the Separating Disc, COLD Water Tank Cover and Top Cover (9) in order.
11. Secure Top Cover Assembly with the screws (22) at the rear side of the dispenser.
12. Turn on the water supply valve and look out for leakage when the HOT and COLD Water Tanks are being filled.
13. Make sure water can be dispensed from the HOT (5) and COLD (6) water tap before proceeding to the next step.
14. Insert plug into a 13Amp socket, turn switch ON. The compressor will start working to chill the COLD Water Tank.
15. Turn on HOT Water Heater Switch (11) to have hot water supply.

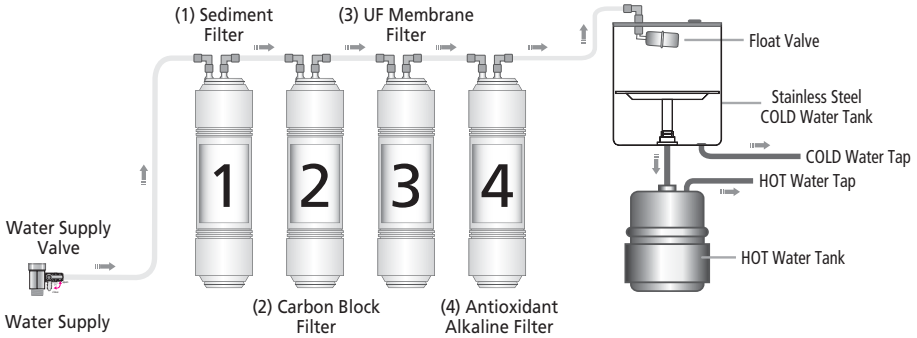


(If you notice something unusual, contact Service Centre for assistance.)

Cleaning the Condenser Coil

We recommend that you move the dispenser away from the wall and vacuum or brush the Condenser Coil ⑮ at the rear of the unit at least 4 times a year. Some operating environments require more frequent cleaning.

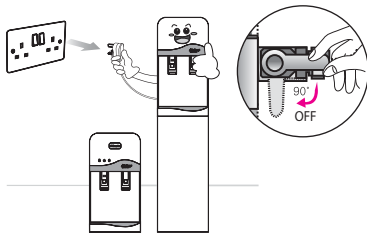
WATER FILTRATION PROCESS



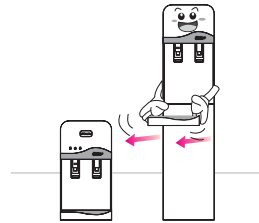
REPLACING FILTER CARTRIDGES

WARNING: Always remove the plug from the electric socket before performing any maintenance or cleaning.

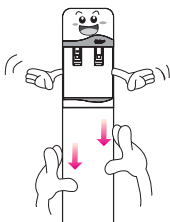
1. Before replacing the filters, remove plug from socket and shut water supply valve.



2. Remove drip tray.

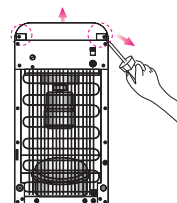


3. Push down the Bottom Front Cover ⑧ and pull it to the front and separate it.



Model: H2O AP-S

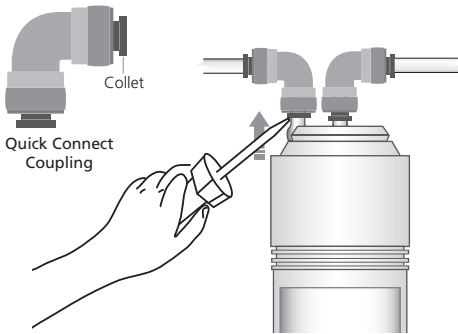
3.1 Loosen left and right screws ⑳ of top cover at the back of the unit, slide towards yourself and lift to separate the cover.



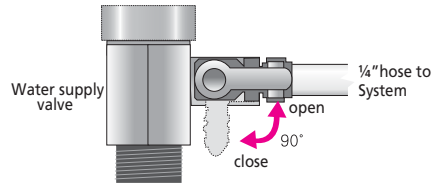
Model: H2O AP-T

4. After replacing filters, reassemble parts in reverse order.

- Push to retract the Collet and remove the Quick Connect Coupling.
- Insert the hose into the Quick Connect Coupling and retract lightly to extend the Collet.

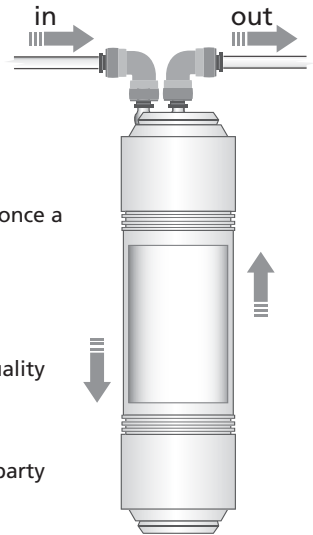


5. Turn on the water supply valve and plug into the socket.



When using the unit for the first time or replacing filters, do water flushing process to each filter cartridge for about 5 minutes, until white, black or bubbly water doesn't come out from the filter.

(Water flushing : a process of cleaning inside of the filter)



CAUTIONS

It is strongly recommended to replace the filter cartridges at least once a year.

If the filters are not replaced regularly, it could degrade the water quality.

The filter replacement cycle may vary depending on feed water quality and consumption.

When replacing filters, only use our genuine ones.
(We cannot guarantee filter efficacy and water quality with third party cartridges)

⚠ We do not take responsibility for any damage caused by replacing filters by unauthorised personnel.

When replacing filters, ensure the Water Flushing Process is performed.

Filter change is based on capacity or time, whichever comes first. Even if your water consumption is not as much, replace filter when the time is up.

The filter replacement cycle is based on normal feed water condition and 3000 litres of water filtering efficiency. (The cycle doesn't mean quality guarantee period.)

The period is based on 8 litres use in a day. (Based on 4-6 people).

FREQUENTLY ASKED QUESTIONS

The following are solutions to some common problems. Please check before calling Service Centre for assistance.

PROBLEM	CAUSE	SOLUTION
Insufficiently heated water	Low power supply.	Check voltage rate.
	HOT Water Heater Switch off.	Check if the HOT Water Heater Switch at the rear of the unit is ON.
Insufficiently chilled water	Low power supply.	Check voltage rate.
No water Does not dispense	Filters need to be replaced.	Check filter cartridge replacement cycle and change filter cartridges as accordingly.
	Water supply cut off.	Remove plug from socket. When water supply is available, plug into socket and turn unit on.
	Connecting hose bended.	If there is a bend in the connecting hose, straighten the section.
No heating	Shut down by temperature thermostat or heater malfunction.	Turn off the HOT Water Heater Switch, contact Service Centre. (When the water tank is overheated, the temperature thermostat will cut off the power supply to the heater.)
Abnormal hot & cold water temperature	Too much water consumption at a go.	When large amount of water is continuously dispensed from the unit, hot and cold temperature become insufficient. Wait 4~5 minutes for HOT water and up to 30 minutes for cold water to be chilled.
Noisy sound	Working sound of compressor.	When the compressor works and stops, it produces sound like water flowing. The sound is the resultant of refrigerant flowing.
	Floor area not level.	Turn the Adjustable Feet at the bottom of the unit to ensure vertical position and not wobbly.
Decreased water production	Filter choked.	Replace filter cartridges.
	Low pressure feed water.	If low pressure water is supplied to the unit, lesser amount of filtered water will be produced.
Water leakage	Poor water hose connection.	Shut water supply. Check all hose connection for leakage. If leakage is from the fitting, remove hose, snip a bit off the hose and re-attached. If all remedy fail, contact Service Centre.
Unpleasant water taste or odours	COLD Water Tank is not cleaned properly.	Clean the COLD Water Tank.
	Unit is not used for a long period.	Replace all filter cartridges. Clean the COLD Water Tank and drain off all water from the HOT Water Tank.
Particles in water	It is bubble caused by water dispensing.	After 5 minutes, if particle still remains. drain off all water from HOT and COLD Water Tanks. Refill and check. If all remedy fail, contact Service Centre.

□ If a problem comes up, contact Service Centre and order Filter Replacements or arrange collection for malfunction rectification.

□ Please do not attempt to repair the unit yourself. We do not take responsibility for damages caused by unauthorised personnel. Warranty will be void.

SAFETY INSTRUCTIONS

- This dispenser is designed for INDOOR USE ONLY and should not be used outdoors.
- Always turn off and unplug before proceeding to any maintenance or cleaning.
- Repair or replace immediately, all electrical cords that have become frayed or otherwise damaged. Do not use a cord that shows crack or abrasion damage along its length and on the plug.
- To protect against electric shock, do not immerse cord, plug, or other parts of the unit in water.
- This dispenser should not be recessed or built into a enclosed cabinet. It is designed for freestanding installation only.
- Do not use any chemicals, abrasives, bleach, detergents, solvents or metal scouring pads on any part of the unit.
- When moving, the unit must be in vertical position. Never lean the water dispenser at the angle of more than 45° as this may cause possible damage to the unit.
- Do not power on the dispenser immediately after switching off. Interval of 5 minutes is recommended.
- It is recommended to turn off the electric mains if the unit is unattended for long hours.
- Do not use water that is microbiologically unsafe or of unknown quality without adequate disinfection before or after the system.

TECHNICAL SPECIFICATION

Model:	H2O AP-T	H2O AP-S
Rated Voltage:	220 - 240V	220 - 240V
Rated Frequency:	50Hz	50Hz
Total Power Consumption:	600W	600W
Heating Power:	480W	480W
Cooling Power:	0.6A	0.6A
HOT Water Tank:	1.2 litres	2.1 litres
COLD Water Tank:	3.6 litres	3.6 litres
Water Temperature (HOT):	80 - 90°C	80 - 90°C
Water Temperature (COLD):	4 - 10°C	4 - 10°C
Refrigerant:	R134a / 30g	R134a / 36g
Test Pressure:	260PSI	260PSI
Climate Class:	T	T
Max. Inlet Water Pressure:	0.68MPa	0.68MPa
Dimension:	H51x W26 x D48cm	H111 x W26 x D35.5cm

Distributed by:
DURO INTERNATIONAL PTE LTD
www.duro.com.sg