

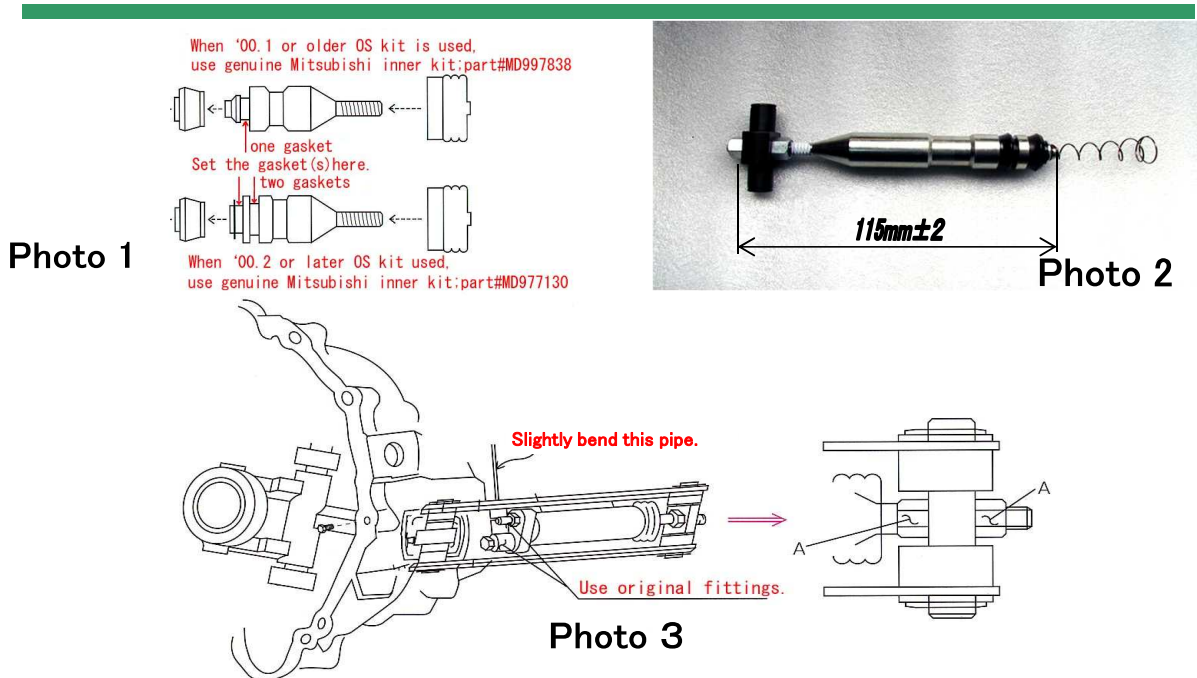
Lancer Evolution X

Warning for OS alteration kit overhaul

Mitsubishi changed the genuine part inner kit from single packing type to double packing type and current OS alteration kit is designed for double packing type.

OS alteration kit before 2000.1 used a single packing type. When you overhaul it, please use Mitsubishi genuine part (MD997838) inner kit. See Photo 1.

When you overhaul OS alteration kit after 2000.2, please use Mitsubishi genuine part (MD977130).



Installation

1. The product is automatic type alteration kit. Return spring and spring base is not included. Take the genuine release cylinder to pieces. Adjust OS push rod referring to photo 2 (Attach the OS push rod onto the black packing of the release cylinder cup. Set the length at 115mm.) and install it into the release cylinder. At this moment, remove genuine aluminum cup. You will not need this.

2. Refer to photo 3 and attach the release cylinder along with the release fork. Please double check to see if the nut A is screwed tight. Also, modify the pipe for the master cylinder and release cylinder with extra care. Do not bend the pipe too much. It may cause snap or trouble in the future.

General Waring

- ※Check to see if all the parts are enclosed.
- ※ Please be aware of potential risks and hazards when installing our products. We do not take any responsibility for any loss and/or injury occurred when our products are modified, re-used and/or ill-fitted.
- ※Spray aerosol lubricant to the appropriate surface of the moving parts.
Periodical lubrication is recommended.
- ※The clutch release movement alteration parts are expendables. When excessive wear or damage is found, all concerning parts should be replaced at the same time.
- ※All information on this sheet is based on Japanese Domestic Model vehicles and may not be applicable in your country.
- ※Specification may be changed without notice.

OSGIKEN
Pursuing Power Limit & Parts Development

464 OKIMOTO OKAYAMA-CITY OKAYAMA 702-8001 TEL(086)277-8609 FAX(086)277-8115

URL:www.osgiken.co.jp/