

PRODUCT SPECIFICATIONS

Model		HYC-51BF	HYC-51BF	
Technical Data	Cabinet Type	Upright	Upright	
	Climate Class	N	N	
	Cooling Type	Force air cooling	Force air cooling	
	Sound Level((dB(A))	34	34	
Performance	Cooling Performance(°C)	±2	±2	
	Temp Range(°C)	2-8°C	2-8°C	
Control	Controller	Microprocessor	Microprocessor	
	Display	LCD	LCD	
	LCD Size (in)	7.0	7.0	
Electrical Data	Power Supply(V/Hz)	115V/60Hz	220~240V/50Hz/60Hz	
	Power Input(W)	165	165	
	Rated Current(A)	1.5A	0.8A	
Dimension	Capacity(L/Cu.Ft)	51/1.8	51/1.8	
	Net/Gross Weight (approx)	kg	50/57	50/57
		lbs	110.3/125.8	110.3/125.8
	Interior Dimension(W*D*H)	mm	380*330*470	380*330*470
		in	15*13*18.5	15*13*18.5
	Exterior Dimensions (W*D*H)	mm	525*565*720	525*565*720
		in	20.7*22.2*28.3	20.7*22.2*28.3
	Packing Dimensions (W*D*H)	mm	550*600*883	550*600*883
		in	21.7*23.6*34.8	21.7*23.6*34.8
	Container Load(20'/40'/40'H)		72/152/152	72/152/152
Alarms	High/Low Temp	Y	Y	
	Sensor Error	Y	Y	
	Door ajar	Y	Y	
	Alarm Mode	Audible buzzing and alarm window	Audible buzzing and alarm window	
Accessories	Level Leg	4	4	
	Tray	3	3	
	Data Log	USB	USB	
Others	Certificate	UL	CE	

Haier Biomedical

Intelligent Protection of Life Science

Pharmacy Refrigerator with TEC



With TEC technology for super low noise and minimum vibration

- Military grade TEC(Thermo electric cooler) to produce refrigeration effect
- Low noise DC fan
- Less than 35dB(A) sound level



Multi temperature protection

- Air temperature sensor for control
- Display sensor for displaying the actual temperature
- Hot end temperature sensor to protect TEC module for a service life of more than 10 years



Microprocessor control for 2°C to 8°C

- Forced air cooling with +/- 2°C temperature uniformity and display accuracy 0.1°C
- Maximum power for rapid temperature pulldown



7 inch LCD display

- Equipped with 7 inch LCD display with visual UI operating interface
- Authorized administration, safe and reliable.

The refrigerator can be used to store vaccines, medicines and laboratory products at 2 to 8°C temperature range in pharmaceutical companies, laboratories, clinics, and hospitals.

Qingdao Haier Biomedical Co.,Ltd.

Brand Building, Haier Industrial Park, No. 1
Haier Road, Qingdao, 266101, P.R.China
Tel: +86-0532-88935955
Website: www.haiermedical.com



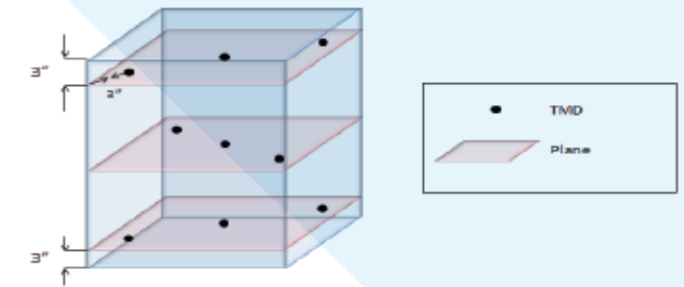
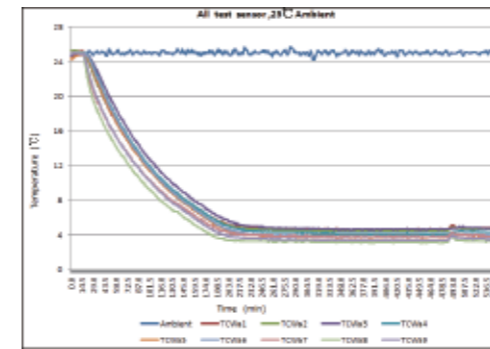
Safer by Design

Theory of Operation: cooling power is controlled by pulsing signals to TEC modules for tight temperature control of +/-2°C

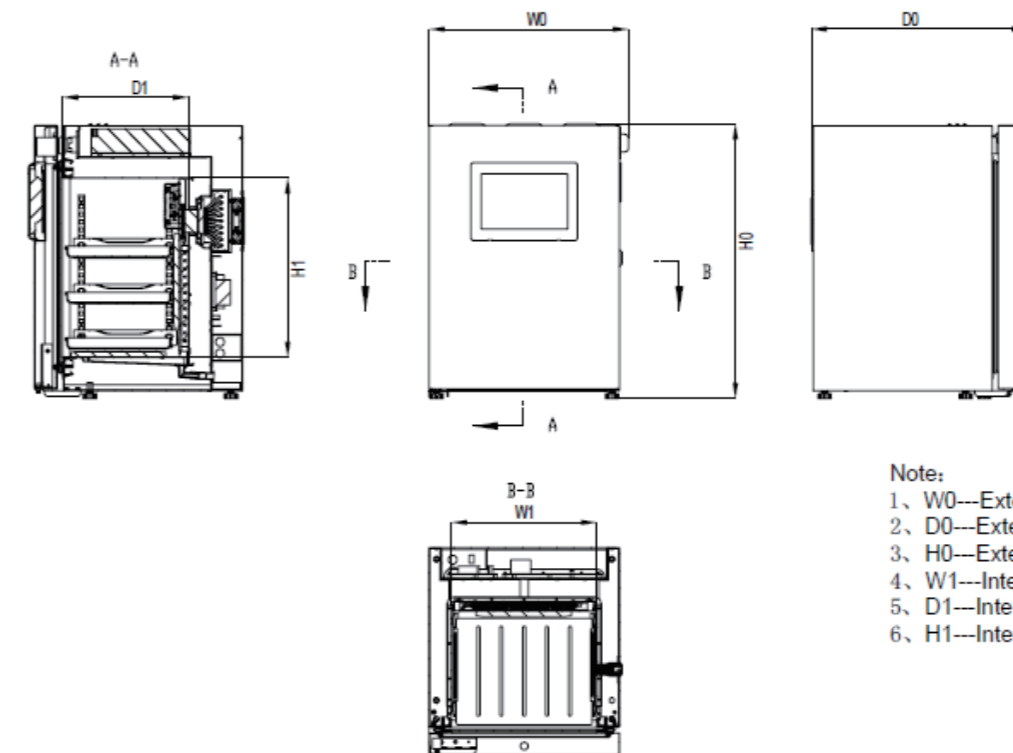
The advantage of compressor free refrigerator

TEC Technology	VS	Conventional Compressor
 <ul style="list-style-type: none"> Sustainable & Non-toxic refrigeration Energy efficient and low waste heat No pumps or motors for quiet operation No moving/mechanical parts for best reliability Compact design allows more storage capacity Lab & Clean room ready dust-free operation 		 <ul style="list-style-type: none"> Power hungry and high waste heat Loud pumps and motors Unreliable moving/mechanical parts Bulky compressor steals valuable capacity Expensive filtration required

Typical performance characteristics in 25°C ambient



PRODUCT DIMENSION DRAWING



Note:
 1、W0---External width size;
 2、D0---External depth size;
 3、H0---External height size;
 4、W1---Internal width size;
 5、D1---Internal depth size;
 6、H1---Internal height size.

MODEL	CODE	W0	D0	H0	W1	D1	H1
HYC-51BF		525mm	565mm	720mm	380mm	330mm	470mm



7 inch touch screen

- 7 inch LCD display with high-definition
- Paging interface management, simple and easy-to-read



Frost free cooling fins on TEC module cold end

- Defrost process initiated after accumulated run hours
- Temperature does not exceed 7°C during defrost process



Door auto-closure

- Door stays opened at 90 degree
- Door automatically swings closed at less than 90 degree opening once released to reduce moisture infiltration
- Satisfies requirement of 100,000 times door opening and closing



Removable trays with ABS material

- Adjustable three trays design
- Each tray holds thirty 50x50x50 mm storage boxes, totaling 150 boxes
- Trays designed for over 500,000 movements
- Weight limit at 100 kg/sq. M



Data log

Data can be downloaded through USB port from different time scale, CSV files are easy to open with MS Excel



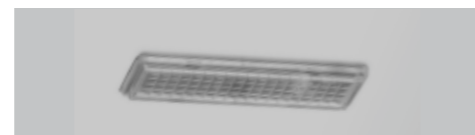
Power protection switch and removable power cord

- Dual safety protections
- Power cord plug accessible on external of unit
- Under counter installation
- Power turn on/off by direct plug in
- Universal power supply 220V/115V at 50/60Hz



Natural Evaporation of Condensate

Interior water is drained through a small hole into a stainless steel catch box. Condensate water is evaporated by warm air flow



LED lighting

Led lights are installed in the interior roof for soft lighting.



Low noise DC fan, sound level less than 35dB(A)