



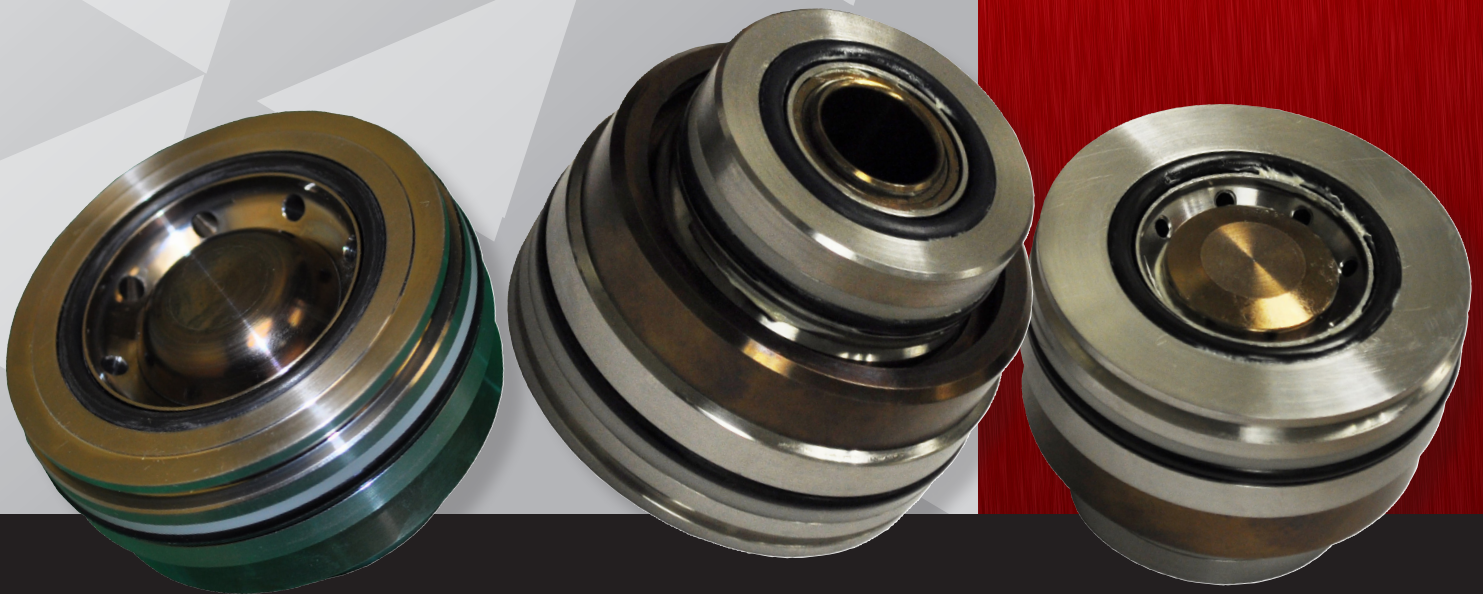
ADVANCED PRESSURE SYSTEMS

Always Providing Service

2018 CATALOG

High Pressure
Water Pump Parts

**“JETSTREAM COMPATIBLE”
FLUID ENDS**



ADVANCED PRESSURE SYSTEMS

701 S. Persimmon St., Suite 85 - Tomball, TX 77375

Toll Free in North America: (877) 290-4277

Phone: (281) 290-9950 Fax: (281) 290-9952

E-mail orders: sales-team@advancedpressuresystems.com

WWW.ADVANCEDPRESSURESYSTEMS.COM

The Advanced Pressure Systems Team



Peter Goldsmith
Managing Director



Kenny Kujawa
VP - Manufacturing



David Mitchell
Director of Operations



Fabian Villanueva
International Sales



Kent Maddie
VP - Sales & Marketing



Johnny Matsoukas
La Porte, Branch Manager



Sheree Paramore
VP - Production & Inventory Control



Nick Ragan
Customer Service / Sales Rep

Since 2007, **APS** has manufactured a full line of high pressure water blasting equipment and accessories for numerous industries and applications, as well as consulting and engineering services. In addition to the following production items, APS provides a complete offering of replacement wear parts for pumps to a number of major manufacturers.

- 15 to 40K hand and foot control guns
- Flow divider and pressure regulating valves
- Nozzles and fittings
- Stock Parker & Spir Star flex lances and hoses
- Safety products
- StoneAge tools distributor

APS has a rigorous quality and machining process at the most comparable price in the industry.

Do you need a part for a particular application while still on the job? Look no further than APS's design and engineering services, coupled with our large inventory of stock, for a quick turnaround.

APS's customer service team gets APS referred! They are dedicated to you, knowledgeable and industry experienced, quick to respond, and thorough from your order to delivery. APS stands for Always Providing Service.

APS is the only solution to all your water blasting equipment requirements.

Accessories - Control Guns - Fittings - Rigid Lances - Flex Lances - Hoses - Nozzles - Pump Parts

www.advancedpressuresystems.com
Toll Free in North America: 1 (877) 290-4277 or (281) 290-9950

"JETSTREAM COMPATIBLE" PUMP PARTS	PAGE
15K CARTRIDGE VALVE (Gen1)	1
15K CARTRIDGE VALVE	2
20K CARTRIDGE VALVE	3

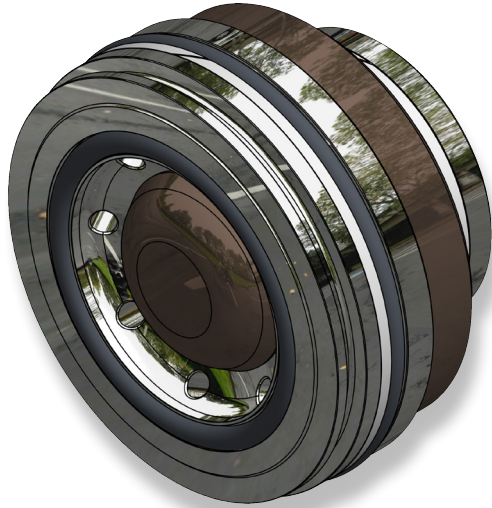
APS offers and stocks a wide range of quality replacement pump parts for several popular pump brands including **NLB, Gardner Denver/Partek, Jetstream and Weatherford**. All **APS** pump parts are made to manufacturer specs, and are often of greater quality than that of the original manufacturers. Chances are, we can save you both time and money.

(Unless specifically designated as "Genuine OEM Part" on the part listing, all parts are manufactured by APS and do not have endorsement from, or affiliation with, the original equipment manufacturer (OEM) it is designated as "compatible" with.

These valve and seat assemblies (cartridges) and Seal Kits replace the corresponding Uni-Valve components in Jetstream Fluid Ends. Please check the Jetstream Part No. show adjacent to the **APS** Part No. when making a selection.

15K Cartridge Valve (Gen1)

Replaces J/S Compatible 50365



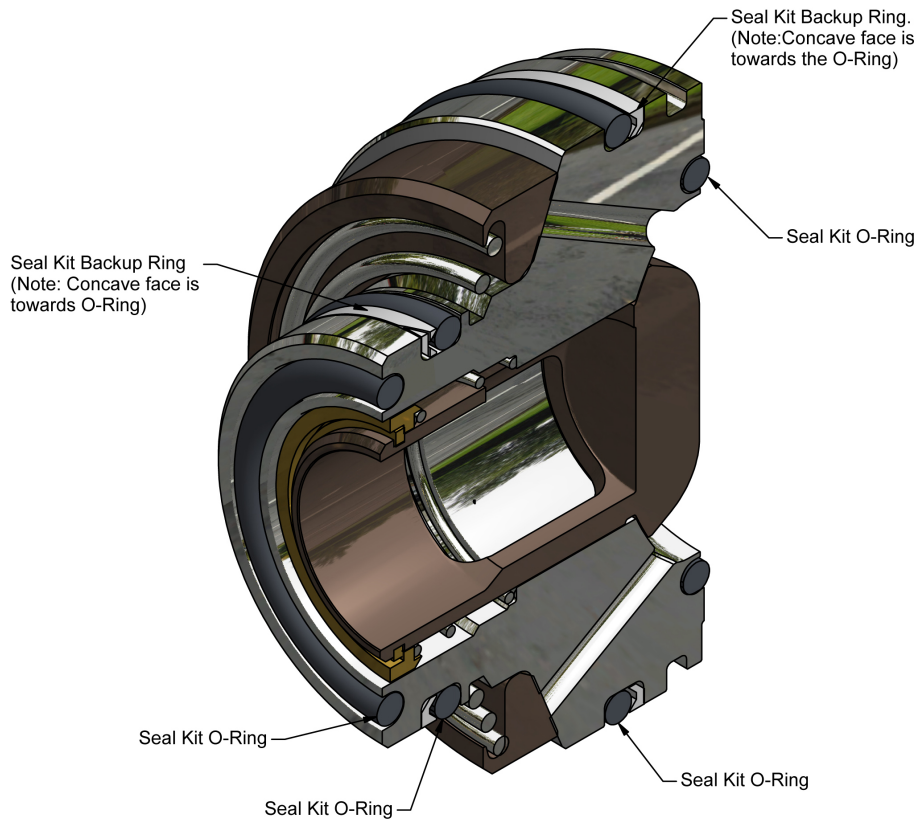
Compatible with
Jestream Unx Fluid
End Model Numbers:

- 4215
- 3615 (GEN 1)
- 4215N (GEN 1)
- 4515B (GEN 1)
- 4015B
- 3715B

15K Seal Kit



Part #	Description
25-004-430	15K CARTRIDGE VALVE - Replaces J/S Part No. 50365
25-004-431	15K CARTRIDGE VALVE SEAL KIT - Replaces J/S Part No. 50370



SECTION THROUGH VALVE ASSEMBLY - SHOWING SEAL KIT INSTALLATION

15K Cartridge Valve
Replaces J/S Compatible 52870



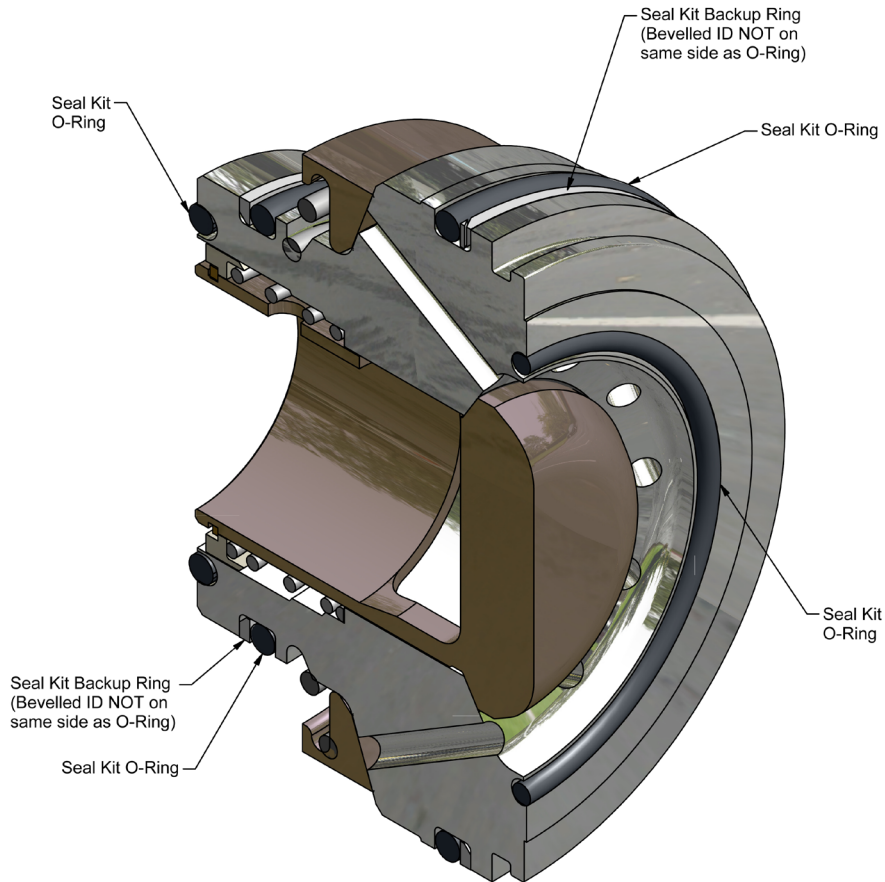
Compatible with
Jestream Unx Fluid
End Model Numbers:

- 5015Q
- 4215HF
- 3615 (GEN1)
- 4215N
- 4215QN
- 4515B

15K Seal Kit



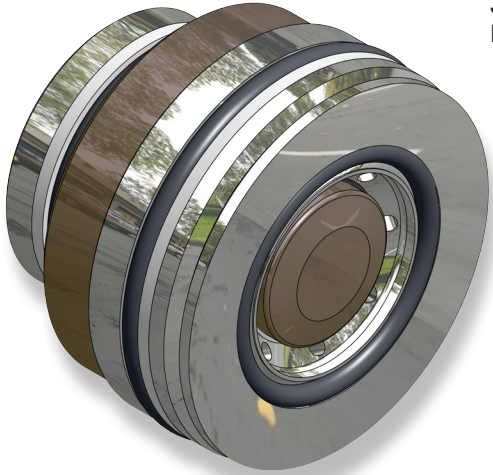
Part #	Description
25-004-458	15K CARTRIDGE VALVE - REPLACES JS Part No. 52870
25-004-459	15K CARTRIDGE VALVE - Seal Kit JS Part No. 52875



SECTION THROUGH VALVE ASSEMBLY - SHOWING SEAL KIT INSTALLATION

20K Cartridge Valve

Replaces J/S Compatible 51790



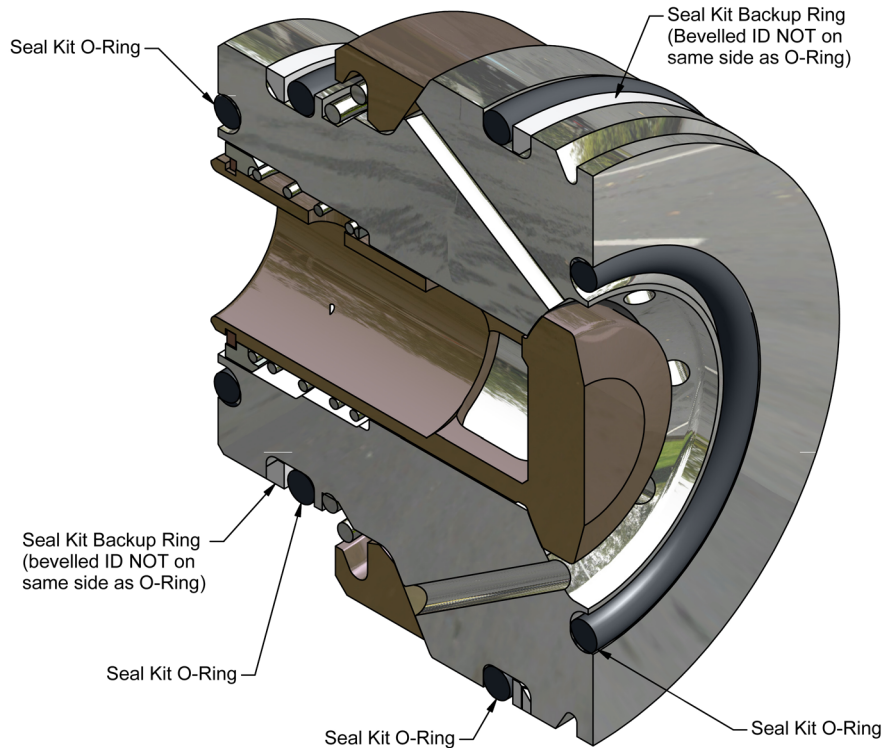
Compatible with
Jestream Unx Fluid
End Model Numbers:

- 5020Q
- 4220 & 3620

20K Seal Kit



Part #	Description
25-004-407	20K CARTRIDGE VALVE - REPLACES JS Part No. 51790
25-004-409	20K CARTRIDGE VALVE - Seal Kit JS Part No. 50465



SECTION THROUGH VALVE ASSEMBLY - SHOWING SEAL KIT INSTALLATION

YOU ARE RESPONSIBLE FOR SAFETY!

Advanced Pressure Systems publishes guides for the safe use of Water Blasting Equipment.

Please READ them!

We also strongly advise that all personnel are fully conversant with:

"Recommended Practices for the Use of Manually Operated High Pressure Water Jetting Equipment"

published by the Water Jet Technology Association.



These may be obtained free of charge by contacting:
ADVANCED PRESSURE SYSTEMS, L.P. (877) 290-4277

Conditions of Sale & Warranty

General - These terms and conditions and warranty provisions are applicable to all products contained in this catalog, and may not be varied, except in writing by a partner of APS Pressure Systems L.P.

Terms of Sale –

- 1) All sales are FOB manufacturers plant, Houston, Texas, and are priced and must be paid for in US dollars.
- 2) The purchaser agrees to hold APS Pressure Systems (DBA: Advanced Pressure Systems) harmless for any and all claims arising from the misuse or misapplication of any product manufactured or supplied by Advanced Pressure Systems.
- 3) Products returned for credit will be subject to 15% restocking charge. Only standard products will be accepted for restocking. All sales of non-standard items are final.
- 4) Payment may be made by credit cards issued by VISA or MASTERCARD. Payment by credit cards issued by AMERICAN EXPRESS will be subject to 3% service charge.

Warranty - The following classes of products carry the warranty indicated. Any component included in an assembled product which is subject to wear is not warranted. Products which have been subject to abuse including misapplication, corrosion, excessive pressure, over-tightening and galling of screw threads will not be accepted for replacement under warranty. Products not manufactured by Advanced Pressure Systems will carry the warranty by of the respective manufacturer

Hose - Not warranted. Coupling may be warranted by manufacturer.

Rigid Lances - Ninety days from date of shipment.

Plungers and Pump Packing - Not warranted.

Control Guns, Flow Divider Valves, Flow Control Valves - Ninety days from date of shipment.

Relief Valves - 180 days from date of shipment.

Nozzles and nozzle inserts / orifices - Not warranted

Fittings, Connectors and Couplings - 180 days from date of shipment.

Shipping Costs - Orders may be shipped prepaid by any regularly available means, and the cost will be paid by the customer. Other shipping costs including but not limited to: insurance for the full retail value of the products, packaging, crating and any other handling costs will be billed to the customer. If the customer collects the products from the Houston plant there will not be any shipping charges.

Payment - All invoices are due net 30 days from date of shipment. Any invoices which are more than 30 days past due will result in the account of the customer concerned to be placed on hold.



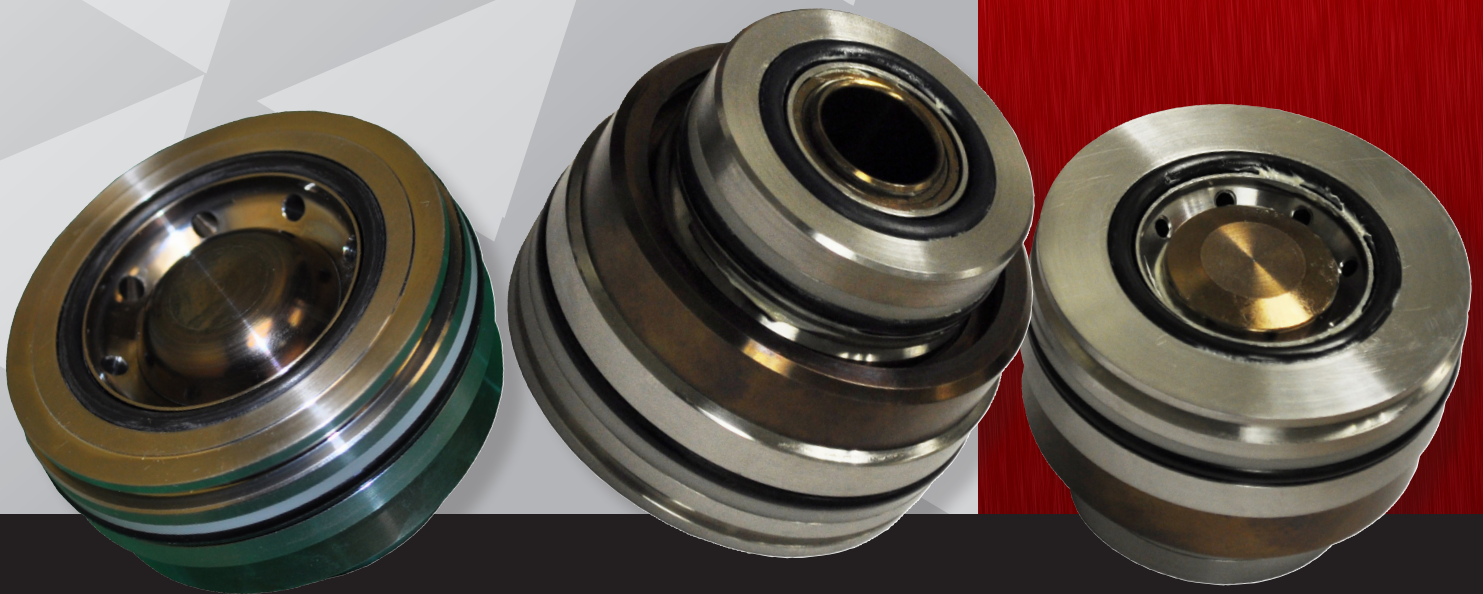
ADVANCED PRESSURE SYSTEMS

Always Providing Service

2018 CATALOG

High Pressure
Water Pump Parts

**“JETSTREAM COMPATIBLE”
FLUID ENDS**



ADVANCED PRESSURE SYSTEMS

701 S. Persimmon St., Suite 85 - Tomball, TX 77375

Toll Free in North America: (877) 290-4277

Phone: (281) 290-9950 Fax: (281) 290-9952

E-mail orders: sales-team@advancedpressuresystems.com

WWW.ADVANCEDPRESSURESYSTEMS.COM