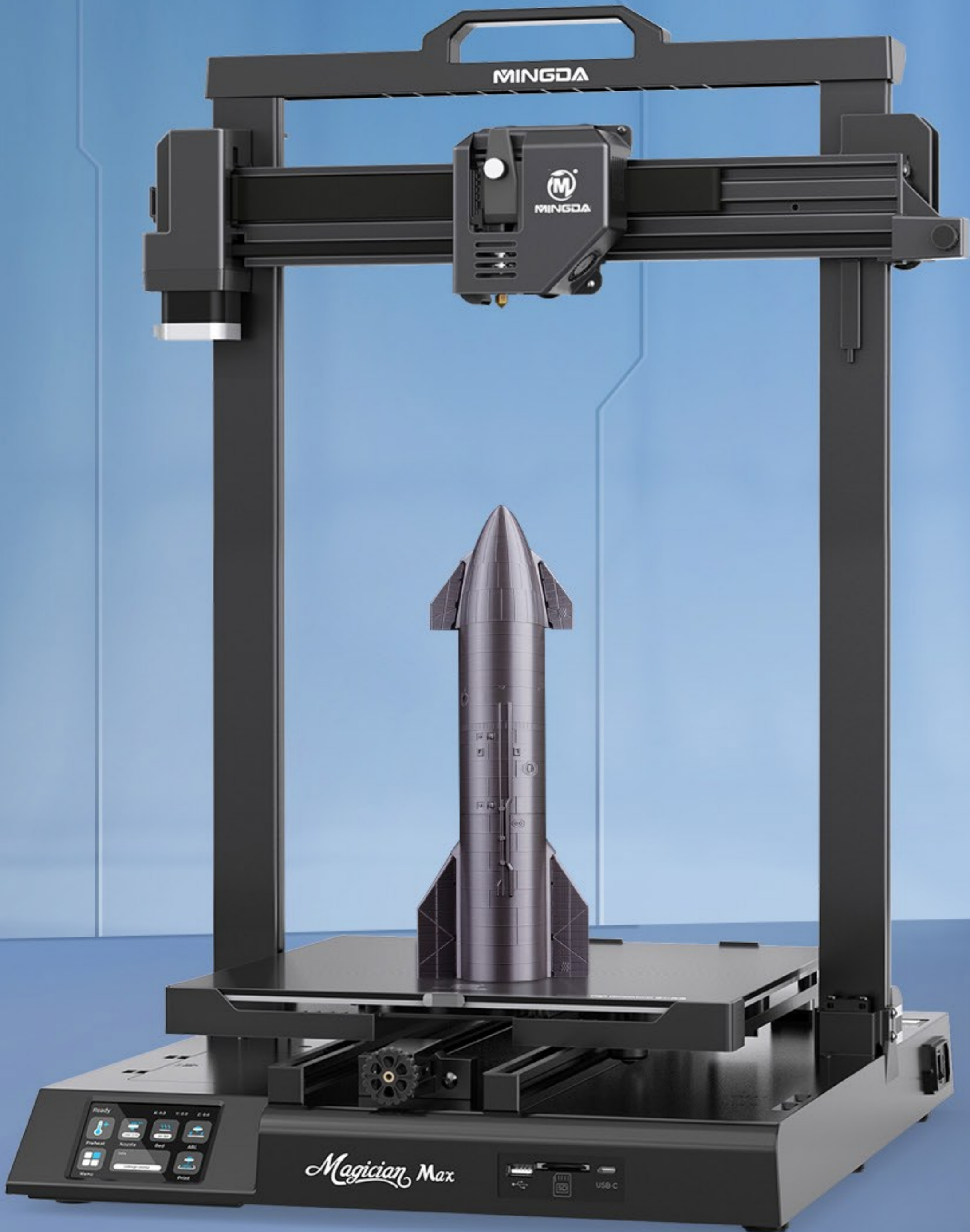


Magician Max

Fear of Leveling Choose Magician

Innovator of Smart Leveling

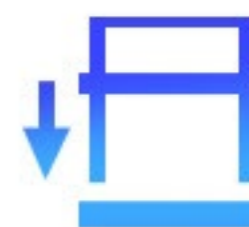




Free
Leveling



Double-Gears
Direct Extruder



One Step
Assembled



Ultra-Silent
Printing



Belt
Tensioner



4th Gen Carborundum
Glass Platform



3.5" Colorful
Touch Screen



High accuracy
BabyStep



All-In-One
Design

Large Print Size

320*320*400mm printing size



Free Leveling



Manual Leveling
by Screws



More Intelligent
& Convenient



Traditional
BL/3D Touch



Ready to Print

99%

pre-assembled

One step

to assemble



Double-Gears Direct Extruder



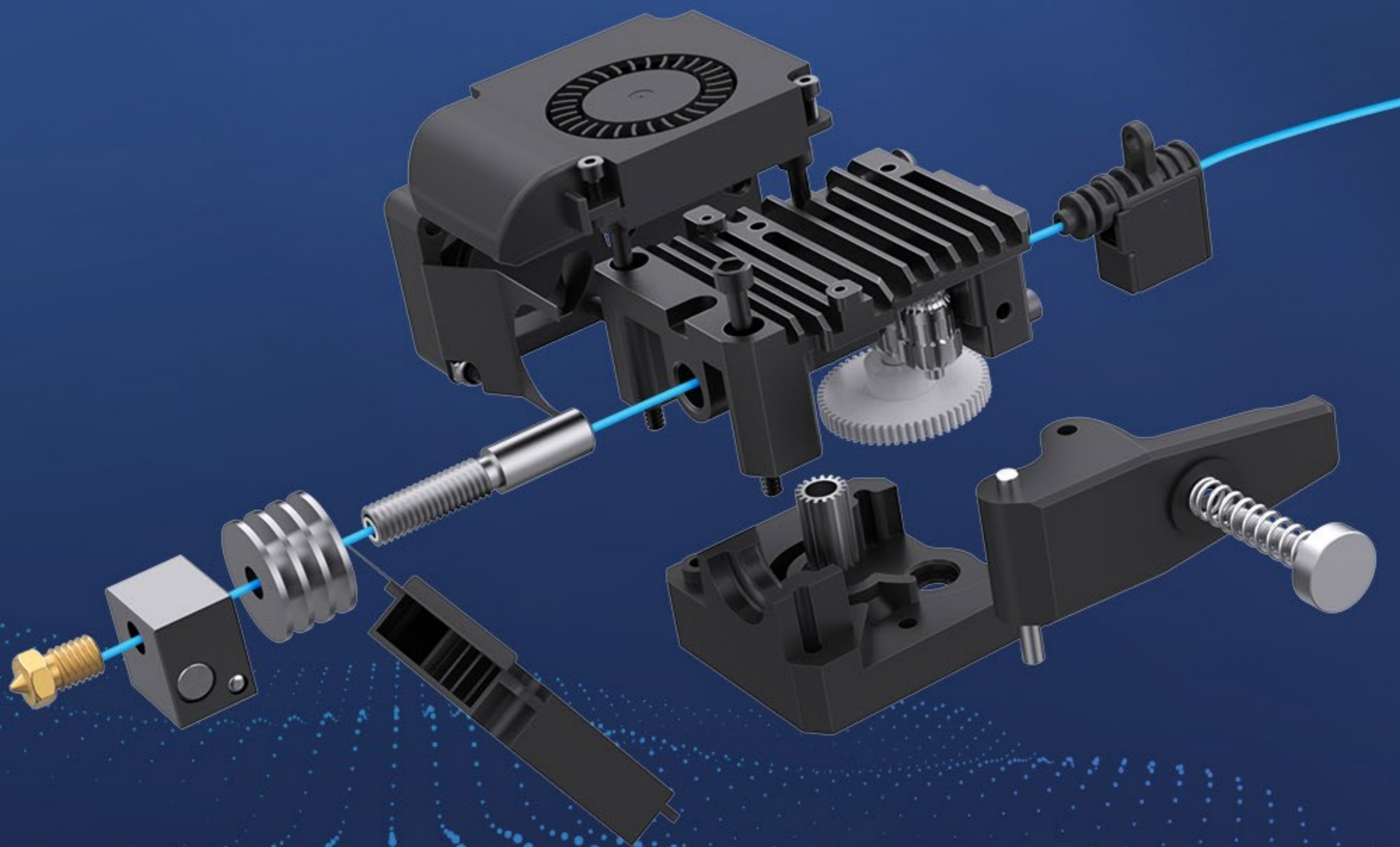
Double Gear
Extrusion Mechanism



Direct Drive

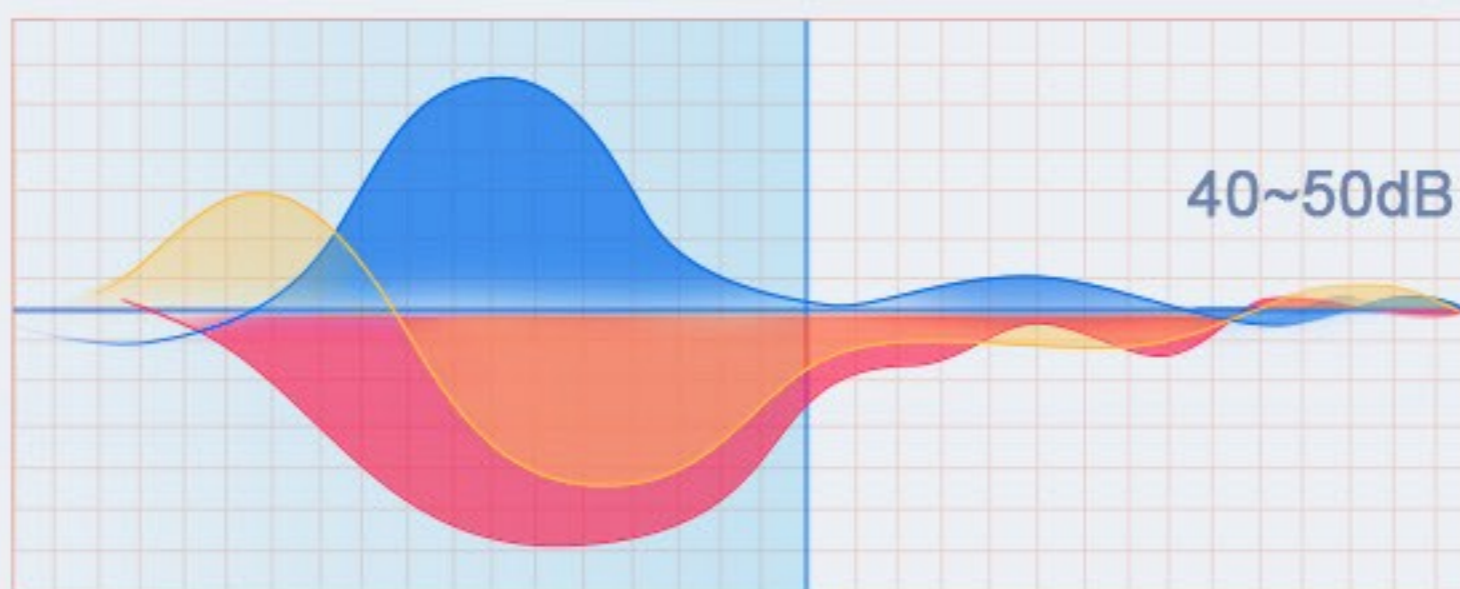


Modular Parts



Ultra-Silent Printing

Noise



Before

Noise reduction

After



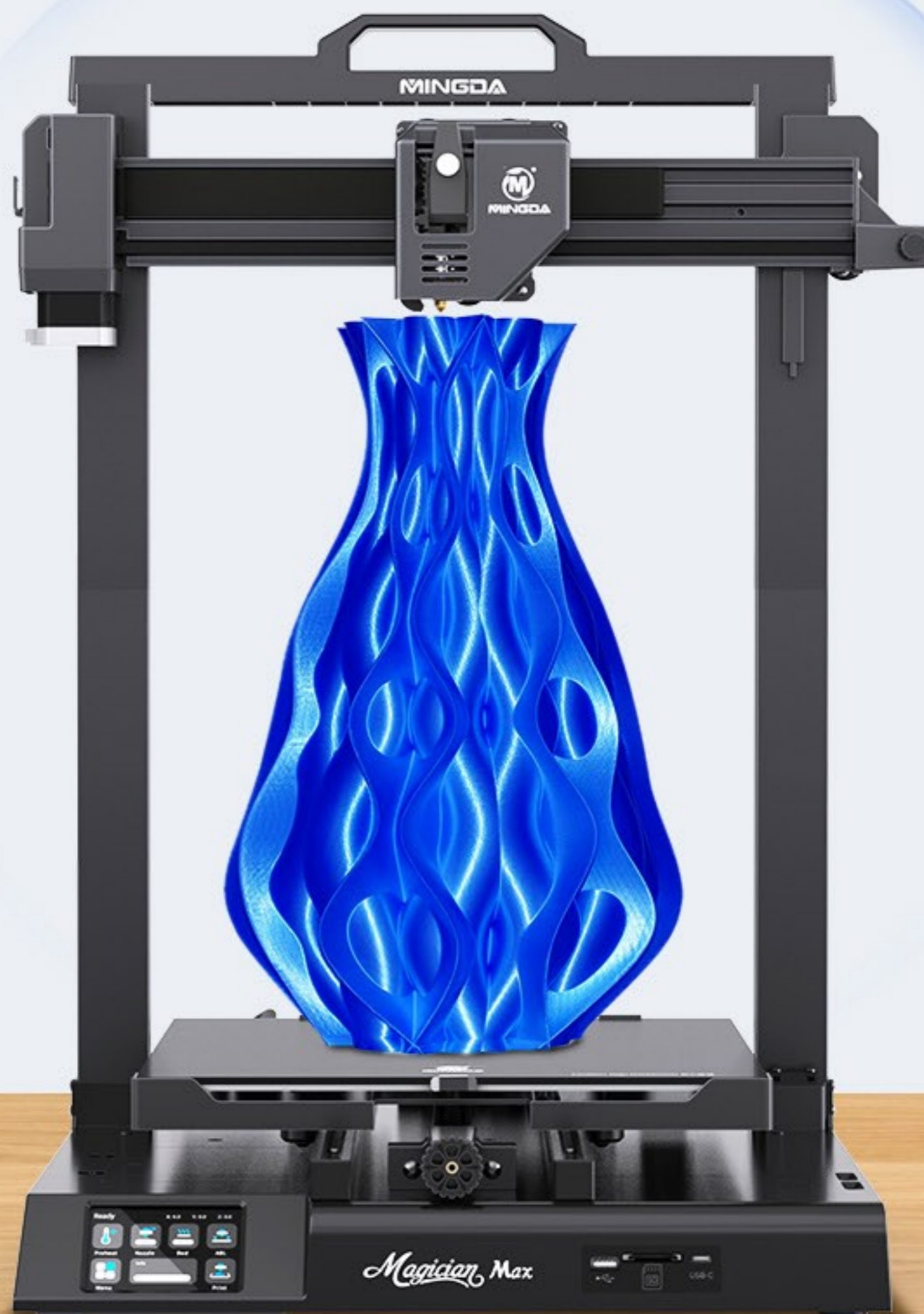
TMC
Silent Drivers



Upgraded
Fans of Extruder



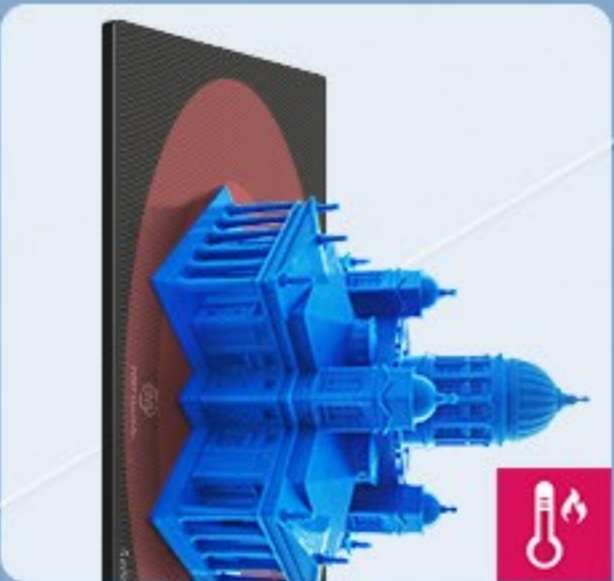
Modular
Mechanical Structure



4th Generation Carborundum Glass Platform



No Warping



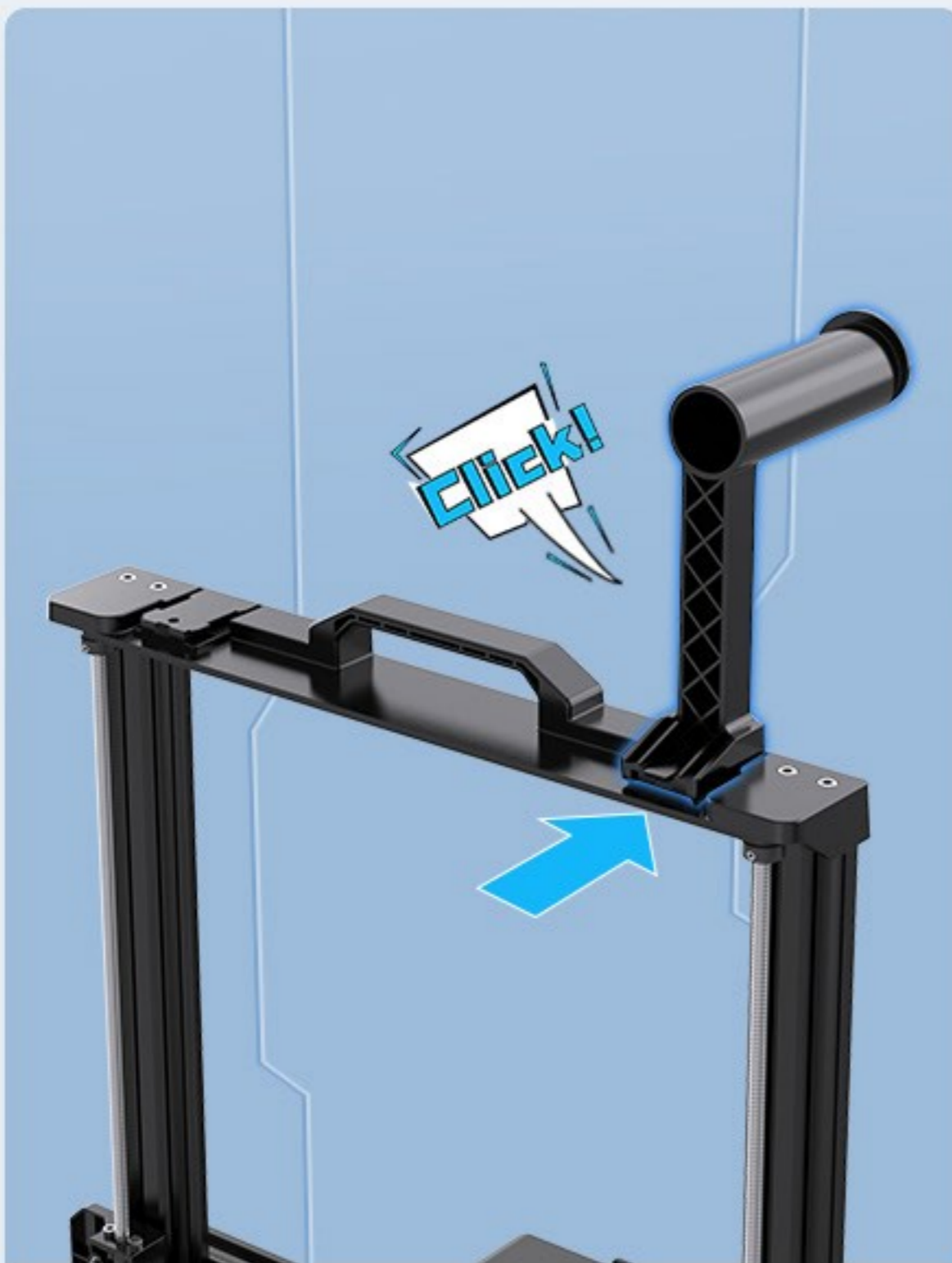
Strong Adhesion



Easy to Remove

Filament holder

Can be flexibly assembled on the left and right sides



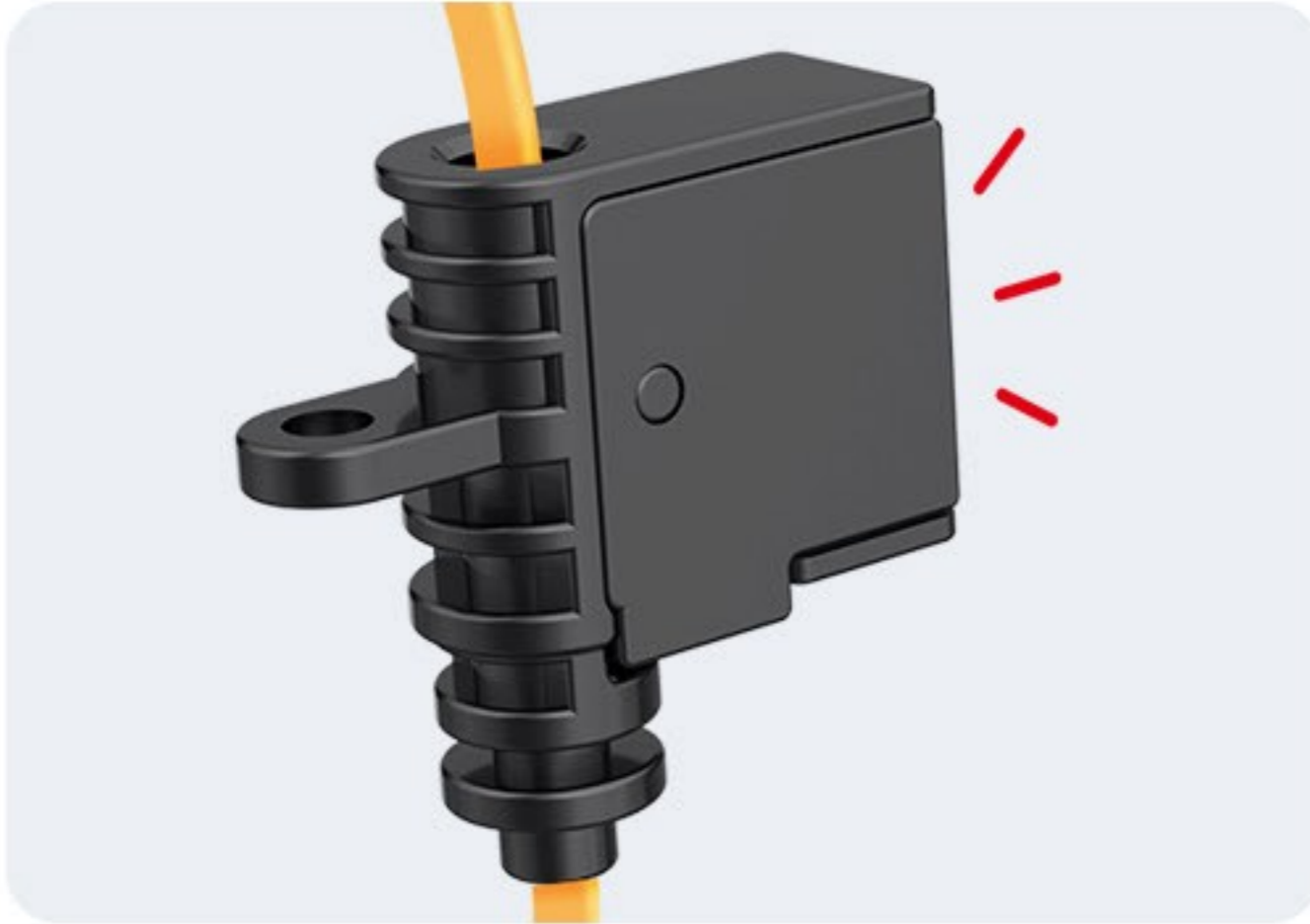
Left



Right

More Features

High Configuration & Cost-Effective.



Inside filament run out detector

Turn complex into simple, integrated design.

Dual Z-Axis with Synchronous Belt

Improve the accuracy, keep the "layer shift" away.

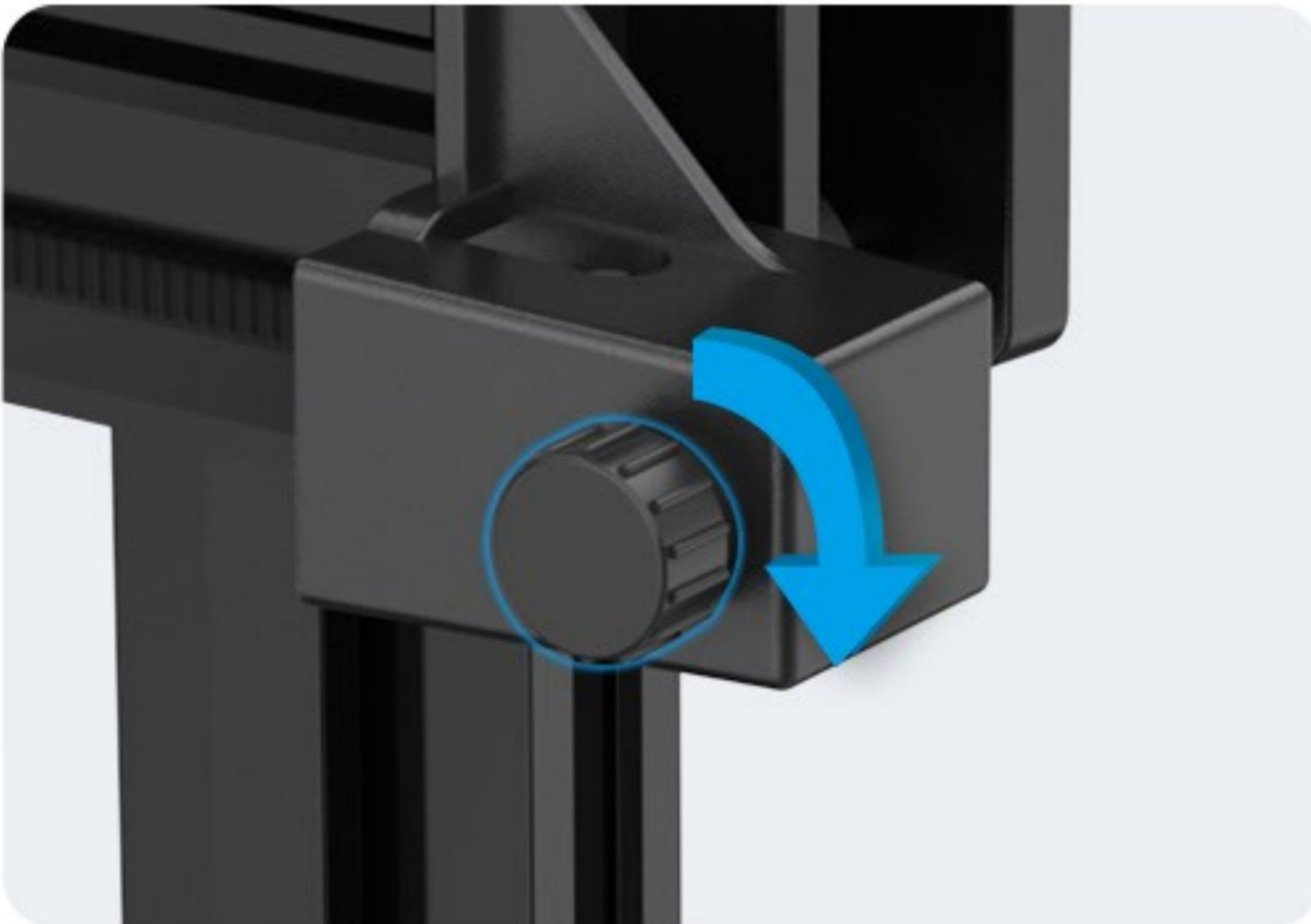


3.5 "color touch screen

Easy to operate, forget the knob control

Built-in tool box

Convenient storage after using the tool



Belt Tensioner on X/Y Axis

Adjust the belt tightness to avoid long-term use of the printer, the belt is loose.

Multi connection

Support SD card, USB and USB-C, supports online printing



Print parameters

Print parameters:

FDM (Fused Deposition Modeling)

Build Volume:

320(L)*320(W)*400(H)mm

Print Resolution:

± 0.1mm

Positioning Accuracy:

X/Y 0.0125mm, Z 0.002mm

Extruder Number:

Single

Nozzle Diameter:

0.4mm

Print Speed:

<200mm/s (recommended 60-80mm/s)

Support Filaments:

PLA, ABS, TPU

Temperature parameters

Ambient operating Temperature:

5°C - 40°C

Operational Nozzle Temperature:

max ≤260°C

Operational Hot Bed Temperature:

max ≤110°C

Physical parameters

Machine Size:

555mm*430mm*660mm

Machine Weight:

10kg

Package size:

687mm*565mm*265mm

Package weight:

12.5kg

Noise during printing:

40dB~50dB

Input voltage:

100/220 V AC, 50/60Hz

Output voltage:

24V/14.6A (350W)

Software parameters

Software parameters:

Cura, Reptier-Host, Simplify3D

Input Formats:

.STL, .OBJ

Output Formats:

GCODE

Connection Mode:

SD Card, U Disk, USB-C

Why Choose MINGDA 3D?

12+
Years

Experience in
3D printing



100+
Countries

Are served



300+
R&D

Committed to
innovation



50,000+
Hours

Rigid tests are
conducted



24/7

Accessibility

Around-the-clock
service



1. Brand Advantages



2. Team Advantage



3. Service Advantages



4. Technical Advantages

Join MINGDA, win promotion and get prosperity.

MINGDA Reseller Program

CNC Process Workshop



Assembly Workshop



Testing Workshop



Reliable Package



Fast Shipment



MINGDA Sales Team



Welcome to join us!

MINGDA has 12-years of 3D printer production experience, an advanced R&D team, a complete after-sales system, excellent product quality, and competitive marketing prices. Now, we are looking for agents all over the world.