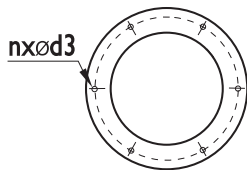
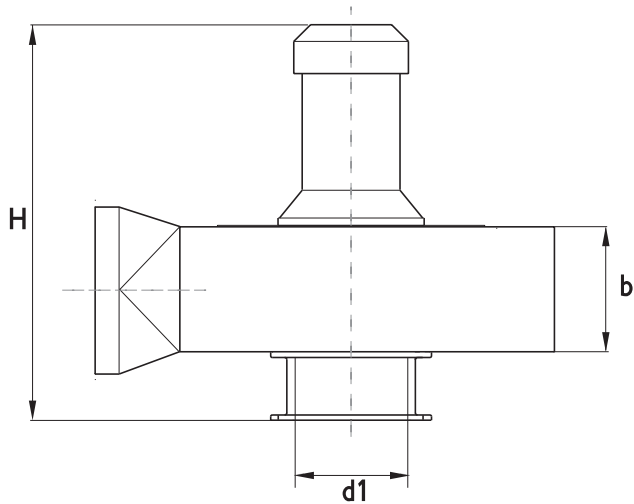
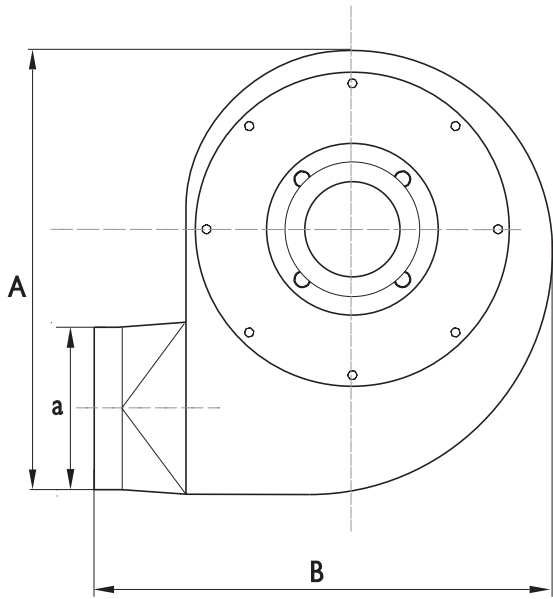


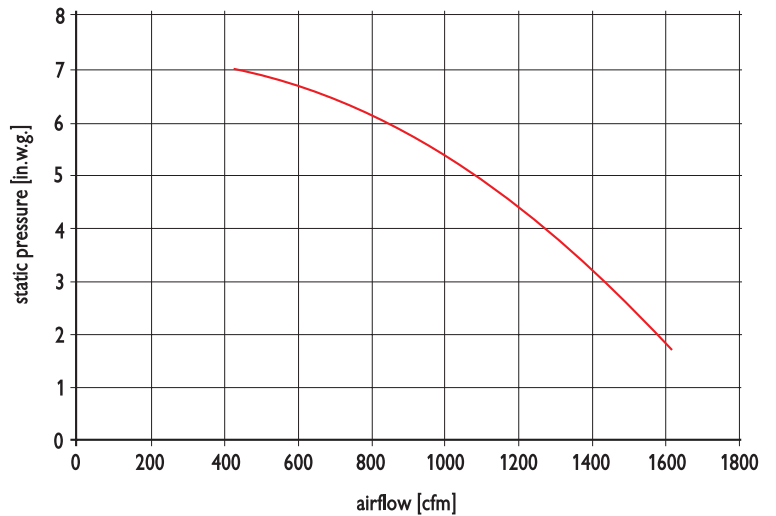
# Backward Inclined Blade Fans model: ZWR03 - 1.5HP - 60Hz

## part no: ZWR03

Backward Inclined Blade Fans are units with radial impellers with backward curved blades. Fans are designed for nonexplosive and chemically nonaggressive air and gases. Temperature of air should not exceed 104°F. These units can be used for polluted air and light dusts but should not be used to exhaust solid parts. Fans are constructed of powder coated welded sheet iron. They have aluminium impellers which are mounted directly on the motor shaft. The fan inlet has duct connection collar. See technical data table for fan/motor specifications.



ZWR-03 1.5HP-60Hz part no. ZWR03		
Motor		
Power supply	[V] / [Hz]	110/60
Power	HP	1.5
Rotation	[rpm]	3600
Insulation class	-	F
Protection	-	IP54
Dimensions		
A	[in]	20.2
B	[in]	22.6
H	[in]	13.23
a	[in]	6.22
b	[in]	5.86
Ød1	[in]	6.3
nxØd3	[in]	6x0.35
Nema frame:	-	56C



Date:	Engineer:	Comments:
Project:	Submitted by:	
Contractor:	Location:	
Architect:	Completion Date:	