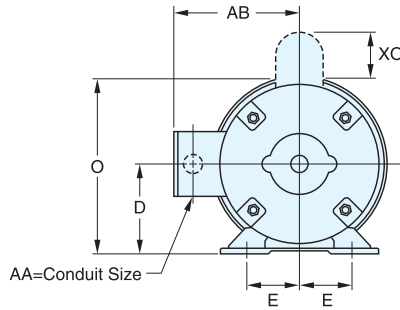
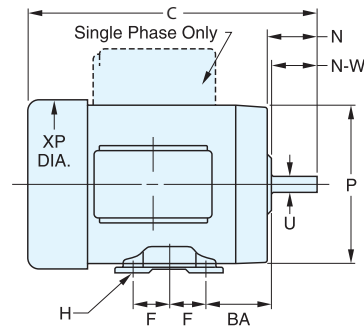


Technical Information

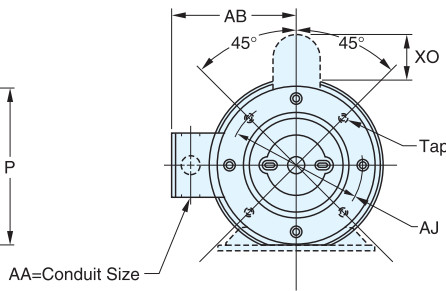
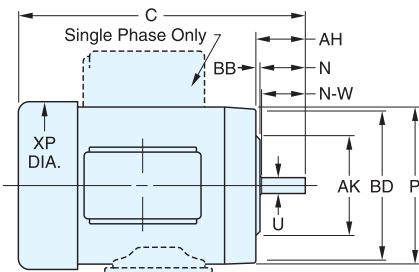
Dimensions - NEMA® Steel Frame Motors

RIGID MOUNT



The condensed dimensions shown on these pages are for general reference only and are not for construction. The overall length or "C" dimension for each catalog item is included in this catalog. Certified drawings of all ratings are available for construction purposes.

C FACE



NEMA SHAFT AND KEYWAY DIMENSIONS ▲ (Inches)

NEMA SHAFT (U)	KEYWAY DIMENSIONS		NEMA SHAFT (U)	KEYWAY DIMENSIONS	
	(R)	(S)		(R)	(S)
3/8	21/64	FLAT	1-7/8	1-19/32	1/2
1/2	29/64	FLAT	2-7/8	1-27/32	1/2
5/8	33/64	3/16	2-7/8	2-1/64	5/8
7/8	49/64	3/16	2-1/2	2-3/16	3/4
1-1/8	63/64	1/4	2-7/8	2-29/64	3/4
1-3/8	1-13/64	5/16	3-3/8	2-7/8	7/8
1-7/8	1-19/32	3/8	3-7/8	3-7/16	1

▲ S is keyway width.
U minus R is keyway depth.

NEMA STEEL FRAME DIMENSIONS (Inches)

Frame Size ▲	D	E	F	H	N	O	P	U	N-W	AA	AB	AH	AJ	AK	BA	BB	BD	XO	XP	TAP **	KEY	
42	2 3/8	1 3/4	27/32	9/32 Slot	1 7/16	5 1/16	4 7/8	3/8	1 1/8	3/8	4 1/2	1 7/16	3 3/4	3	2 1/16	1/8	4 7/8	1 5/8	5 1/8	1/4-20	3/64 Flat	
48	3	2 1/8	1 3/8	11/32 Slot	1 9/16	5 9/16	5 9/32	1/2	1 1/2	1/2	4 7/8	1 11/16	3 3/4	3	2 1/2	1/8	5	2 1/4	5 7/8	1/4-20	3/64 Flat	
S56	3 1/2	2 7/16	1 1/2	11/32 Slot	1 5/16	6 7/16	5 9/32	5/8	1 7/8	1/2	4 7/8	2 1/16	5 7/8	4 1/2	2 3/4	1/8	6 1/2	2 1/4	5 1/8	3/8-16	3/16	
56						6 3/16	6 9/32				5 1/16											
143T	3 1/2	2 3/4	2 1/2	11/32	2 3/8	6 3/16	6 9/32	7/8	2 1/4	3/4	5 1/16	2 1/8	5 7/8	4 1/2	*2 1/4	1/8	6 1/2	2 1/4	7 7/32	3/8-16	3/16	
145T															7 1/2							
182T	4 1/2	3 3/4	2 1/4	13/32	2 7/8	8 7/4	8 9/32	1 1/8	2 1/4	3/4	6 7/16	2 5/8	7 1/4	8 1/2	*2 3/4	1/4	8 7/8	2 1/4	9 1/32	1/2-13	1/4	
184T															8 1/2							
S213T	5 1/4	4 1/4	2 3/4	13/32	3 1/2	9 27/32	8 9/32	1 3/8	3 3/8	3/4	7 9/32	3 3/8	7 1/4	8 1/2	*3 1/2	1/4	8 7/8	2 1/4	9 1/32	10 9/16	1/2-13	5/16
213T			2 3/4														8 7/8					
215T			3 1/2														8 7/8					

* 143-5TC NEMA C face BA dimension is 2 3/4". 182-4TC NEMA C face BA dimension is 3 1/2". 213-5TC NEMA C face BA dimension is 4 1/4".
 ** * 326TC and smaller have 4 mounting holes in NEMA C face, 364TC and larger have 8 mounting holes.
 ▲ Blue shading denotes dimensions established by NEMA standard MG1, others are unique to LEESON, and will vary with each manufacturer.

Pedestal Fan Motors

Note: Motors with U = .625 have a 3/16" keyway.

