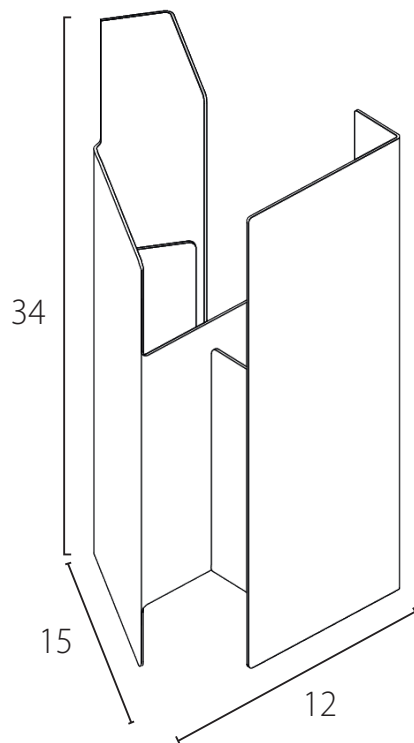


## TECHNICAL SHEET



### M-E.340

fugit VASE

### MATERIAL

metal and pyrex glass

MATTE



light grey black sage green cotto petrol green blue



### M-E.340.M

fugit *metal* VASE

### MATERIAL

metal and pyrex glass

METAL



matte bronze polished white nickel polished black nickel