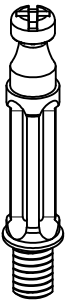


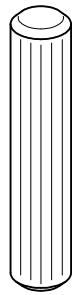
ASSEMBLY INSTRUCTION



MAZE TV STAND



X12



X12



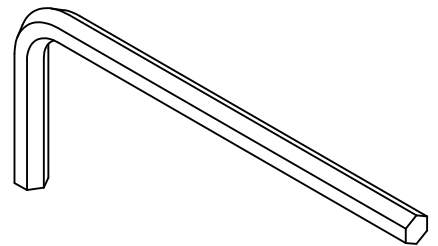
X12



X8



X8

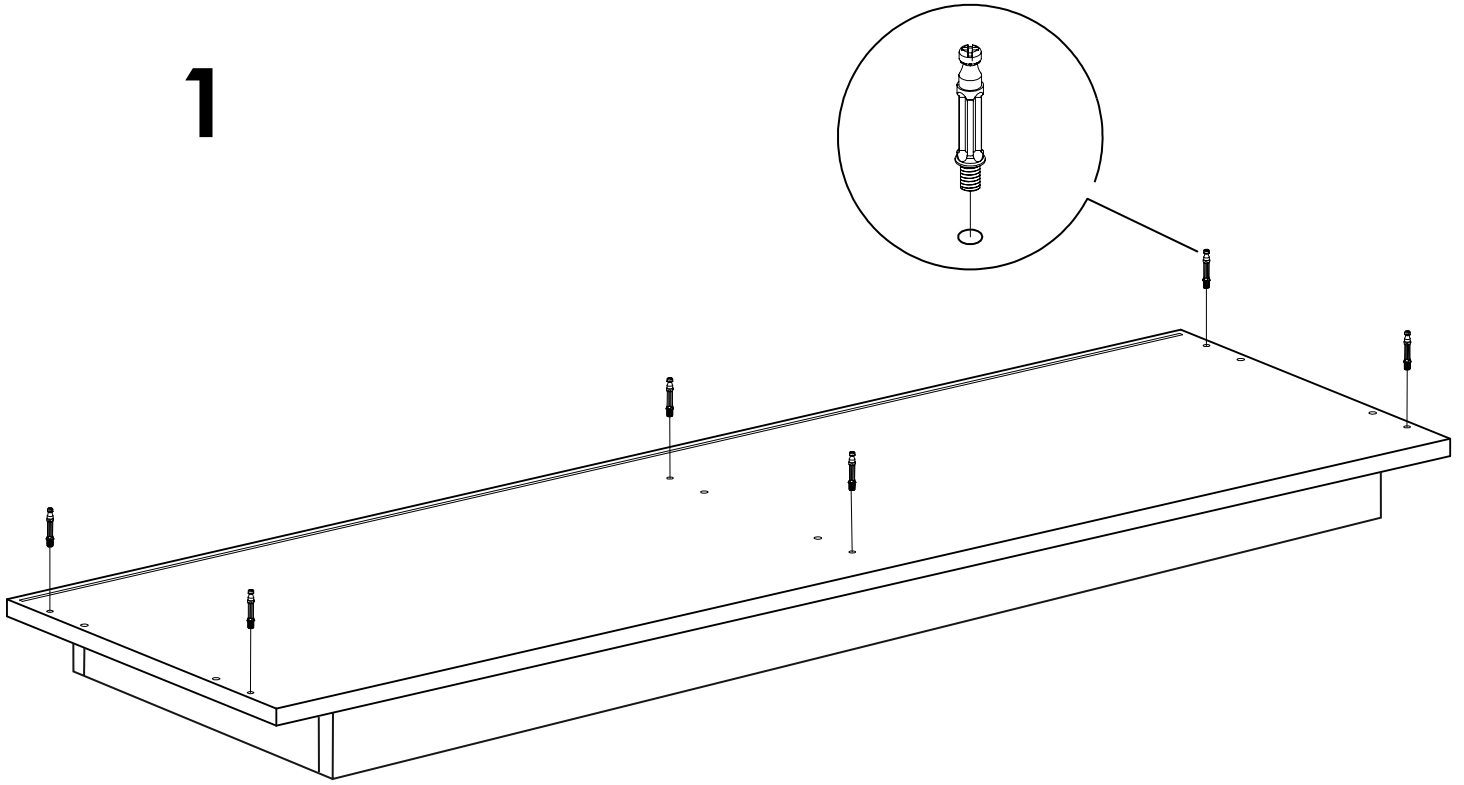


X1

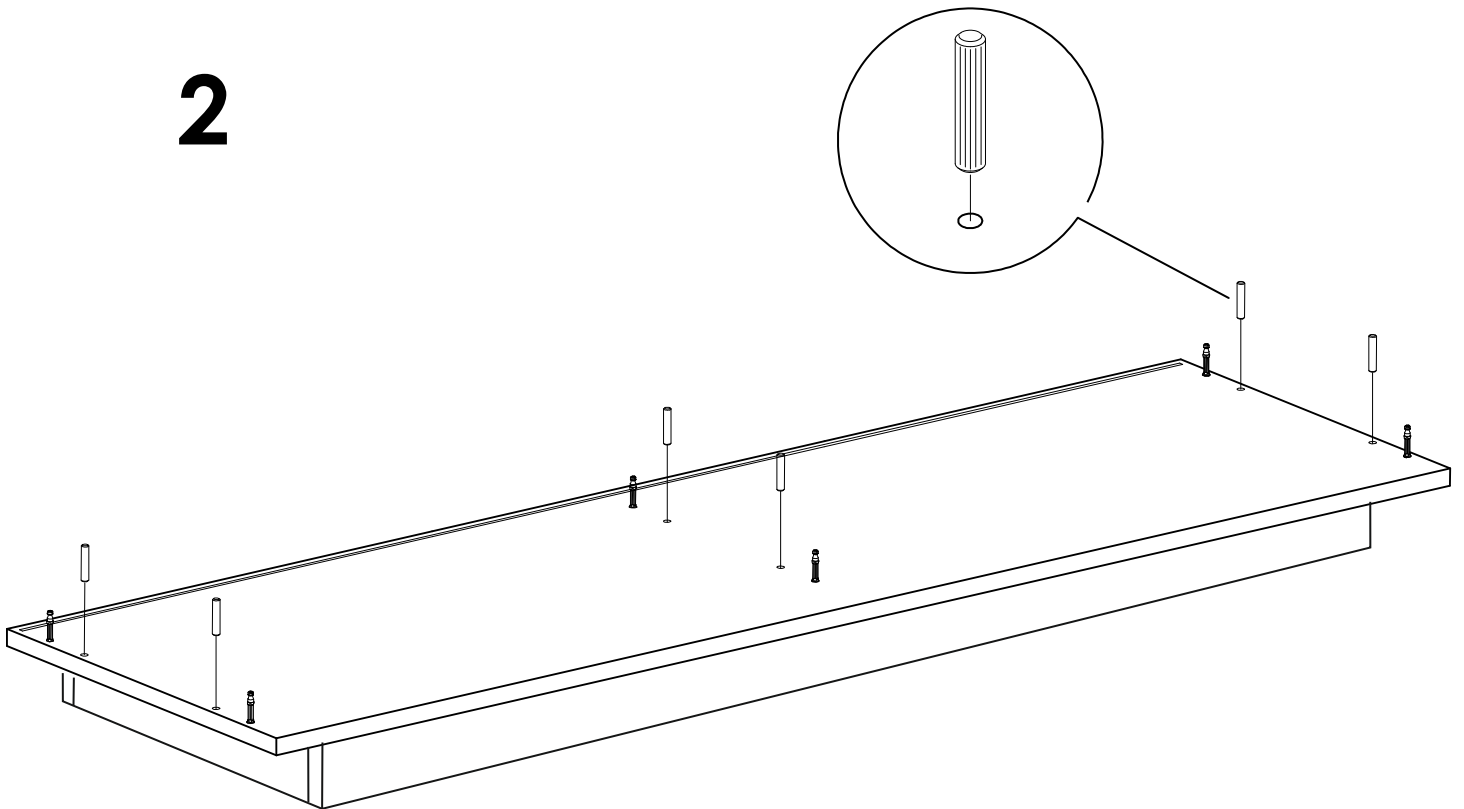


X8

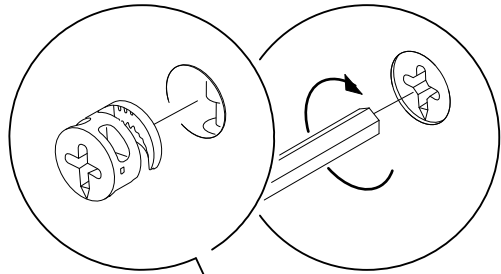
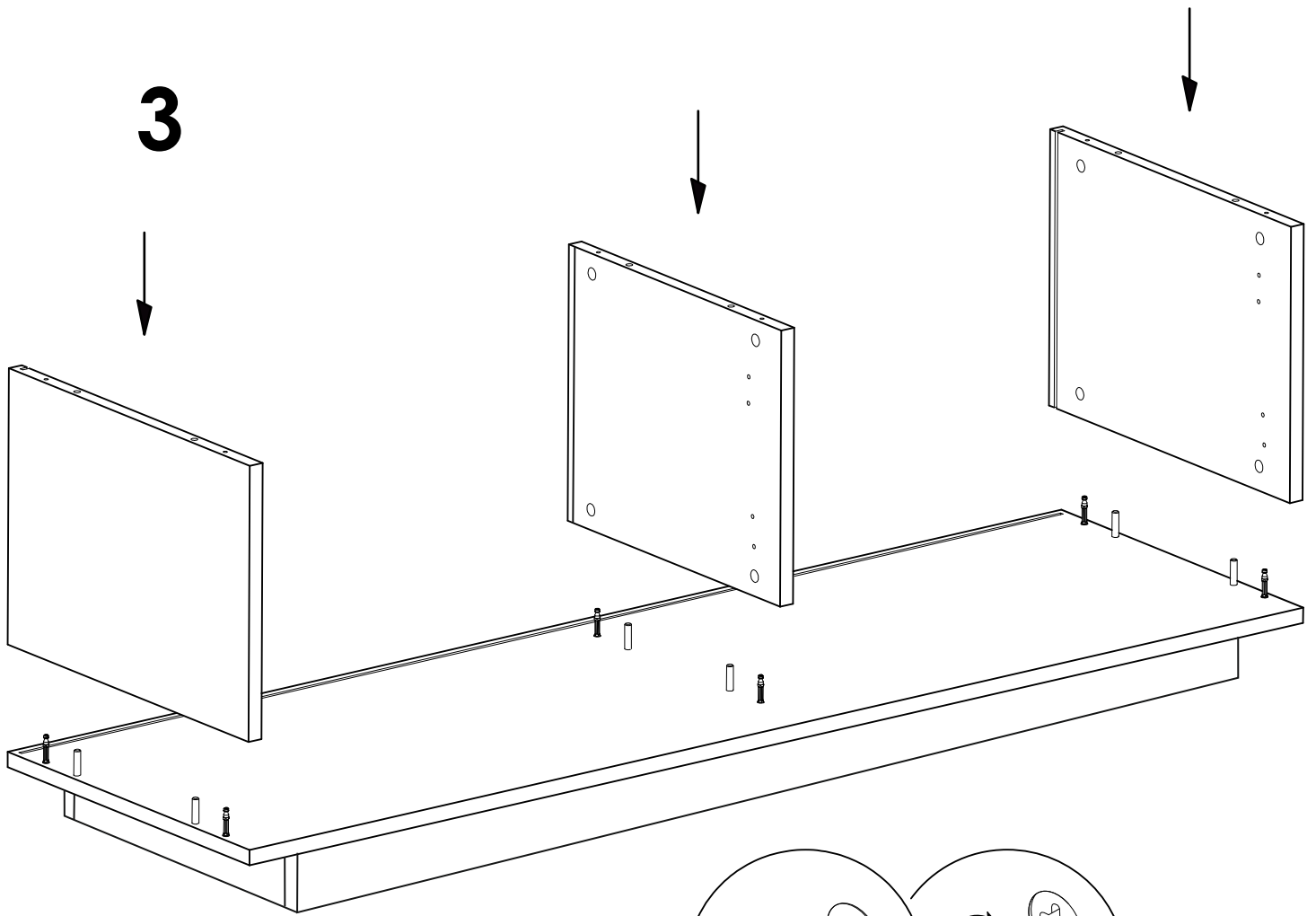
1



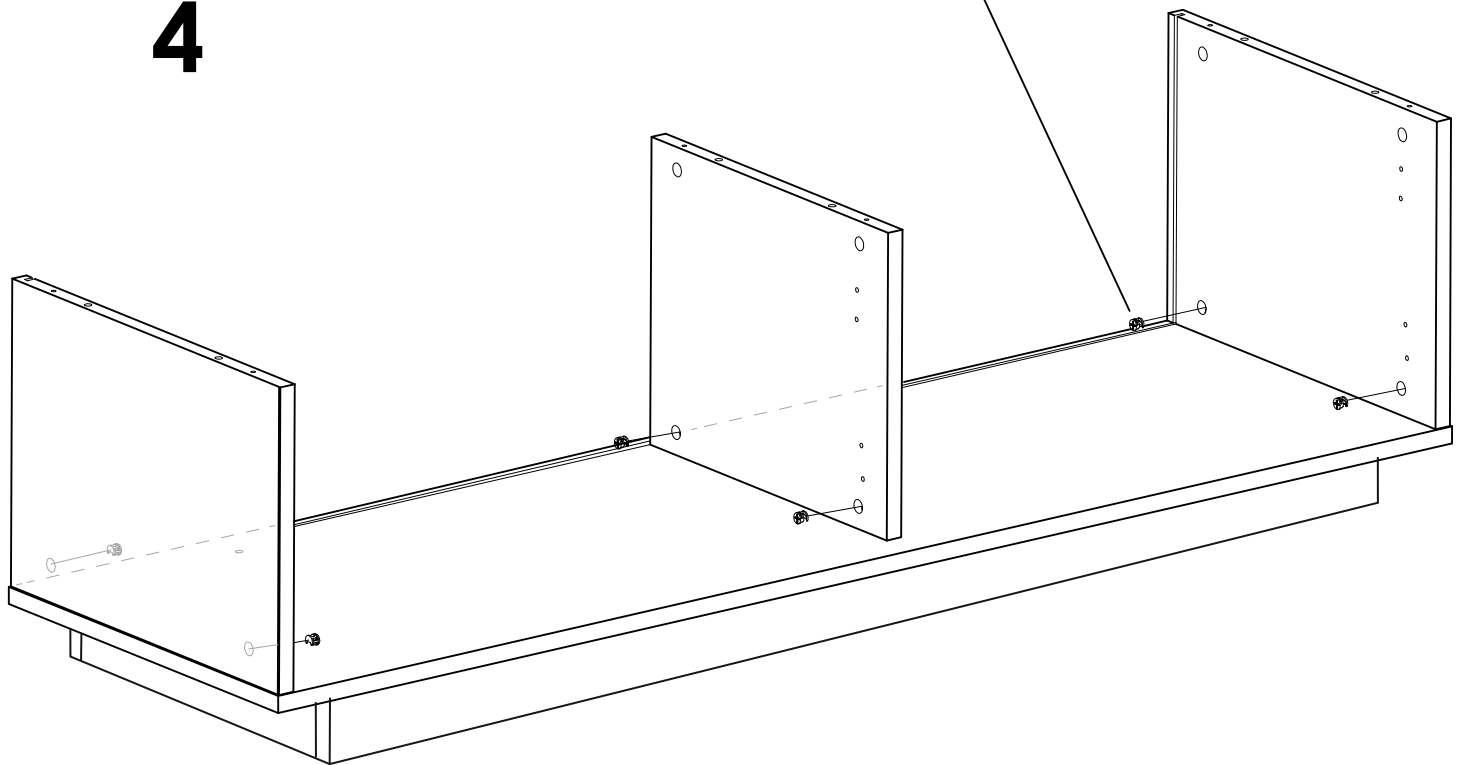
2

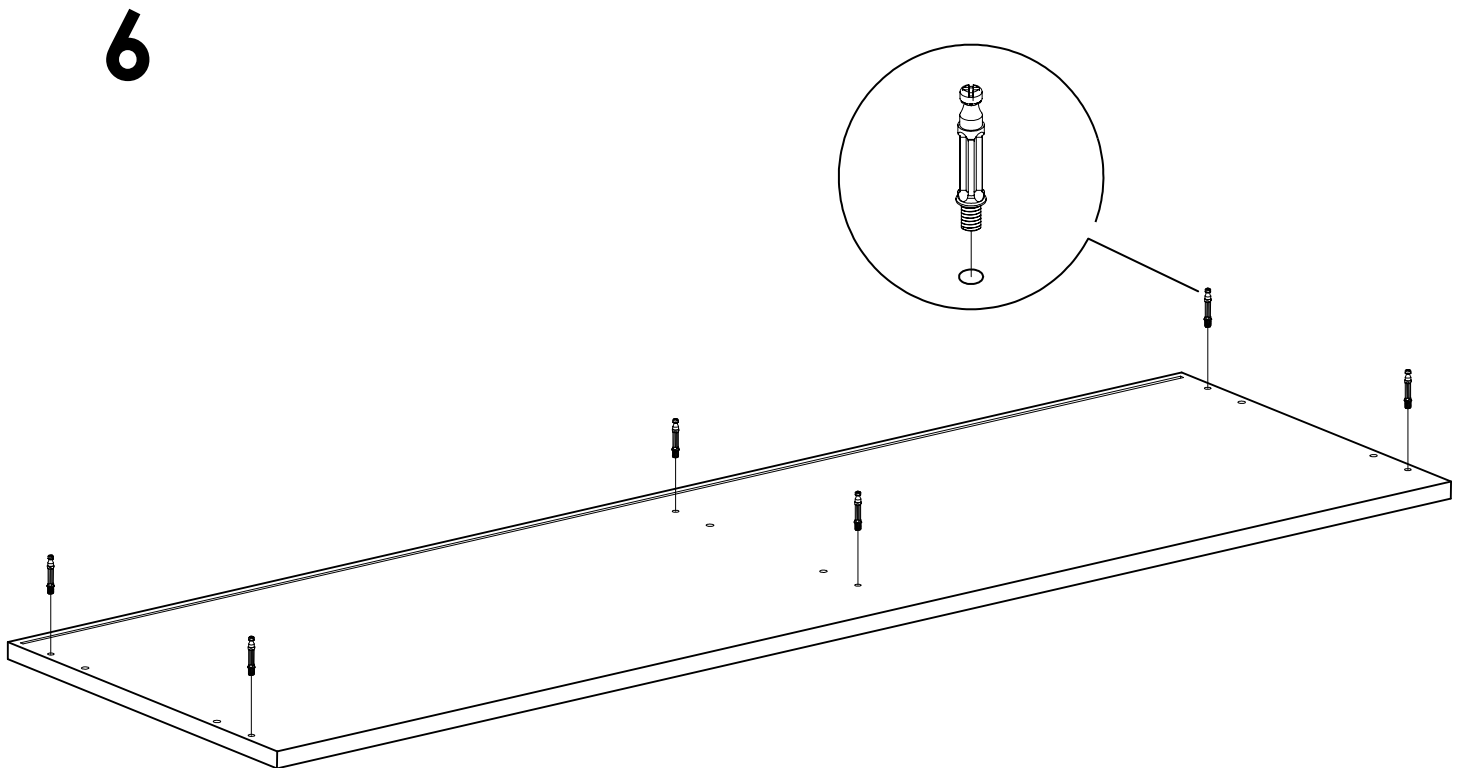
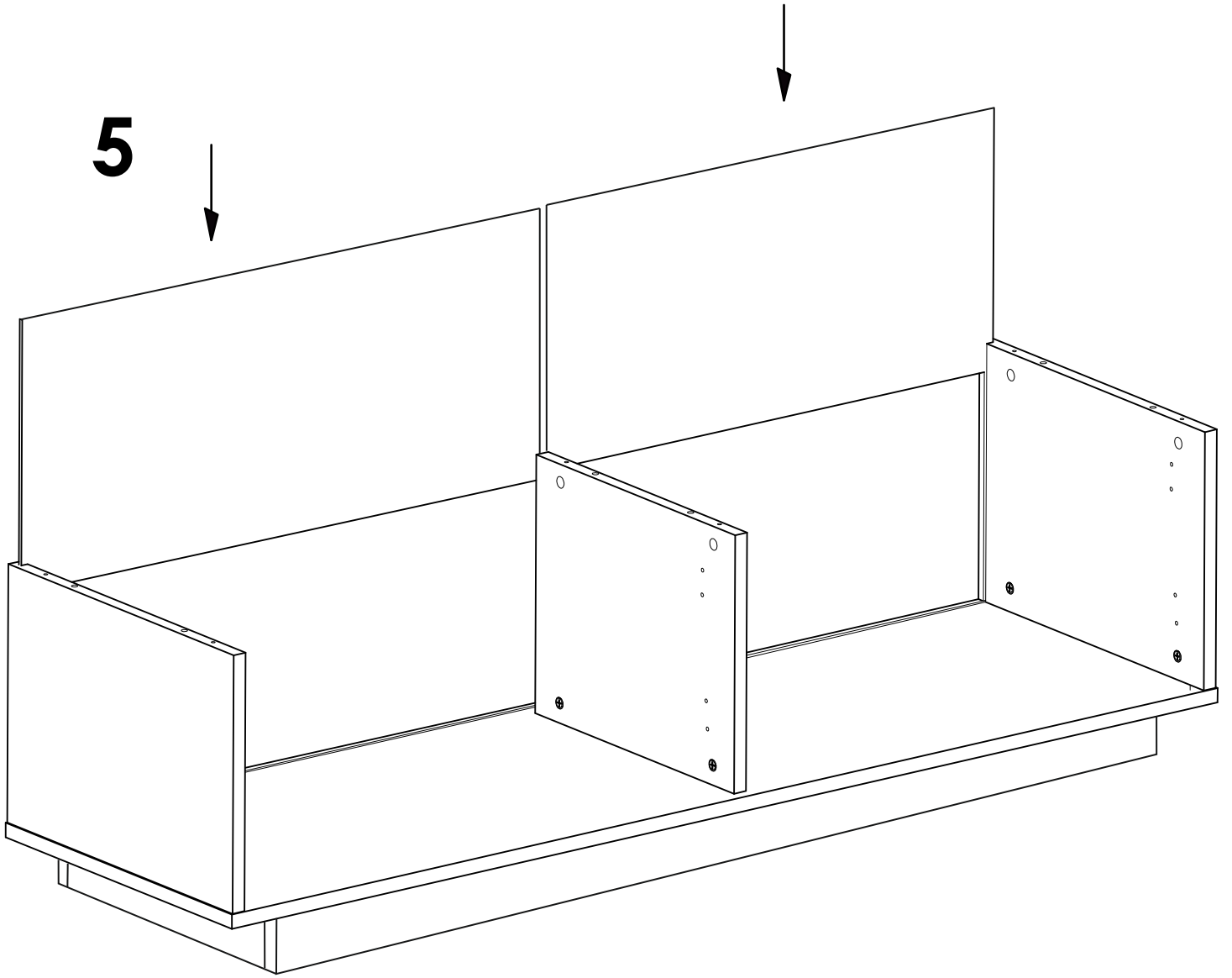


3

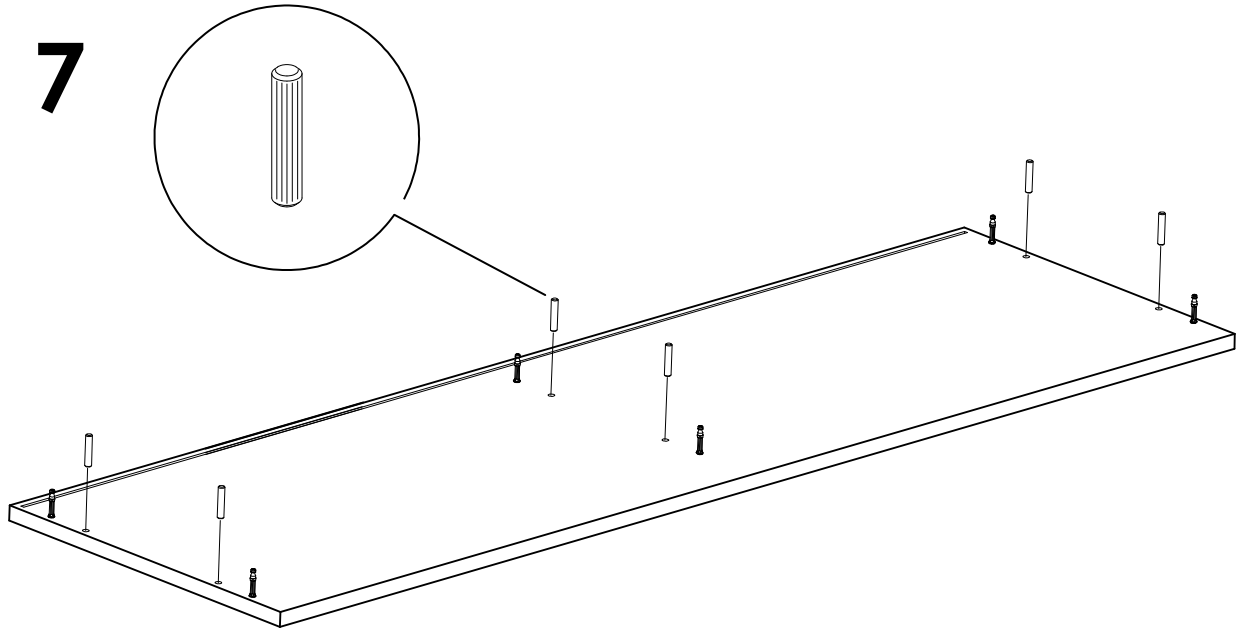


4

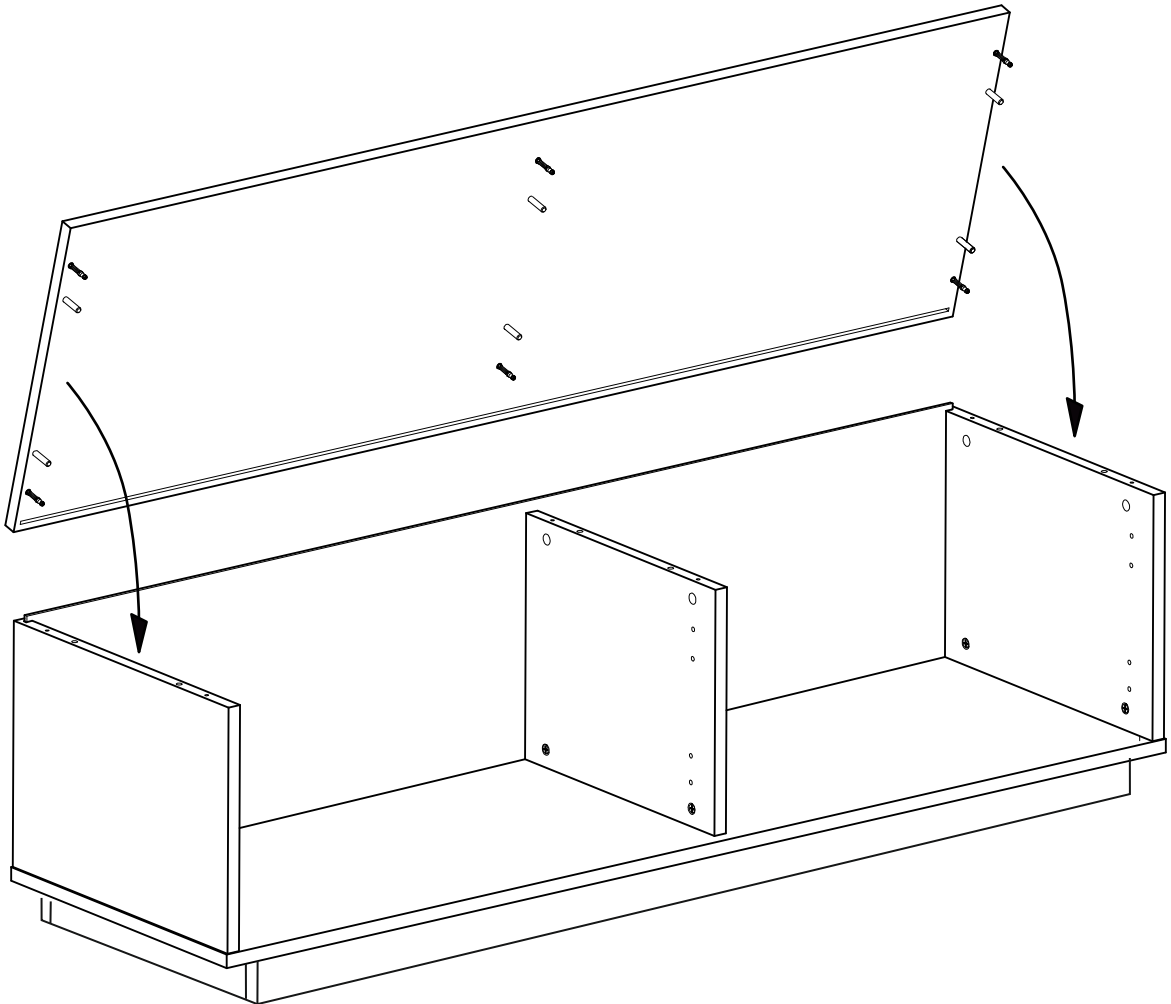




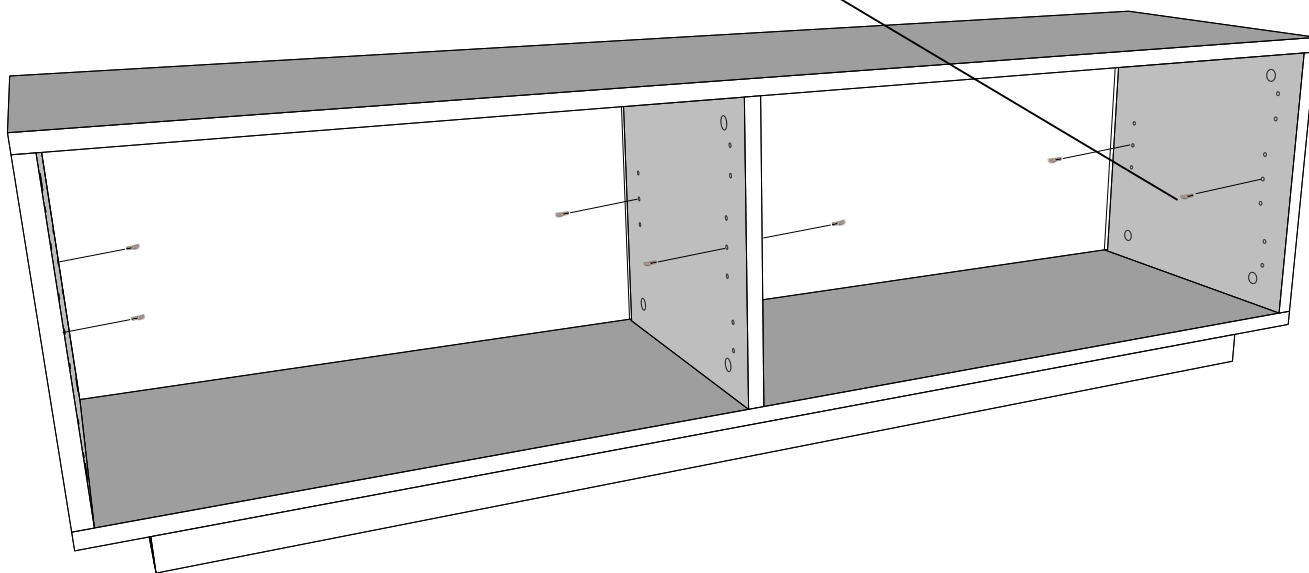
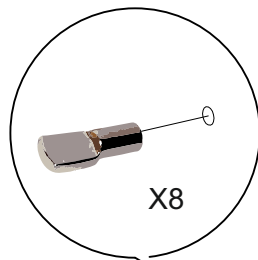
7



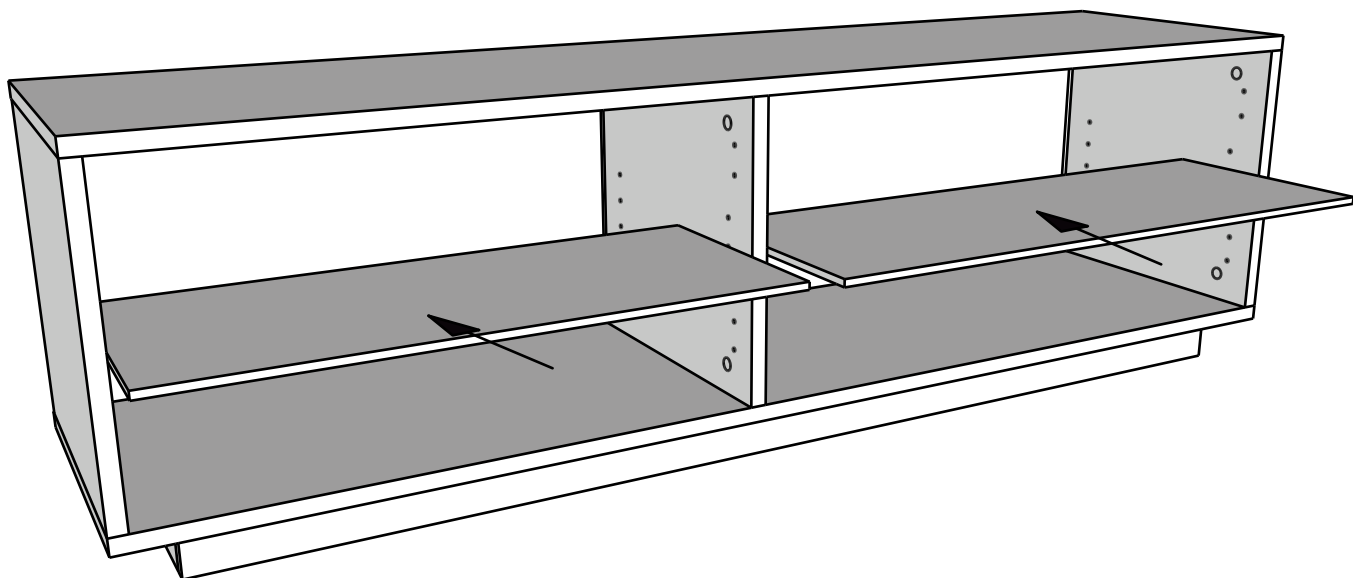
8



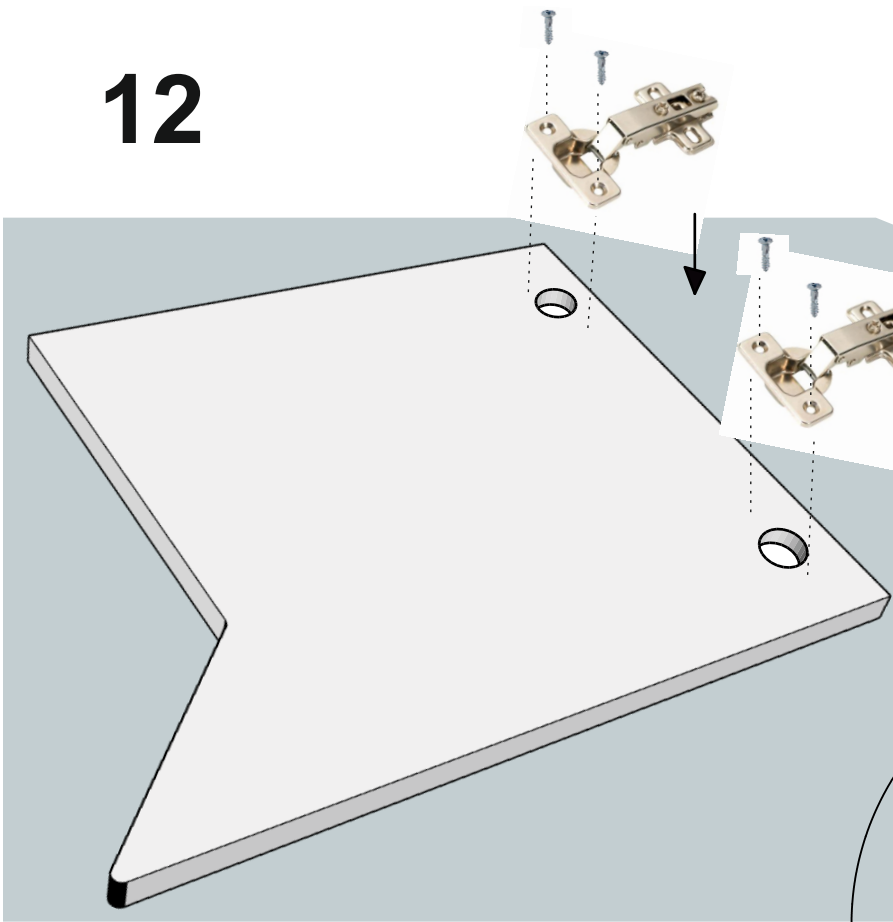
10



11



12



IMPORTANT:
FOR CENTER DOORS USE HINGES
THAT HAVE SMALL 11MM SCREWS

13

