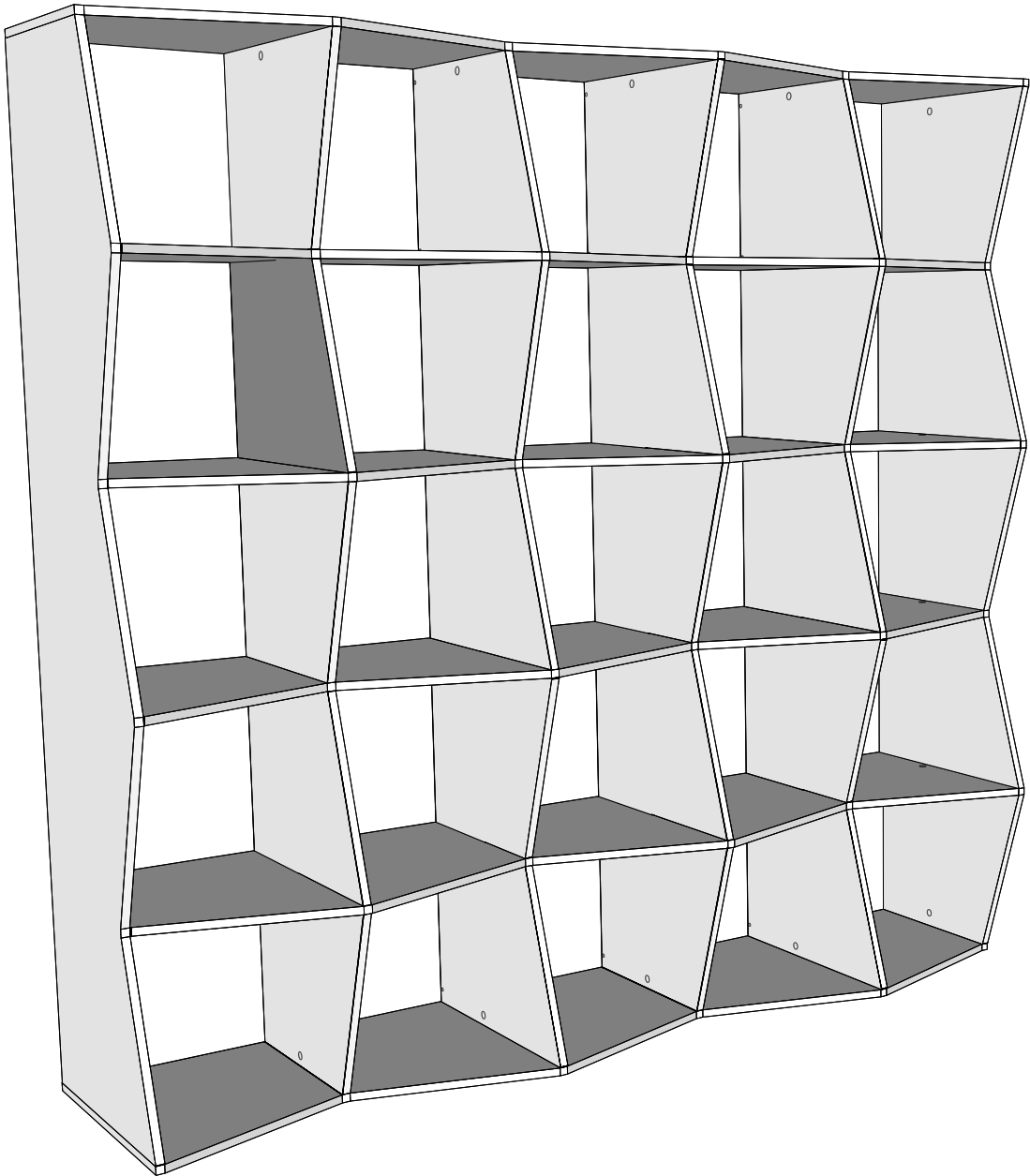
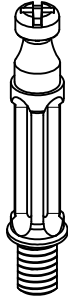


## ASSEMBLY INSTRUCTION

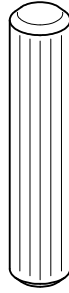


# Mesh Bookshelf

**For MESH 2x5 and 5x5**



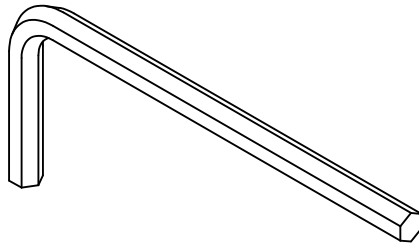
2x5 - X14  
5x5 - X20



2x5 - X36  
5x5 - X56

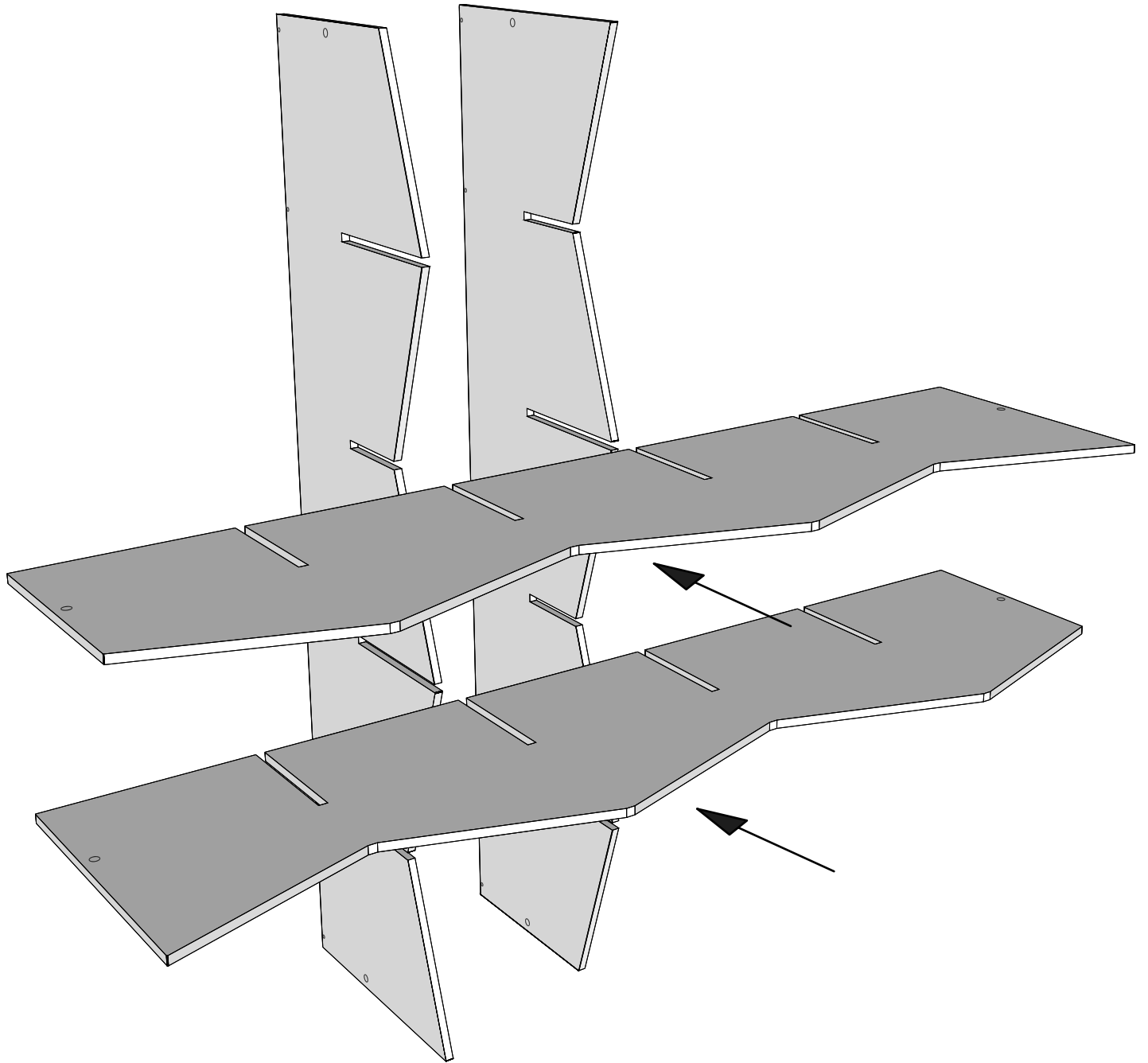


2x5 - X14  
5x5 - X20

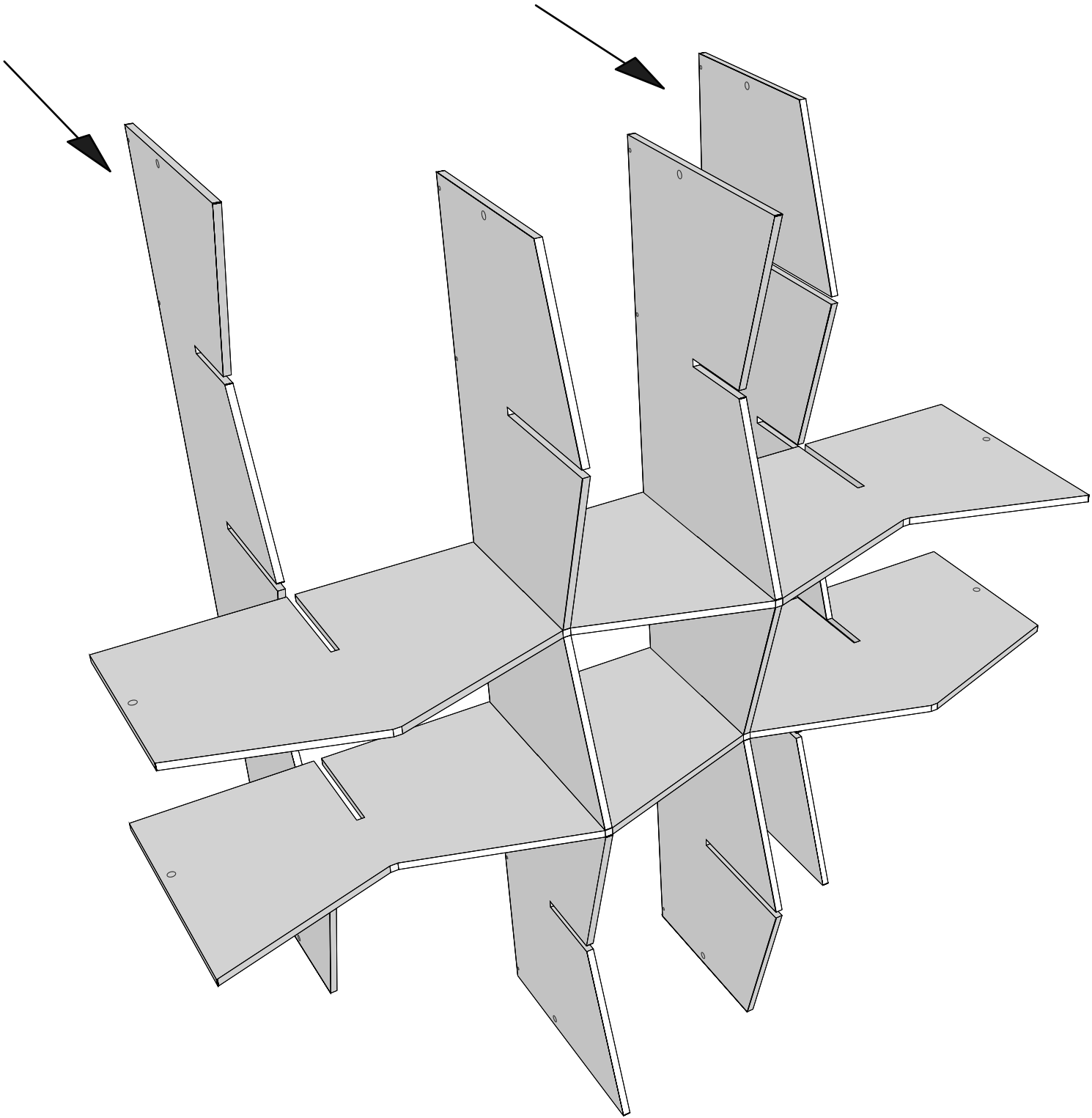


X1

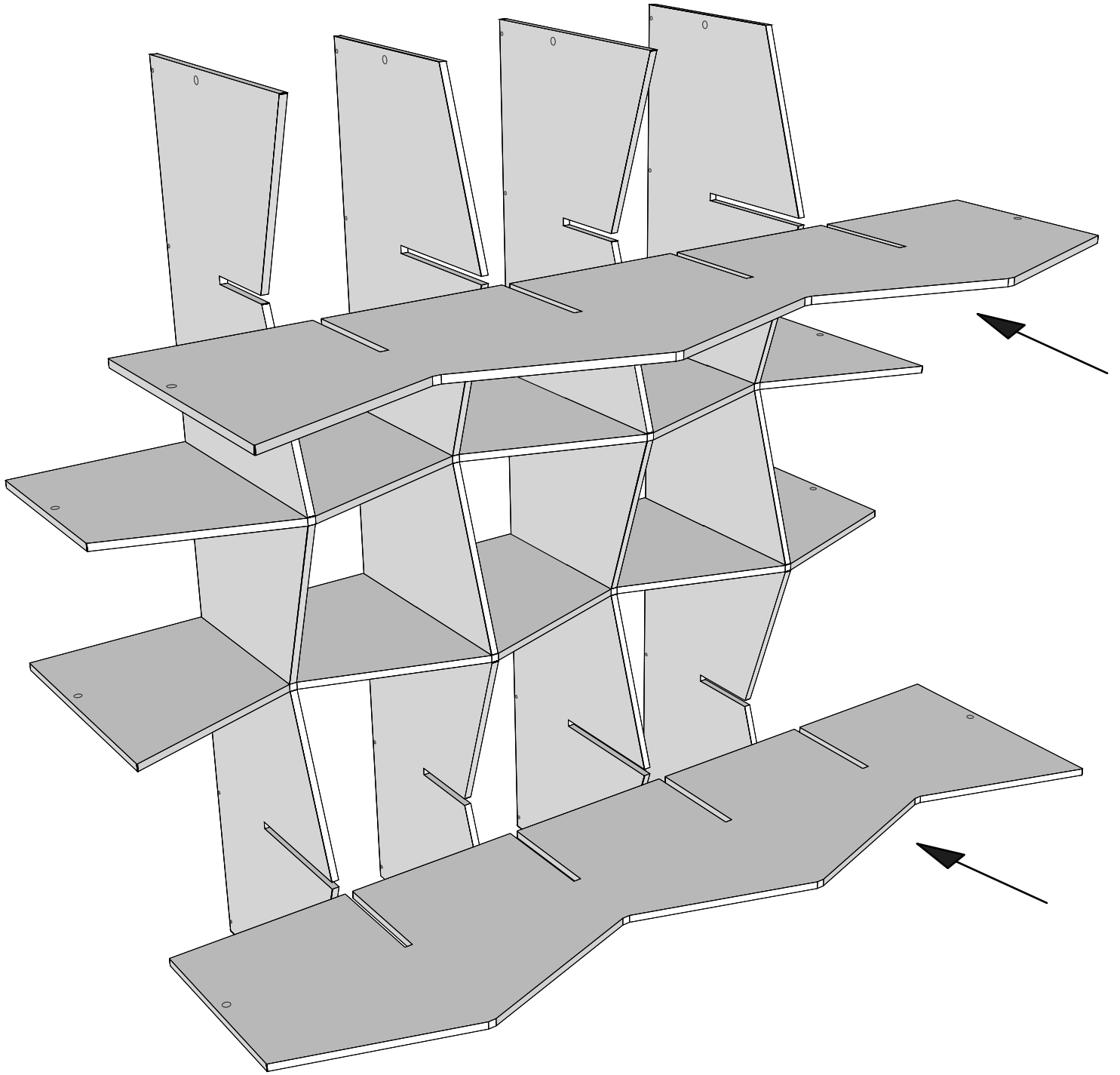
1



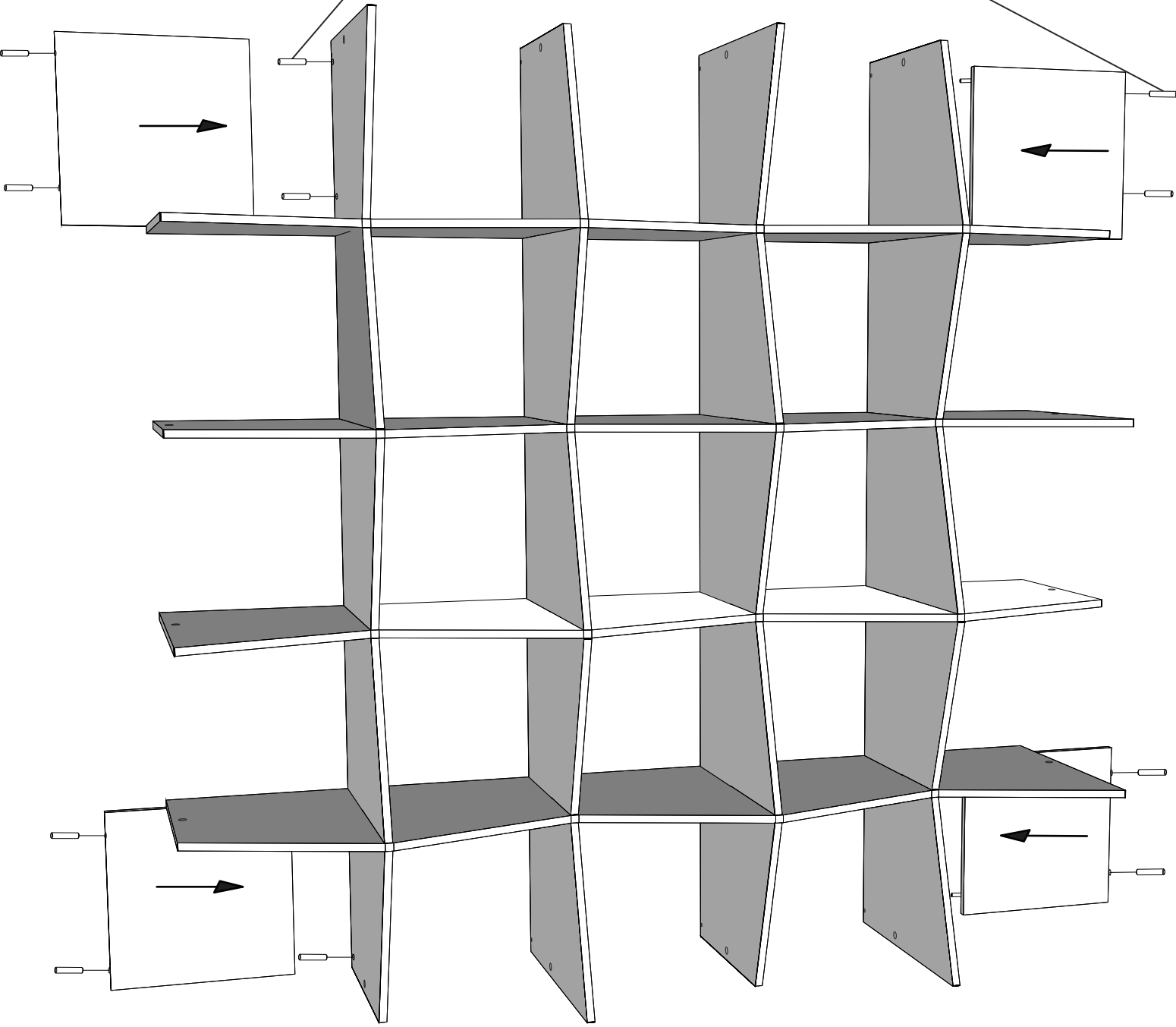
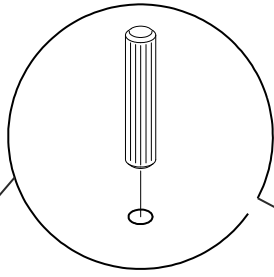
2



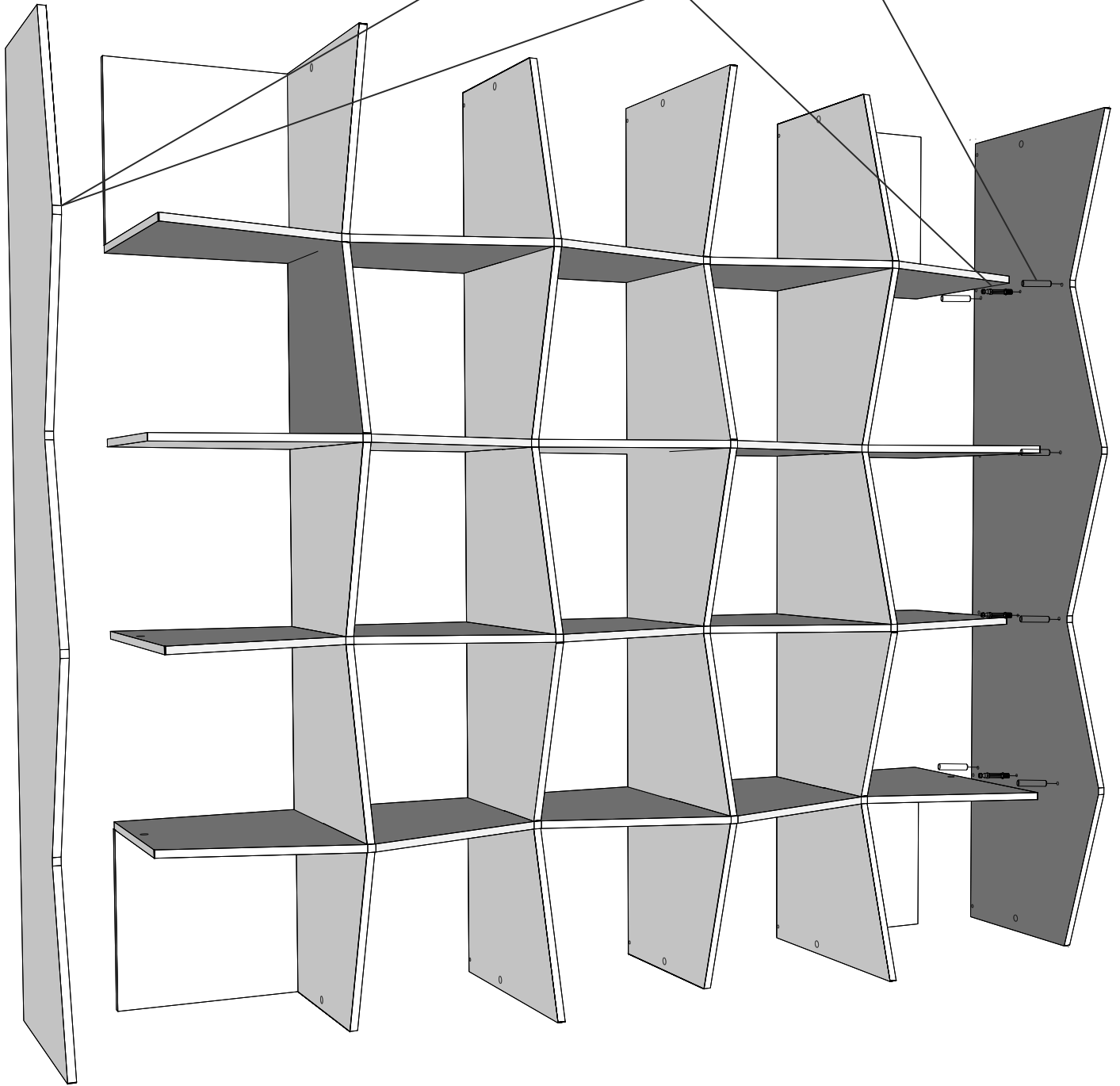
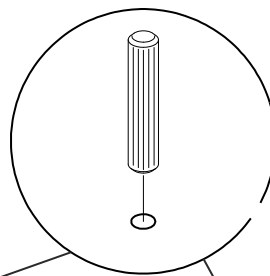
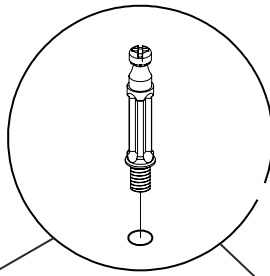
3



4



5



6

