

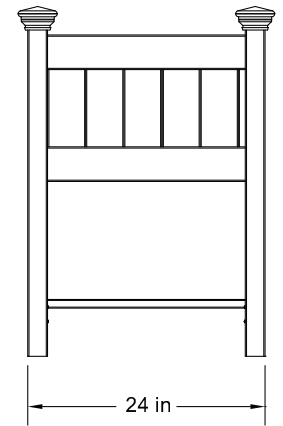
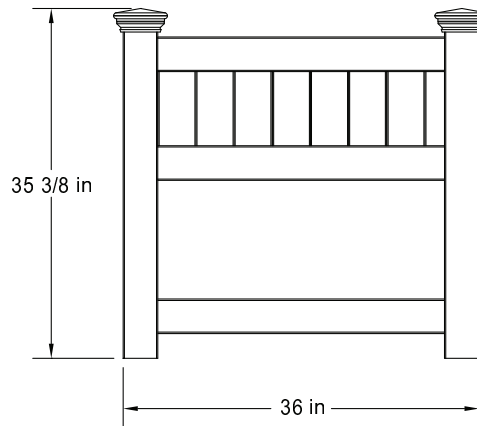
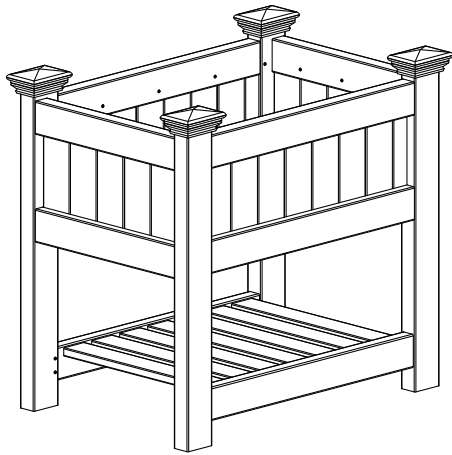
ASSEMBLY INSTRUCTIONS

New England
Arbors

Leadership by Design

www.newenglandarbors.com

The Bloomsbury Raised Planter Box

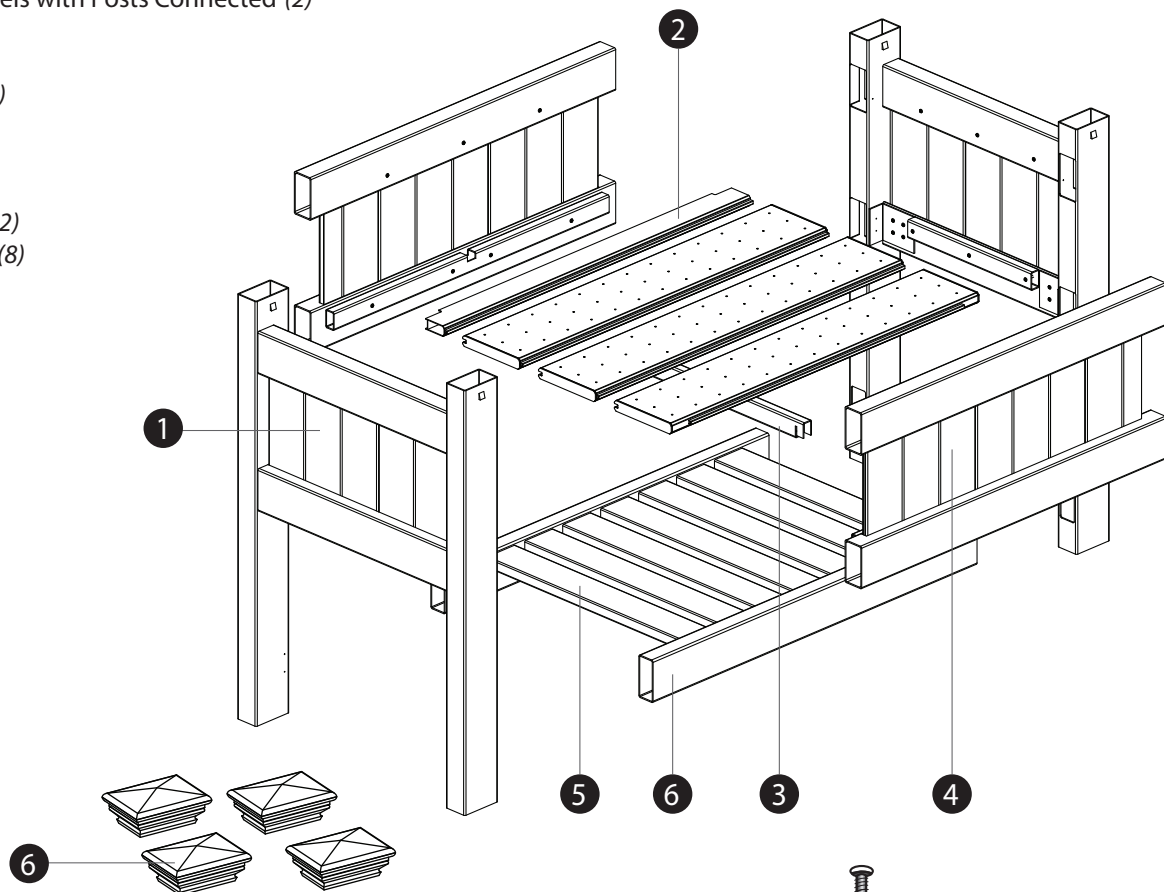


Please read through before starting assembly.

Check Box for These Contents

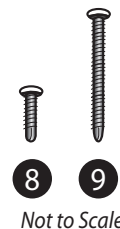
In the event of missing or defective parts please call our customer service dept. at **1 800 282 9346, ext #20** (Mon. to Fri. 8:00 AM to 4:00 PM EST).

1. Pre-Assembled Side Wall Panels with Posts Connected (2)
2. Floor Panels (4)
3. Floor Support (1)
4. Front and Back Wall Panels (2)
5. Shelf Boards (7)
6. Shelf Rails (2)
7. Post Caps (4)
8. 5/8" Stainless Steel Screws (12)
9. 1 1/2" Stainless Steel Screws (8)



General Information

- **Read Instructions through carefully before beginning assembly.**
- When assembling components, place on a non-abrasive surface (i.e. shipping box) to avoid scratching.
- We recommend an area approx 4'x 8' for unobstructed assembling.
- You should not need to use excessive force when assembling components.



Not to Scale

The Bloomsbury Raised Planter Box

STEP ONE

1

Assemble the seven Shelf Boards into the Shelf Rails. Push until the tabs lock into place. **Note** the orientation of the two Shelf rails; ensure the routed holes are on the same side. Once inserted, the tabs will lock into place.

2

Lay the Pre-Assembled Side Wall Panel on the floor as shown and align and insert the shelf from the above step into the routed hole. Do the same for the Front and Back Wall Panels as shown. **Note:** Only one side of the Shelf Rails will bottom out on the post. This is designed to accommodate the attachment of an extension kit (sold separately).

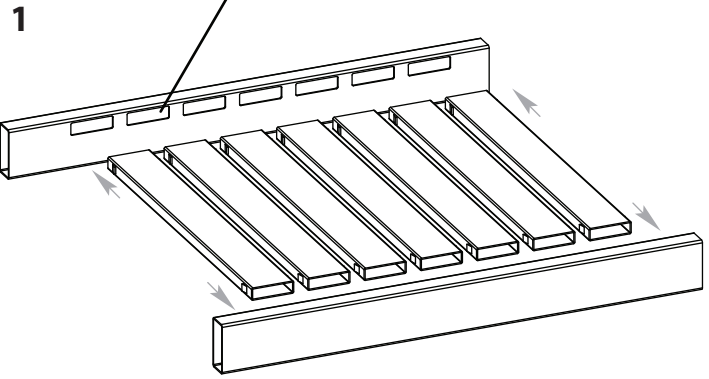
3

Align and insert the second Pre-Assembled Side Wall Panel as shown.

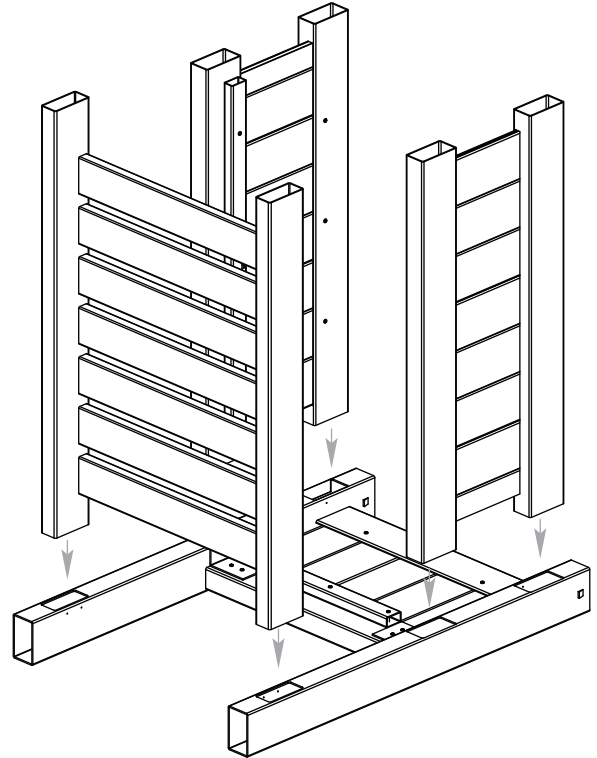
4

Stand the planter box up and fasten the shelf rails to the posts using 8 of the 5/8" screws provided through the pre-drilled holes as shown.

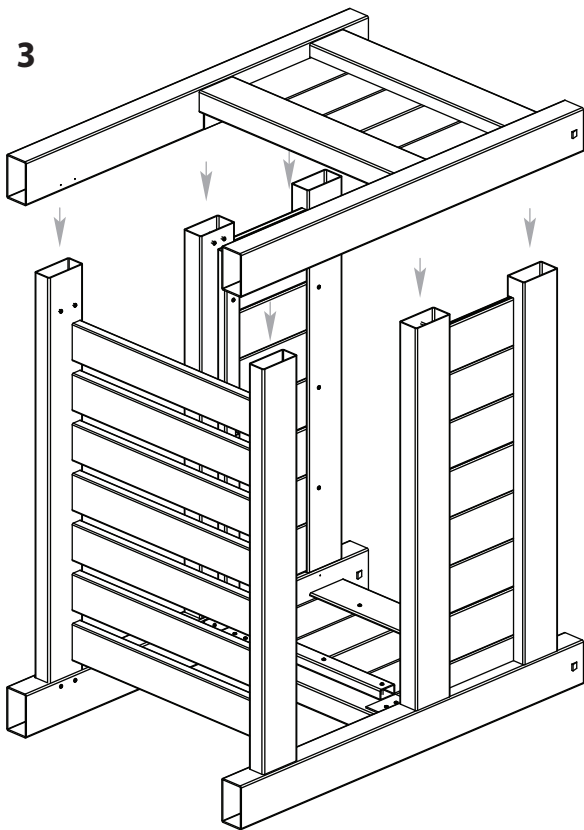
Note: Routed holes location



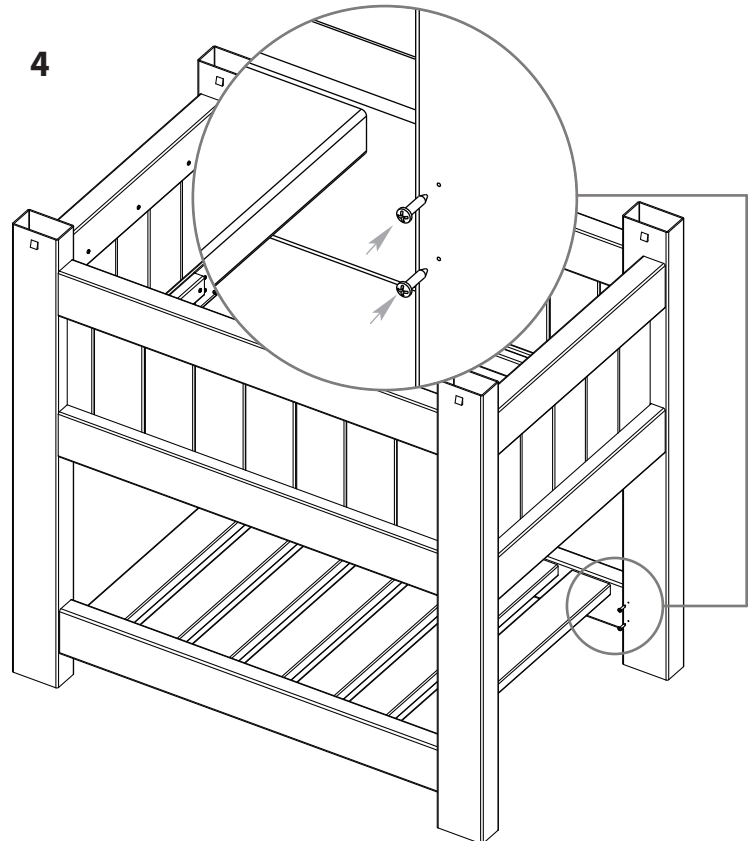
2



3



4



New England
Arbors
Leadership by Design
www.newenglandarbors.com

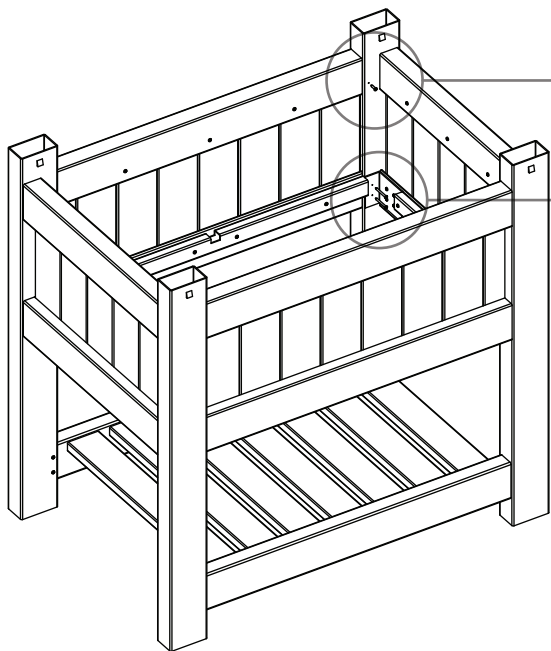
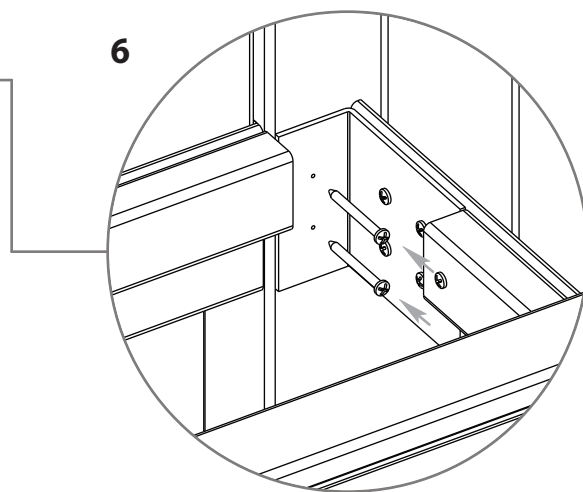
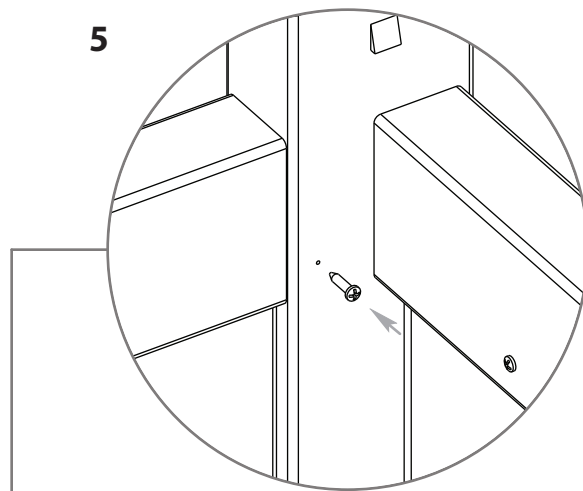
STEP ONE (CONT'D)

5

Fasten the wall panels together using 4 of the 5/8" screws provided through the pre-drilled holes on the posts as shown.

6

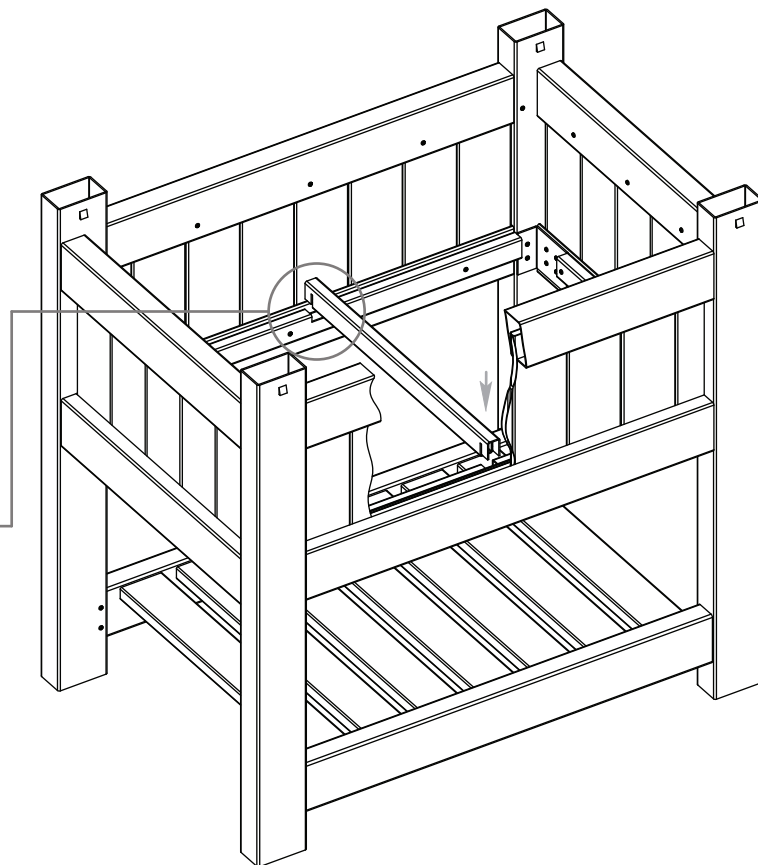
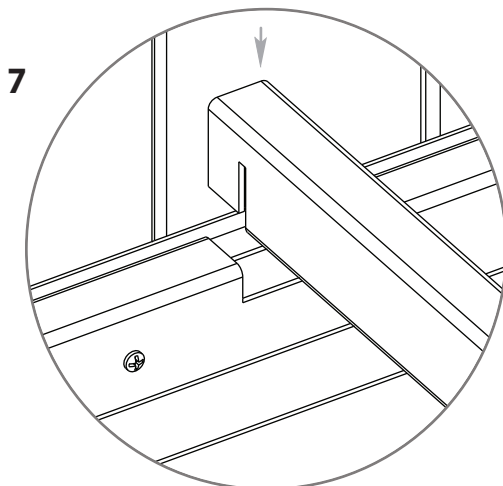
Fasten the corner brackets to the posts using 8 of the 1 1/2" screws provided through the pre-drilled holes on the brackets as shown.



STEP TWO

7

Insert the floor support rail into the front and rear walls as shown. **Note** the notch at the ends of the floor support rail.



The Bloomsbury Raised Planter Box

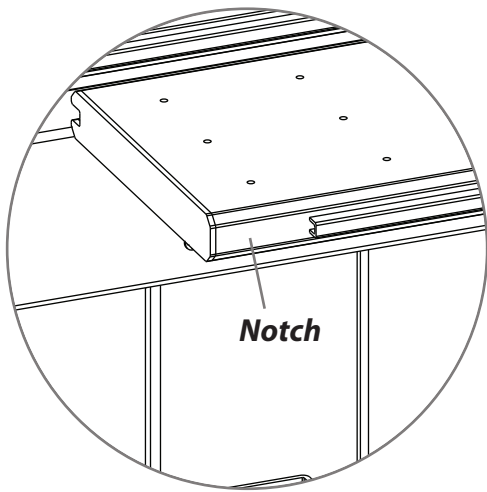
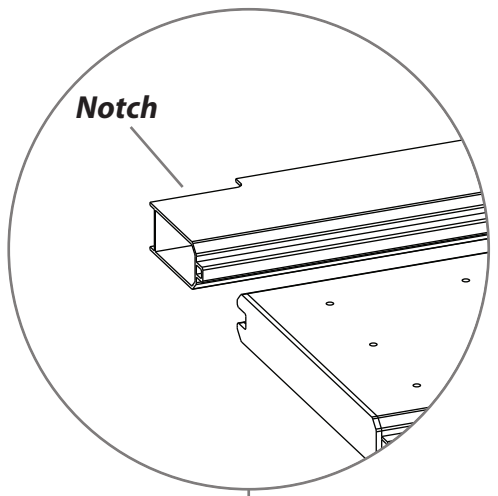
STEP TWO (CONT'D)

8

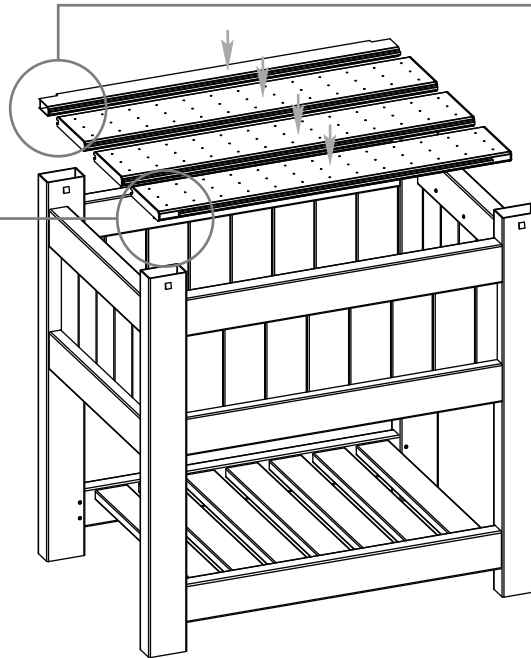
Place the four floor panels onto the floor supports as shown. Note the notches on the one side of the end panels. The notches are to wrap around the posts.

9

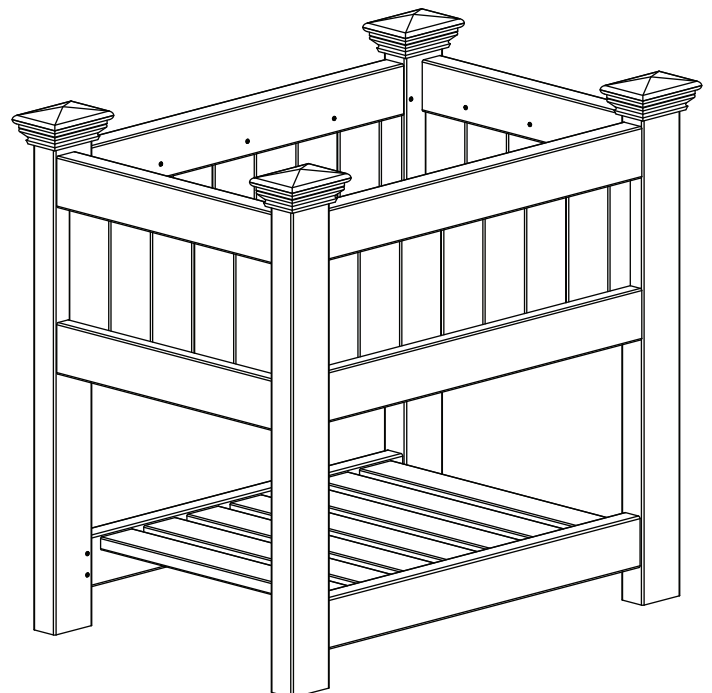
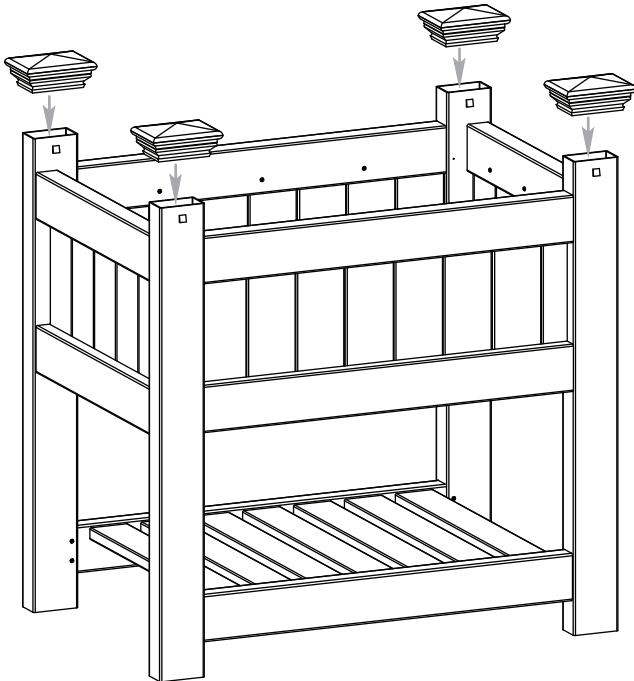
Pressure fit the Post Caps into place. Push firmly until they snap into place.



8



9



New England
Arbors
Leadership by Design
www.newenglandarbors.com