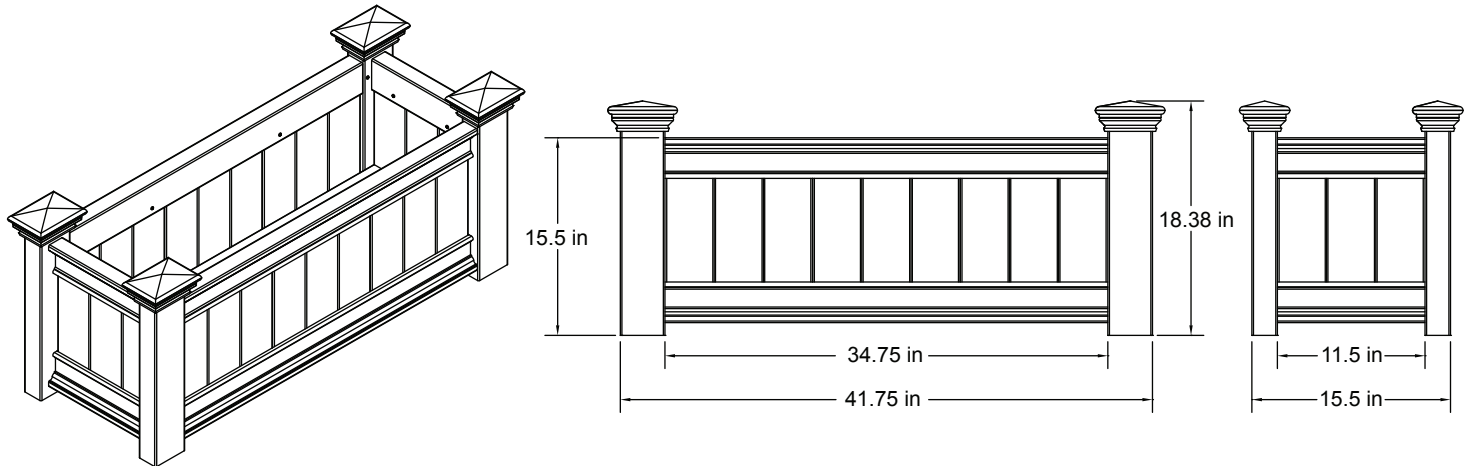


ASSEMBLY INSTRUCTIONS

The Windsor Long Planter Box

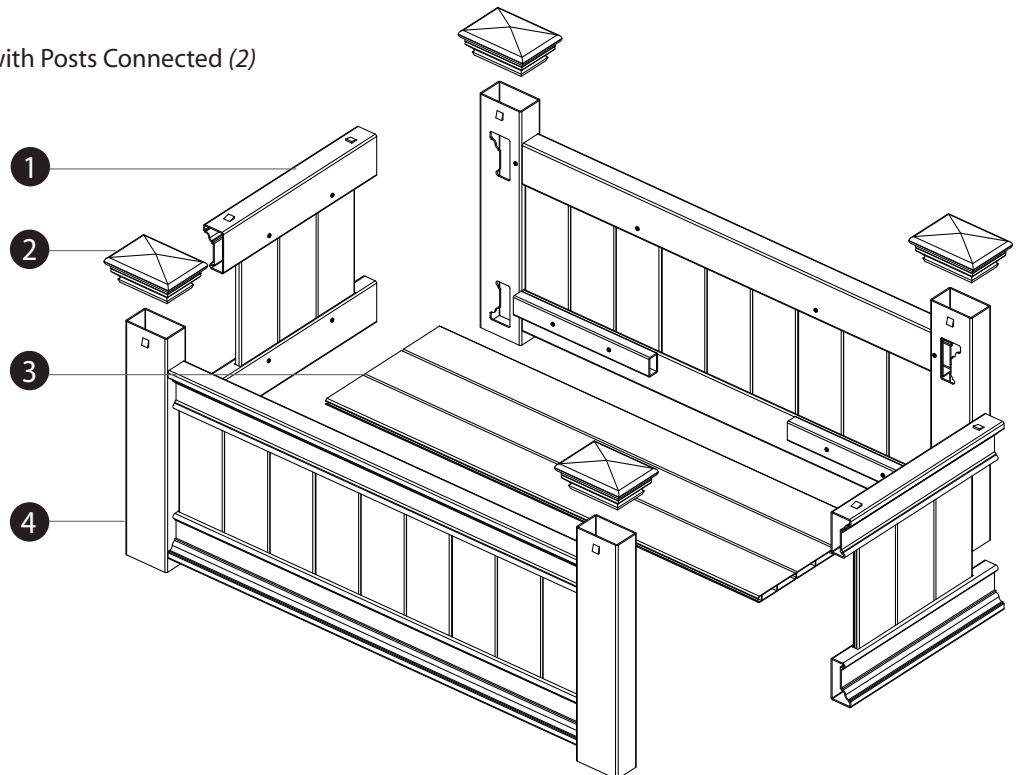


Please read through before starting assembly.

Check Box for These Contents

In the event of missing or defective parts please call our customer service dept. at **1 800 282 9346** (Mon. to Fri. 8:00 AM to 4:00 PM EST).

1. Pre-Assembled Side Wall Panels (2)
2. Post Caps (4)
3. Floor Panel (1)
4. Pre-Assembled Front & Back Wall Panels with Posts Connected (2)



General Information

- **Read Instructions through carefully before beginning assembly.**
- When assembling components, place on a non-abrasive surface (i.e. shipping box) to avoid scratching.
- We recommend an area approx 4'x 8' for unobstructed assembling.
- You should not need to use excessive force when assembling components.

STEP ONE

Connect the Front & Back Wall to the Side Wall Panels

1

Layout one of the front or back wall panel on the work surface.

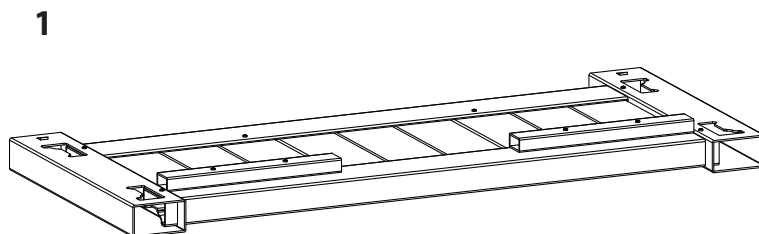
2

Insert the side wall panels into the routed holes on the wall panel posts. Push walls until they bottom out inside the post.

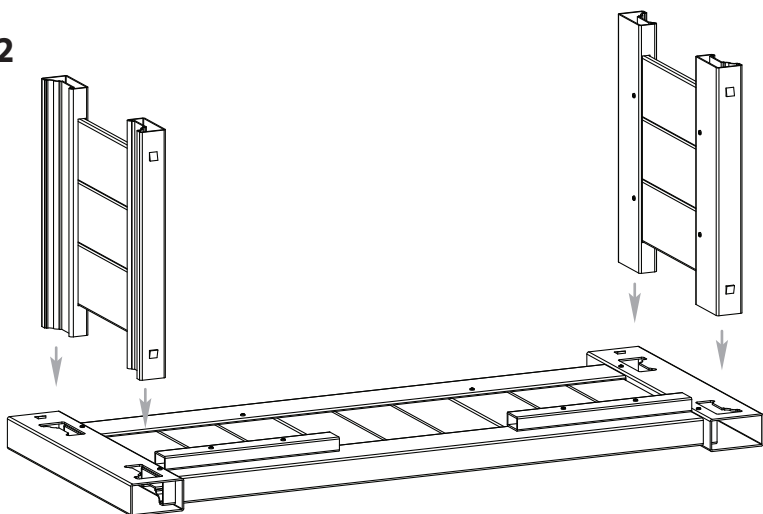
The rails are tabbed and will lock into place once inserted.

3

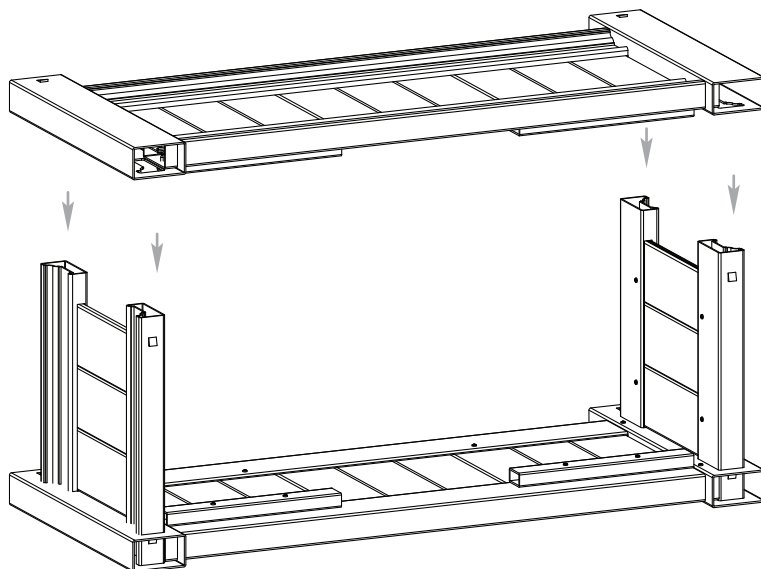
Align and push the last side wall panel.



2



3



STEP TWO

Insert Floor Panel & Post Caps

1

Pressure fit the floor panel into place.

2

Install the four post caps. Push caps until the locking tabs snap into place

