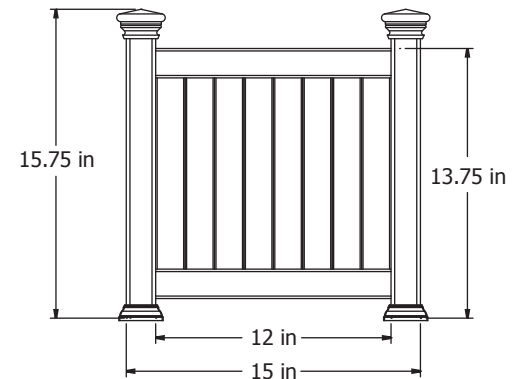
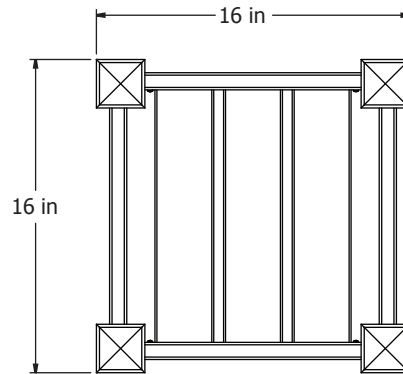
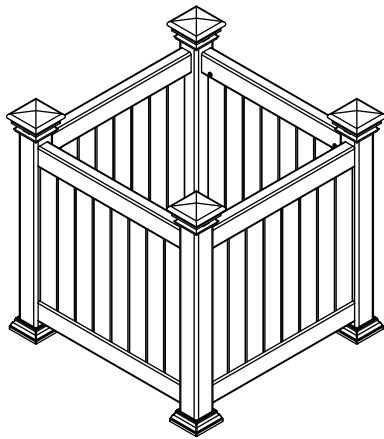


ASSEMBLY INSTRUCTIONS

The Cardiff Planter Box

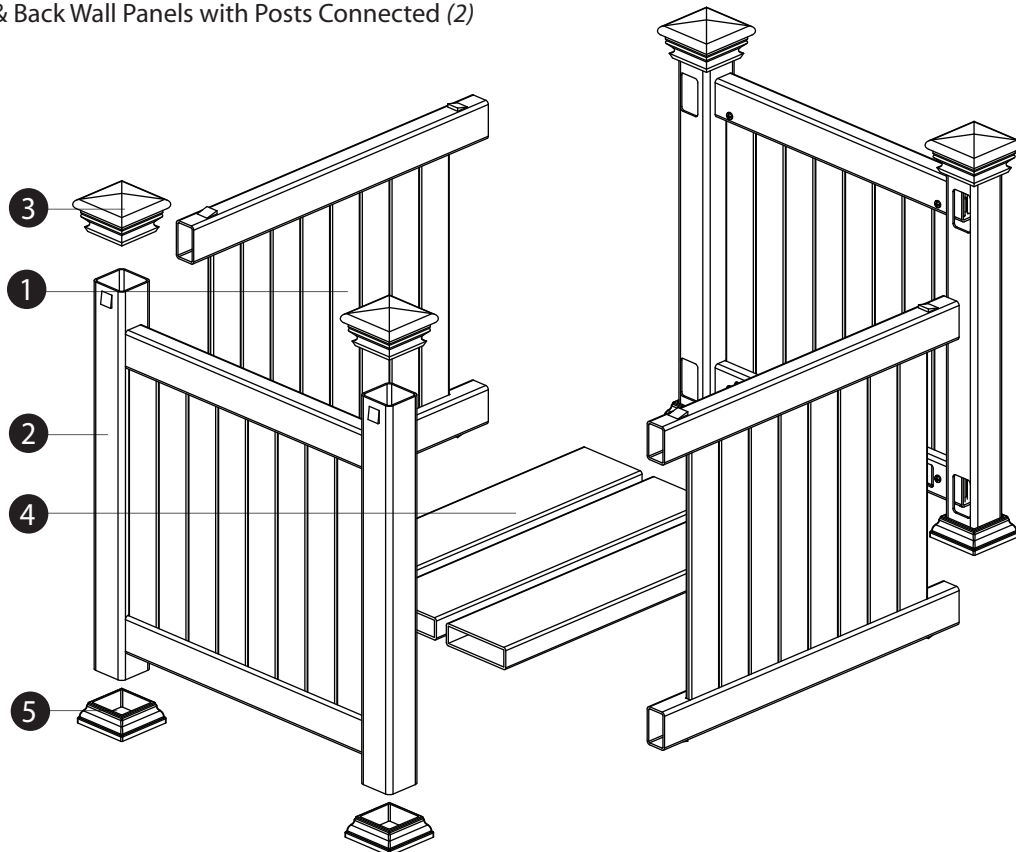


Please read through before starting assembly.

Check Box for These Contents

In the event of missing or defective parts please call our customer service dept. at **1 800 282 9346** (Mon. to Fri. 8:00 AM to 4:00 PM EST).

1. Pre-Assembled Side Wall Panels (2)
2. Pre-Assembled Front & Back Wall Panels with Posts Connected (2)
3. Post Caps (4)
4. Floor Boards (3)
5. Base Trim (4)



General Information

- **Read Instructions through carefully before beginning assembly.**
- When assembling components, place on a non-abrasive surface (i.e. shipping box) to avoid scratching.
- We recommend an area approx 4'x 8' for unobstructed assembling.
- You should not need to use excessive force when assembling components.

STEP ONE

Connect the Front & Back Wall to the Side Wall Panels

1

Lay out front wall panel on the work surface.

2

Insert the side walls into the routed holes on the front wall panel posts until rails bottom out. Push until the locking tabs snap into place.

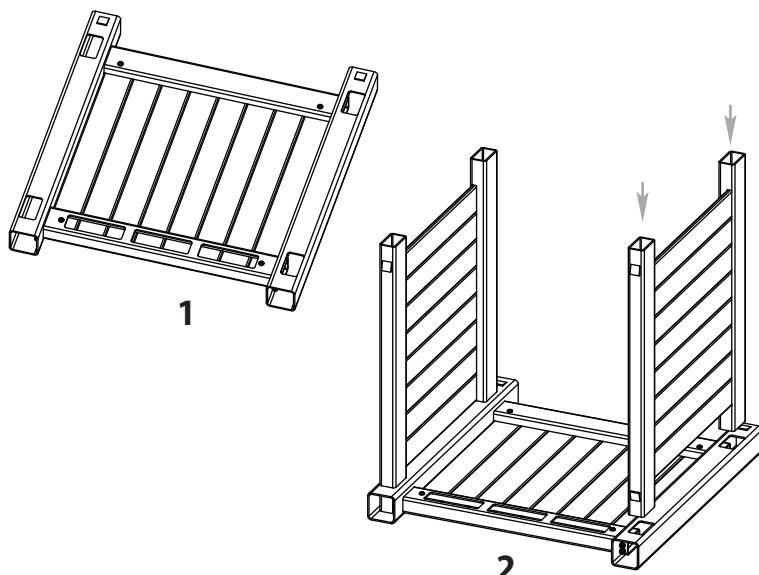
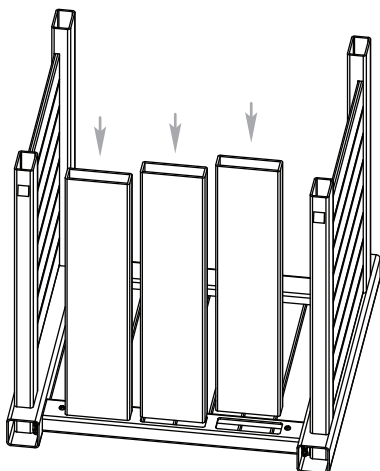
3

Insert the three floor boards into the pre-routed hole.

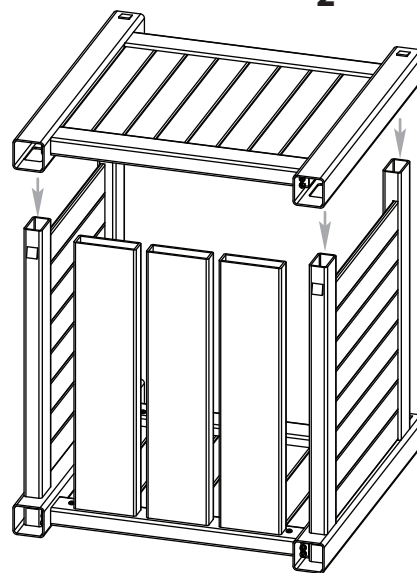
4

Align and insert the pre-assembled back panel to the side wall panels. Ensure the bottom slats are also inserted into the pre-routed hole. Push until the locking tabs snap into place.

3



4



STEP TWO

Install Post Caps

5

Install the four Post Caps and Base Trims. Push post caps until the locking tabs snap into place.

5

