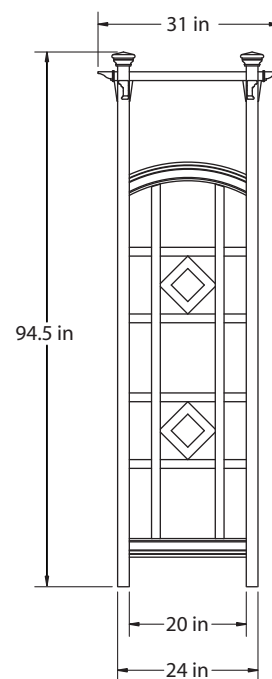
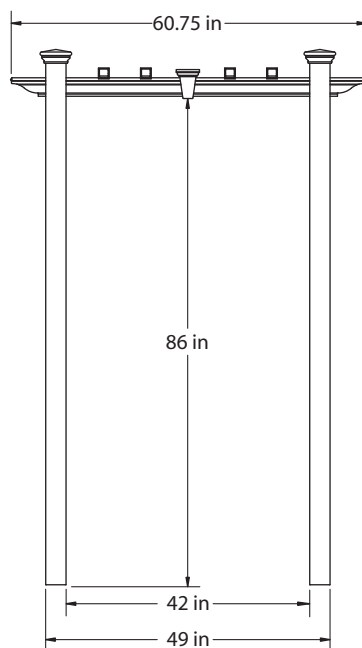
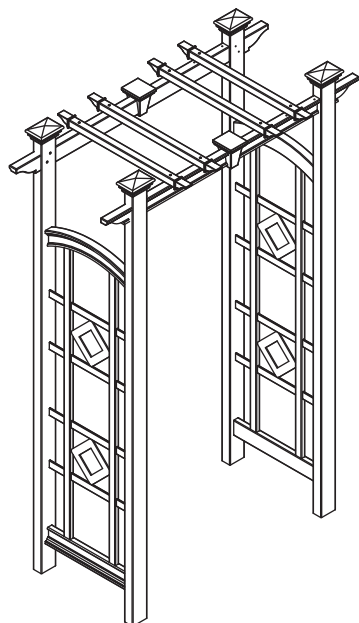


The Monaco Arbor



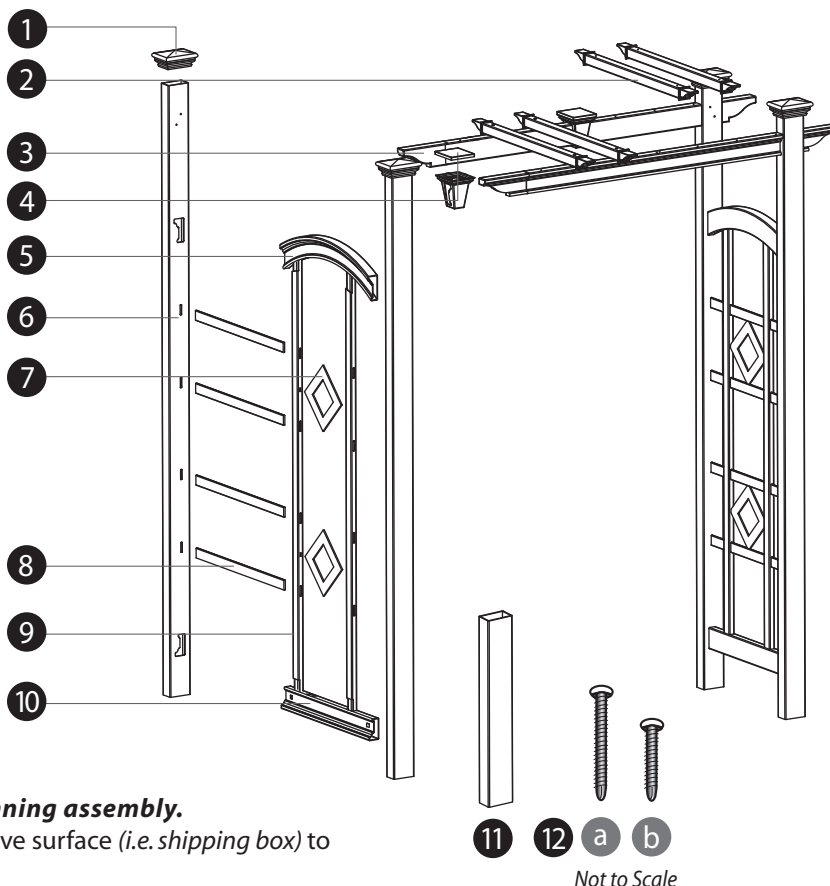
Please read through before starting assembly.

IMPORTANT: CHECK THE INSIDE OF YOUR POSTS FOR ALL MATERIALS.

Check Box for These Contents

In the event of missing or defective parts please call our customer service dept. at **1 800 282 9346** (Mon. to Fri. 8:00 AM to 4:00 PM EST).

1. Post Caps (4)
2. Pergola Rafters (4)
3. Pergola Beams (2)
4. Keystones & Lids (2)
5. Side Panel Arched Top Rails (2)
6. Posts (4)
7. Side Panel Diamonds (4)
8. Side Panel Horizontal Mid-Rails (8)
9. Side Panel Vertical Spindles (4)
10. Side Panel Horizontal Bottom Rails (2)
11. Ground Anchoring Stakes (4)
12. Hardware (in plastic bag)
 - a) 2 1/2" Self-Auguring Stainless Steel Screws (8 for Pergola Rafters)
 - b) 1 1/2" Self-Auguring Stainless Steel Screws (12 - for Posts & Keystone) (8 - for Ground Anchoring Stakes)



11 12 a b

Not to Scale

Tools You Will Need

- Cordless Drill
- Level
- Hammer
- Stool or Short Ladder
- Tape Measure
- Shovel

General Information

- Read Instructions through carefully before beginning assembly.
- When assembling components, place on a non-abrasive surface (i.e. shipping box) to avoid scratching.
- We recommend an area approx 10'x 8' for unobstructed assembling.
- You should not need to use excessive force when assembling components.

STEP ONE

Assemble the Pergola Top

1

Slide the keystone body over the pergola beam to about the mid point. Repeat for other pergola beam.

2

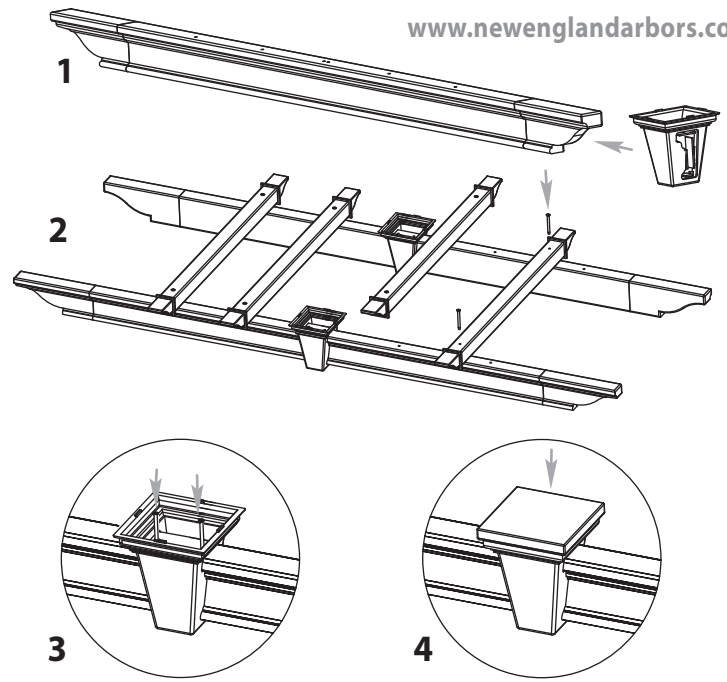
Install the four pre-drilled pergola rafters using 2 1/2" self augering screws starting with the one furthest from the keystone (rafter locations are marked with pre-drilled holes on the pergola beams to give you guidance for spacing). Ensure that the pergola beams are oriented properly as per illustration.

3

Identify the mid-point on the pergola beam and position keystone. To prevent the keystone from shifting position, install two screws into the beam on either side of the inside of the keystone.

4

Install the lid on the keystone. Ensure lid is locked into place by pushing firmly down.



NOTE: Some of the horizontal rails have locking tabs located at both ends. Once inserted and pushed into the routed holes, they will lock into place.

STEP TWO

Assemble the Side Panels

1

Layout the horizontal bottom rail and insert the two long vertical spindles. Ensure the routed holes on the spindles are orientated correctly to eventually receive diamonds (see Figure 1) **The spindles are identified inside the notch at the top with either the letter L for Left or R for Right.**

2

Install the arched top rail over the ends of the vertical spindles ensuring the architectural detail faces out (same as bottom rail).

3

Insert the four horizontal rails ensuring that the routed holes on the spindles are positioned to eventually accept the diamonds (see Figure 2).

4

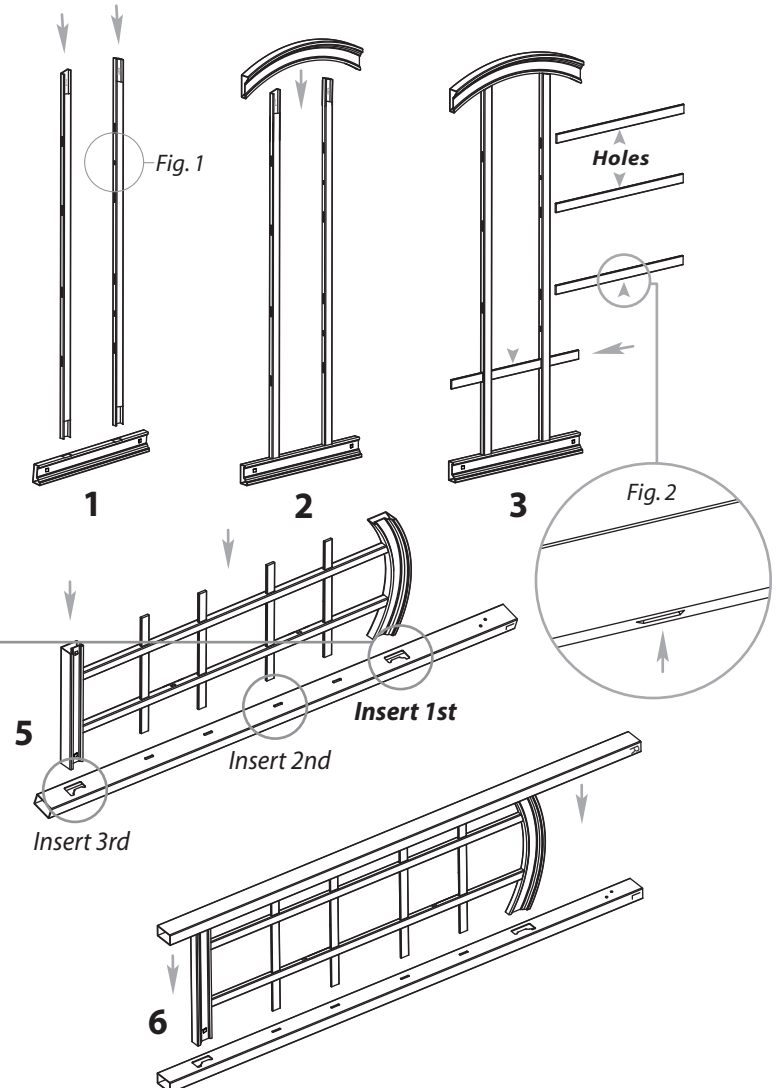
Set out one post and complete the side panel by inserting it into the post. **Start with the bent top rail first.**

5

Lay out the second post with holes facing upwards and insert the completed panel and connected post.

6

Repeat for other side panel to complete both side panels.



STEP THREE

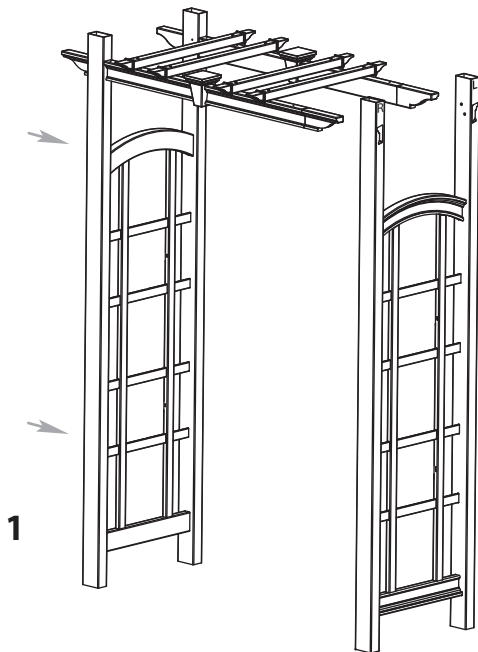
Connect Arch System to Side Panels

1

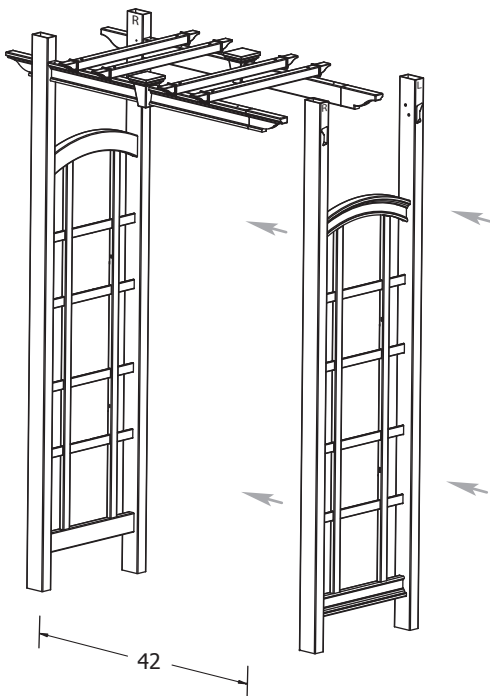
Insert the assembled pergola top through the holes at the top of the posts. You will need a helper.

2

Push the side panel posts until the spacing appears even between the inside of the post and the first rafter with the remaining rafters. Final adjustment to allow for a 42" opening between posts (allows for minor variance if necessary).



1



2

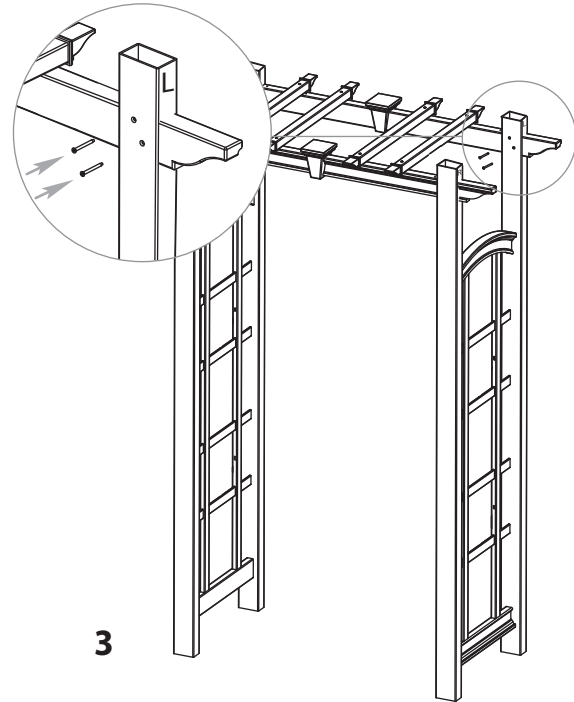
42

3

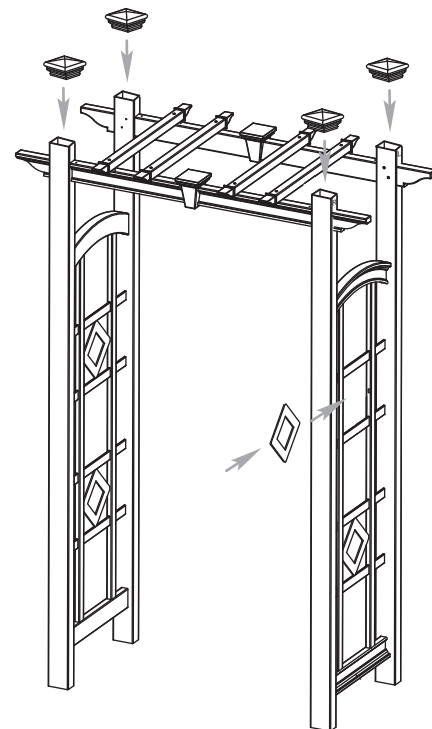
Fasten the pergola beam to the posts by installing the screws provided into the 2-pre drilled holes per post.

4

Pressure fit the diamonds into the square area designated by tensioning into the horizontal and vertical routed holes (four points of contact). Place post caps on top of posts.



3



4

STEP FOUR

Arbor Installation

Arbors must be well secured to prevent tipping over from wind load etc. We have provided four ground anchors for securing the arbor either into the ground or a concrete footing. In some cases it may be acceptable to secure the arbor to an existing structure such as a fence post. If you are installing your arbor on concrete or a deck, see your hardware store for the appropriate galvanized bracketing hardware.

A Install Ground Stakes

1

Carefully place the arbor on its side. Continue to insert the ground stakes to the bottom of the posts approximately 4".

2

Using two screws per post, fasten the ground anchors to post as shown aside.

B Into Earth Without Concrete Footing

1

Move the arbor to its final location (you will need a helper). When you are satisfied with the location, mark the positions of the posts, then move the arbor aside and lay it carefully on its side. Excavate 4 holes approximately 12" deep. Carefully moved the arbor back into position and level it both vertically and horizontally.

2

Backfill the holes with the excavated soil to cover the anchors.

C Into Earth With Concrete Footing

1

Complete B#1 above, with the exception of excavating the holes at least 6in wide x 18in deep. Fill holes with wet cement withing 3in of your grade (You will need 2 bags of pre-mix concrete - purchased separately) Carefully move the arbor back into position.

2

Support the arbor plumb and level over the holes with bricks, stones, or blocks of wood under the bottom rail of the side panel. The post bottoms should insert themselves approximately 1/2in into the concrete.

Optional

If you plan on attaching a fence to the arbor, or in the event of extreme wind conditions we would not recommend using the ground anchors provided. Consider purchasing pressure treated lumber and trimming it down to **3 1/4 wide** and cutting it into 36" lengths. Insert into the bottom of all four posts until they hit the bottom horizontal rail on the side panel. Fasten accordingly with screws and install either directly into the ground or into a concrete footing.

