

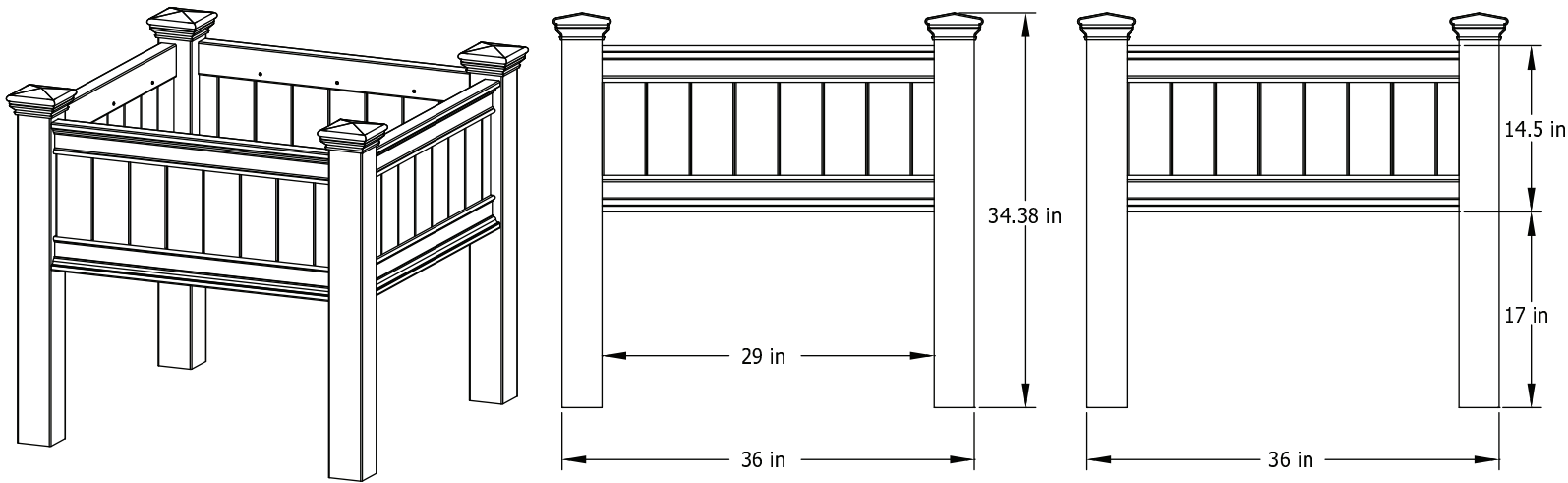
# ASSEMBLY INSTRUCTIONS

New England  
Arbors

Leadership by Design

www.newenglandarbors.com

## Mayfair Raised Planter Box

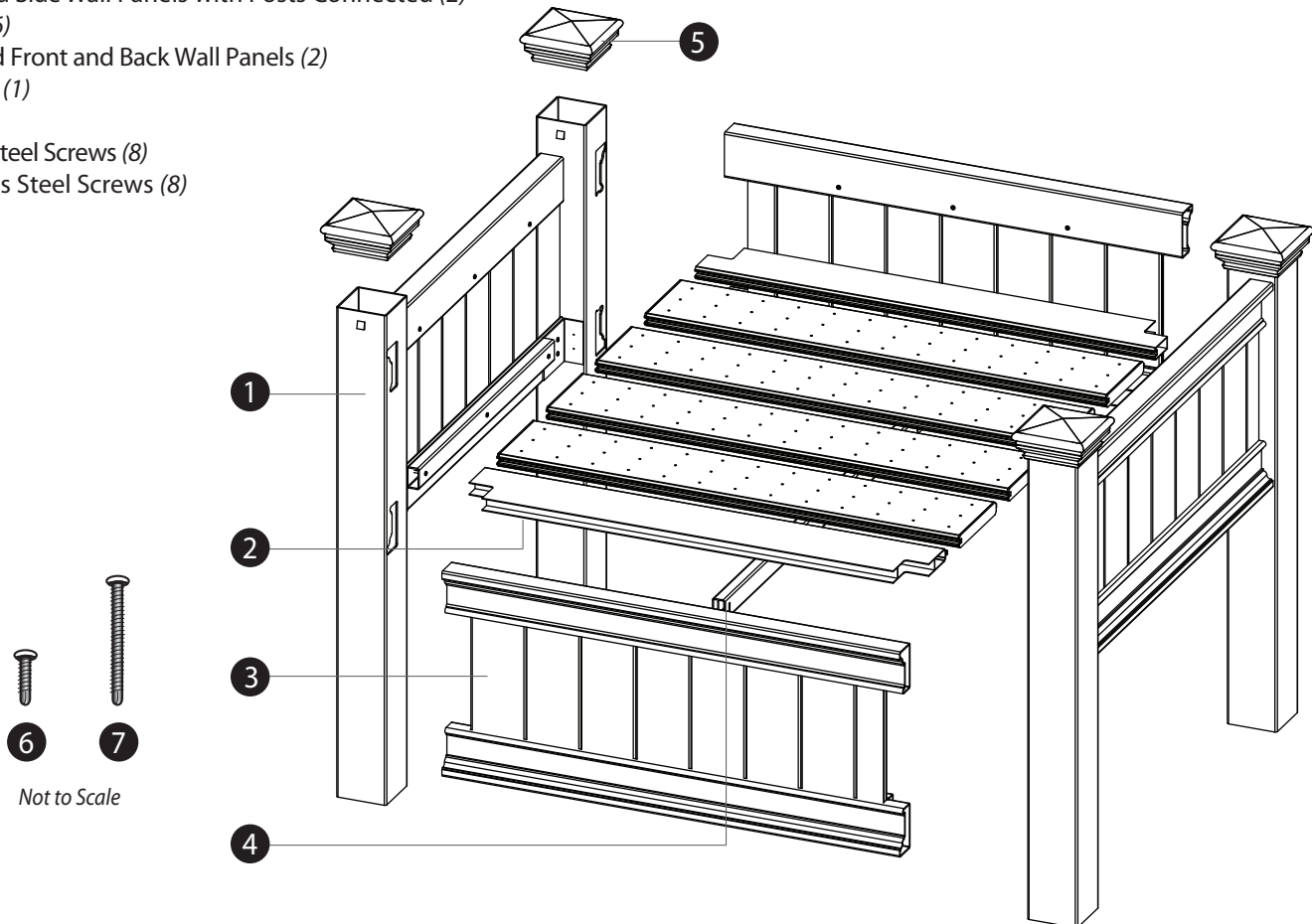


Please read through before starting assembly.

### Check Box for These Contents

In the event of missing or defective parts please call our customer service dept. at **1 800 282 9346, ext #20** (Mon. to Fri. 8:00 AM to 4:00 PM EST)

1. Pre-Assembled Side Wall Panels with Posts Connected (2)
2. Floor Panels (6)
3. Pre-Assembled Front and Back Wall Panels (2)
4. Floor Support (1)
5. Post Caps (4)
6. 5/8" Stainless Steel Screws (8)
7. 2 1/2" Stainless Steel Screws (8)



### General Information

- Read Instructions through carefully before beginning assembly.
- When assembling components, place on a non-abrasive surface (i.e. shipping box) to avoid scratching.
- We recommend an area approx 4'x 8' for unobstructed assembling.
- You should not need to use excessive force when assembling components.

# STEP ONE

1

Lay down one of the pre-assembled side panel with post down and insert the two front and back panels as shown.

**Note:** Make sure the support rail is on the bottom of the panels.

2

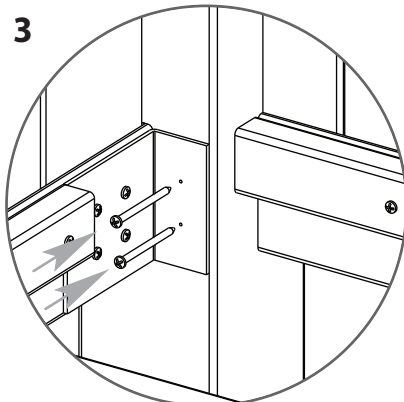
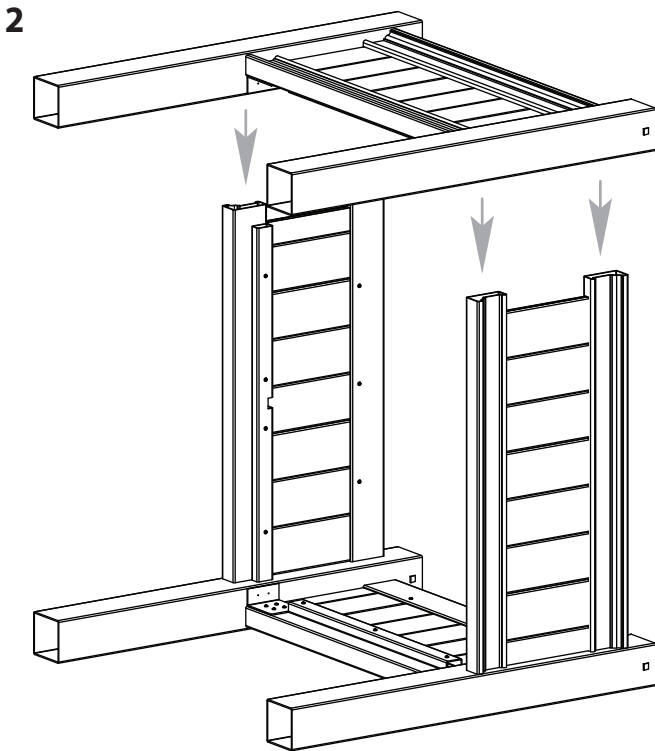
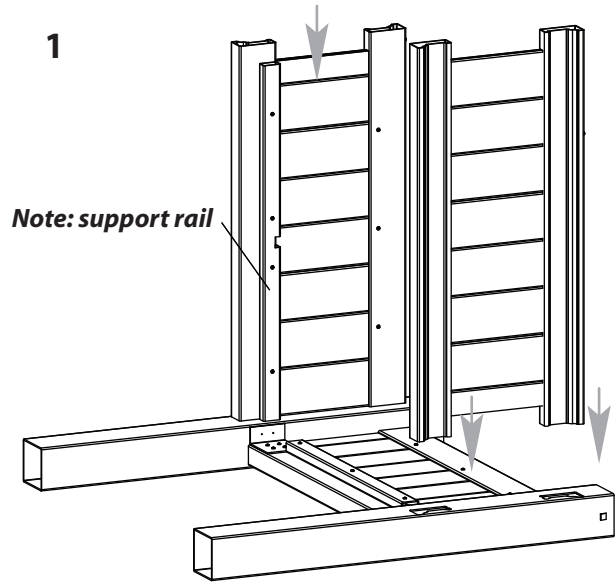
Align and insert the second pre-assembled side panel as shown.

3

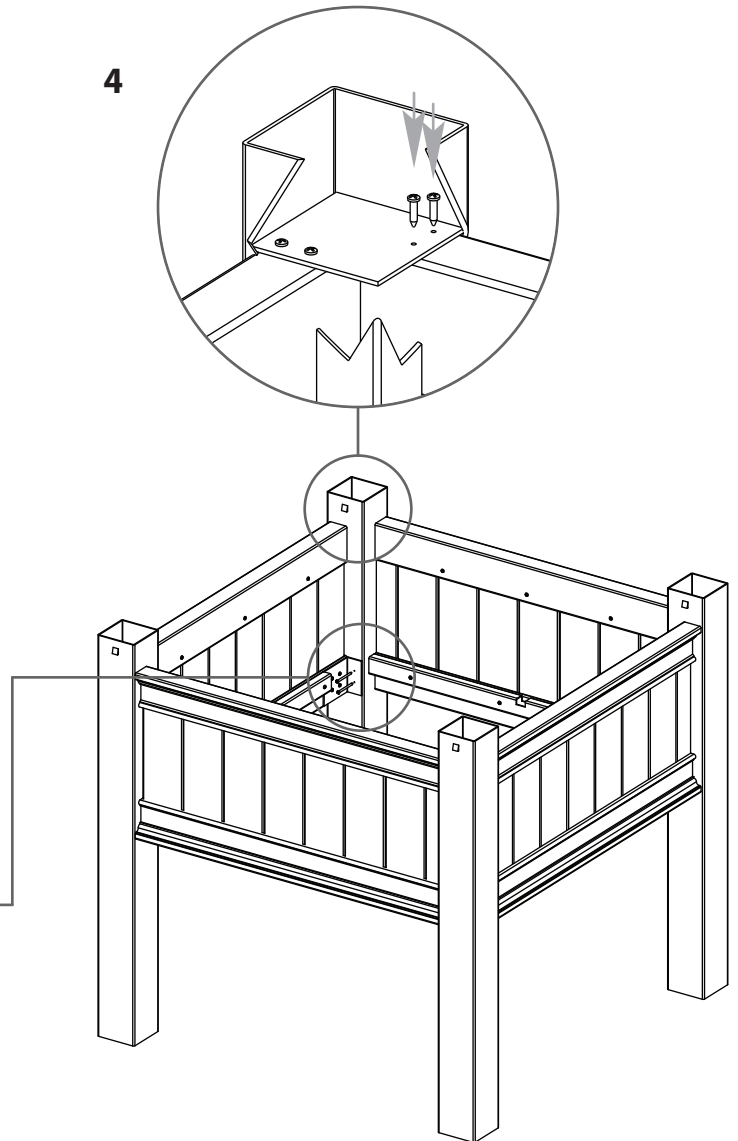
Using eight of the 2 1/2" screws, fasten the two panels together through the brackets at each post as shown.

4

Continue to lock the panels into place using eight of the 5/8" screws through the top plates in the posts as shown.



4



# The Mayfair Raised Planter Box

## STEP TWO

**1**

Place the floor support onto the support rail as shown. Note the notches and the orientation of the floor support.

**2**

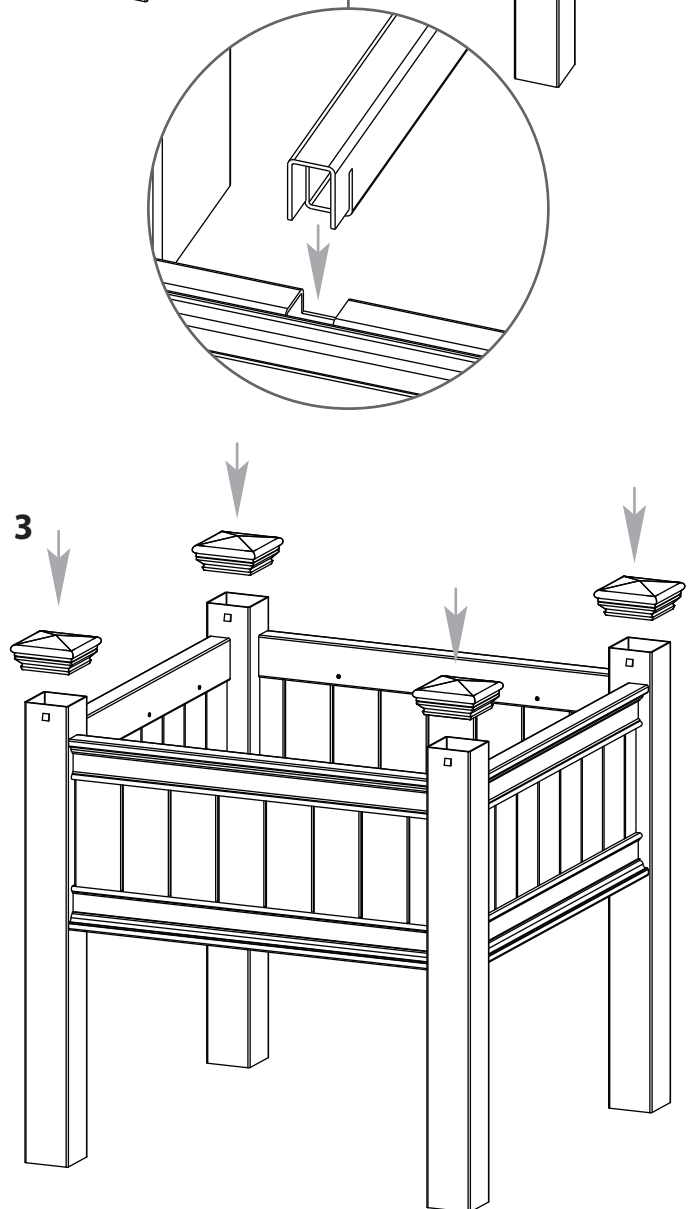
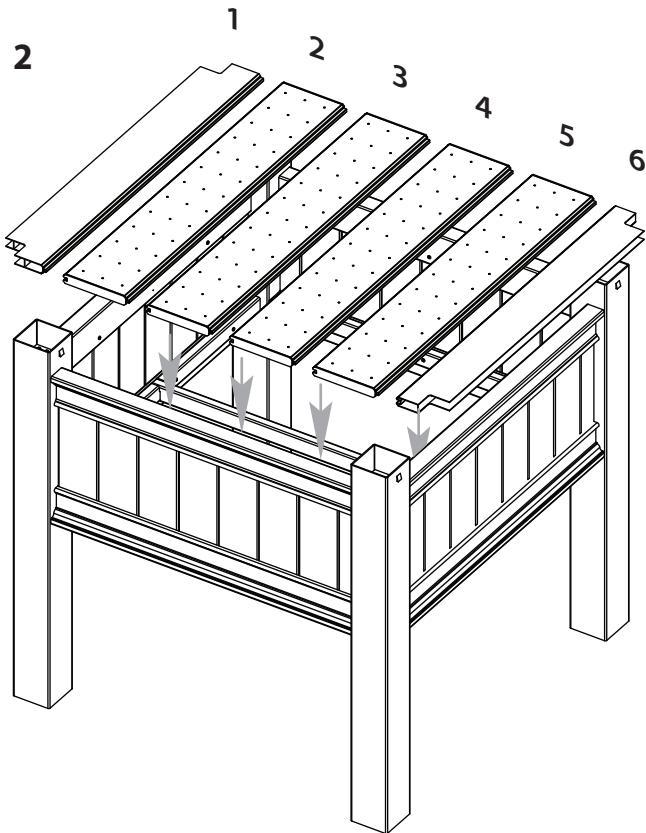
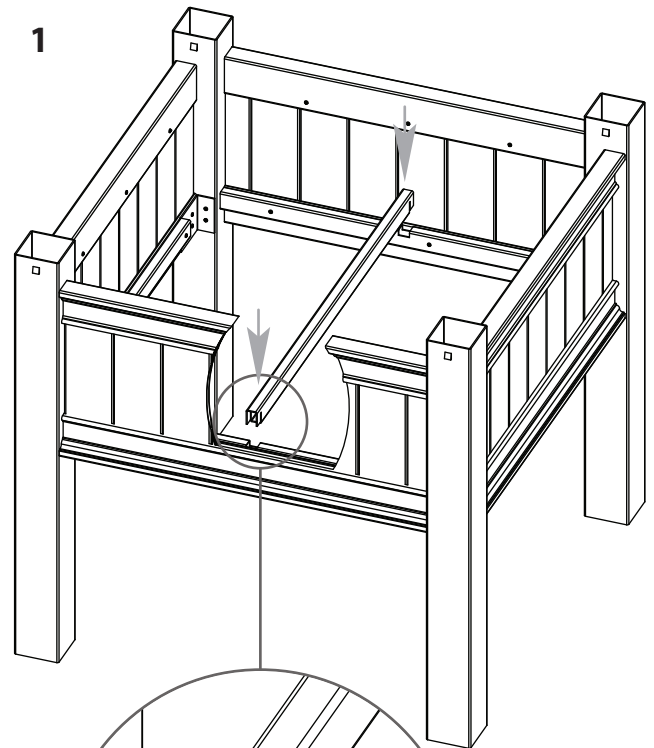
Layout and arrange the floor boards as shown and insert them one by one starting with either of the shorter floor board.

The boards will be labelled 1 through 6.

For optimal support, insert the boards perpendicular to the floor support as shown.

**3**

Pressure fit the post caps into place. Push until the caps lock into place.



**New England**  
Arbors  
Leadership by Design  
[www.newenglandarbors.com](http://www.newenglandarbors.com)