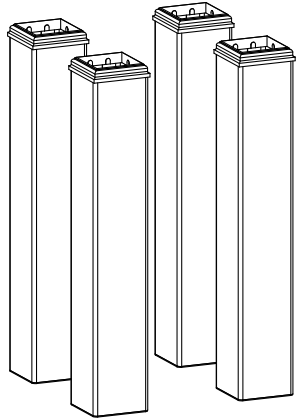
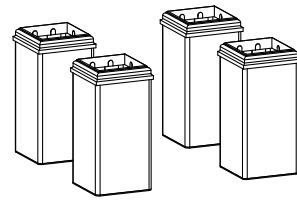


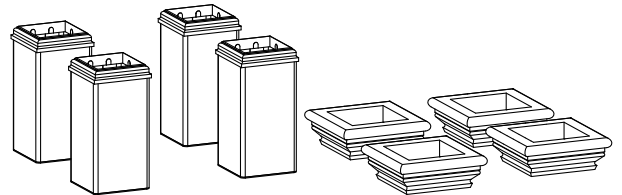
Base Molding



**BP81000 - Pergola Base Molding- Tall /
VA81011 - Composite Pergola Base Molding - Tall**



**BP81001 - Pergola Base Molding- Short /
VA81012 - Composite Pergola Base Molding - Short**



BP80000 - 5" x 5" Arbor Trim Kit

Please read through before starting installation.

Check Box for These Contents

In the event of missing or defective parts please call our customer service department at 1 800 282 9346 (Mon. to Fri. 8:00 AM to 4:00 PM EST).

Pergola Base Molding - Tall

1. Top Trim Cap (4) White #10764 Composite #14055
2. Tall Extrusion (4) White #10175-1 Composite #14092 - 6" x 6" x 36"
4. Bottom Trim (4) White #10765 Composite #14057
6. Vinyl Glue (1) - White #20000 Composite #20022

Pergola Base Molding - Short

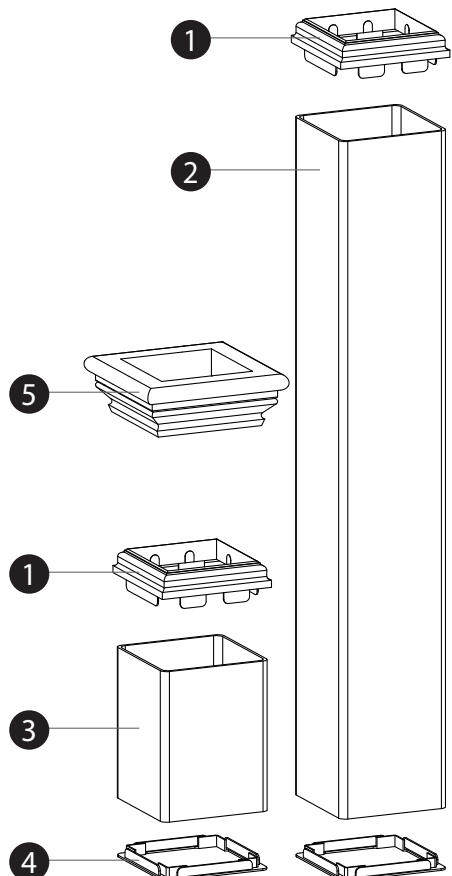
1. Top Trim Cap (4) White #10764 Composite #14055
3. Short Extrusion (4) White #10173-1 Composite #14056 - 6" x 6" x 8"
4. Bottom Trim (4) White #10765 Composite #14057
6. Vinyl Glue (1) - White #20000 Composite #20022

5" x 5" Arbor Trim Kit

1. Top Trim Cap (4) White #10764
3. Short Extrusion (4) White #10173-1 - 6" x 6" x 8"
4. Bottom Trim (4) White #10765
5. 5" x 5" Post Trim (4) White # 10698-1
6. Vinyl Glue (1) - White #20000



6



STEPS

1

Using the glue provided, run a small bead around the inside of the base molding extrusion.

2

Carefully place the bottom trim on one end of the base molding extrusion.

3

Run another bead of glue on the other (inside) end of the base molding extrusion.

4

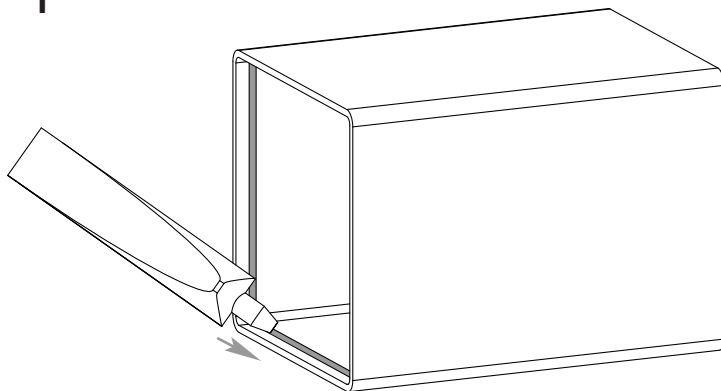
Carefully place the top trim cap on the base molding extrusion.

5

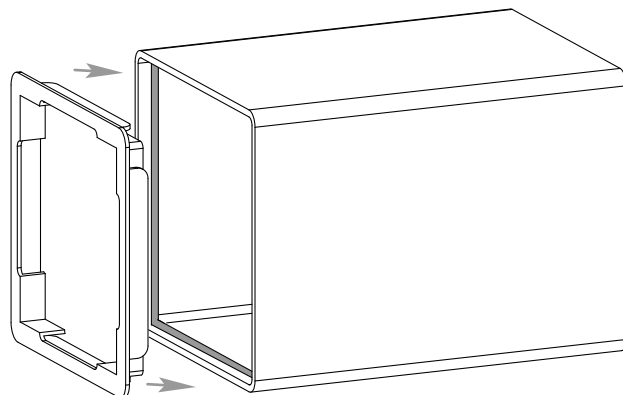
Repeat for all base moldings.

Note: Please allow the glue to set for 15 minutes prior to installing the base molding on the pergola/arbor.

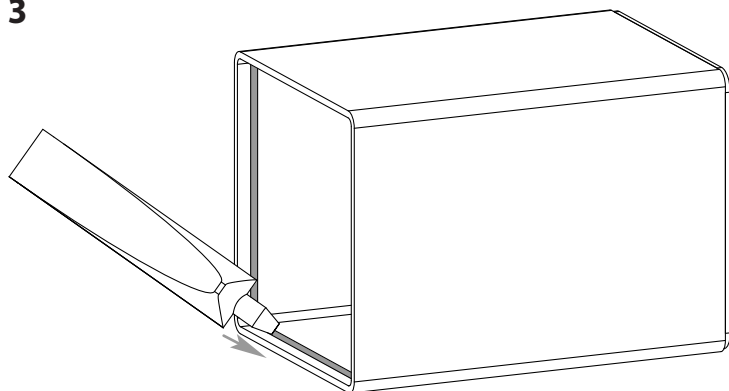
1



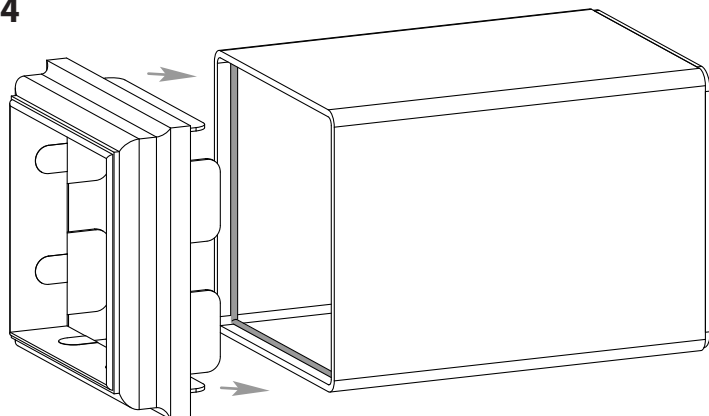
2



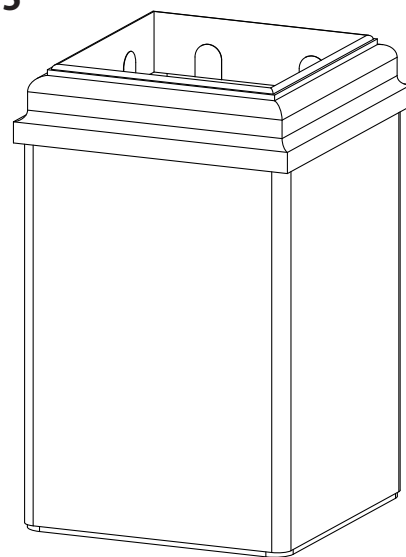
3



4



5



STEPS

On the Bottom Trims, there is a notch alongside the inside face. this is designed to clear screw heads during installation:

1

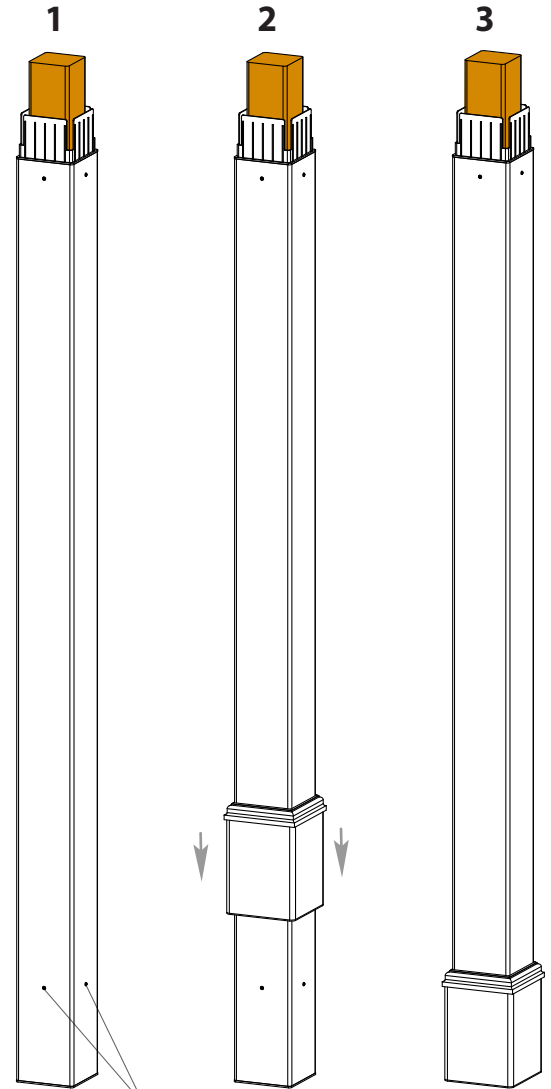
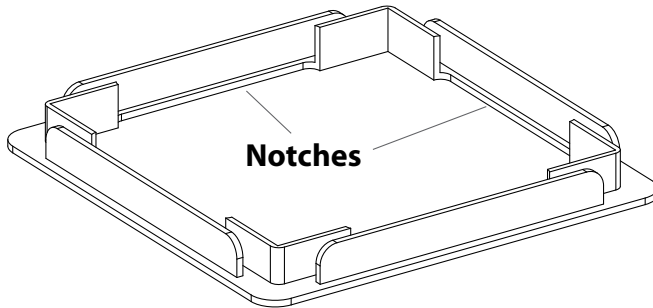
Typically your post would be fastened to a wooden post as shown.

2

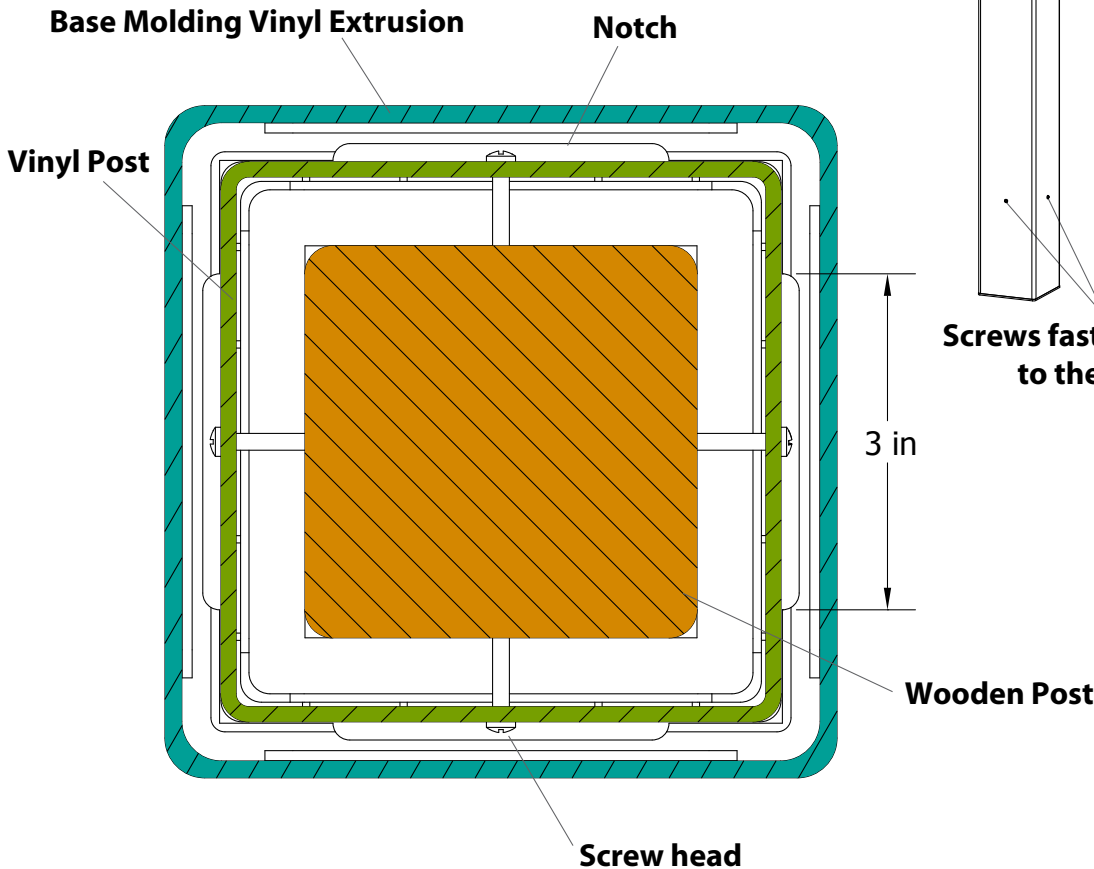
The base molding then can slide down and clear the screw heads.

3

To make sure the base molding clears the screw heads, the screws fastening the post to the wooden post should be well within a 1½ in radius of the center of the post.



Screws fastening the vinyl post to the wooden post.



Section view showing the notches in the bottom trim clearing the screw heads.