

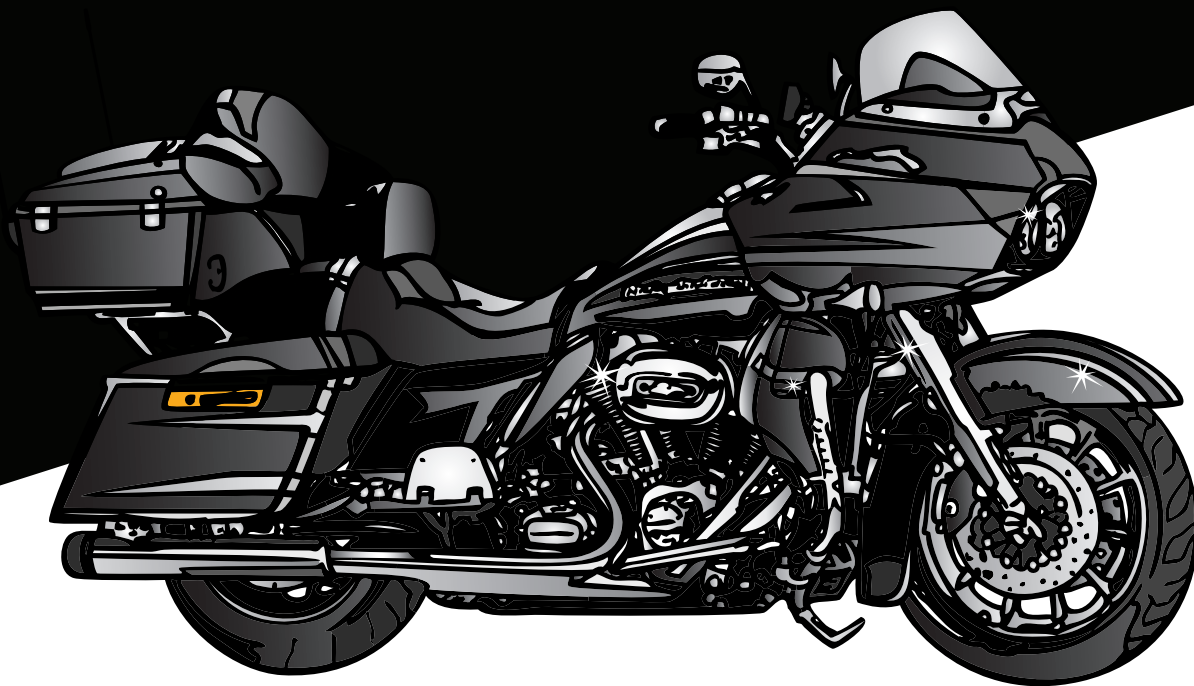


REVO ARC

REMOTE RESERVOIR

EXTERNAL MOUNT INSTALL

FITMENT:
2014-2022 HARLEY-DAVIDSON
FLH TOURING MODELS



INSTALLATION GUIDE

English

Please visit www.legend suspensions.com for the translated version of this install guide in the following languages: French, German, Italian, and Spanish. Please choose your preferred language at the top of the page and then choose the product you purchased. The install guides are located on the bottom of the product page under Product Downloads.

Spanish

Visite www.legend suspensions.com para obtener la versión traducida de esta guía de instalación en los siguientes idiomas: francés, alemán, italiano y español. Elija su idioma de preferencia en la parte superior de la página y luego elija el producto que compró. Las guías de instalación se encuentran en la parte inferior de la página del producto, en la sección Descargas de productos.

German

Besuchen Sie bitte www.legend suspensions.com für die übersetzte Version dieser Installationsanleitung in den folgenden Sprachen: Französisch, Deutsch, Italienisch und Spanisch. Wählen Sie bitte oben auf der Seite Ihre bevorzugte Sprache und anschließend das von Ihnen gekaufte Produkt aus. Die Installationsanleitungen finden Sie am unteren Rand der Produktseite unter Produkt-Downloads.

French

Veillez visiter le site : www.legend suspensions.com pour la version traduite de ce guide d'installation dans les langues suivantes : français, allemand, italien et espagnol. Veuillez choisir votre langue préférée en haut de la page, puis choisissez le produit que vous avez acheté. Les guides d'installation sont disponibles au bas de la fiche produit sous Téléchargements de produits.

Italian

Prego consultare www.legend suspensions.com per la versione tradotta della presente guida di installazione nelle seguenti lingue: francese, tedesco, italiano, e spagnolo. Prego scegliere la lingua preferita in cima alla pagina e in seguito scegliere il prodotto acquistato. Le guide di installazione si trovano in fondo alla pagina di prodotto sotto Scaricamenti di Prodotti.

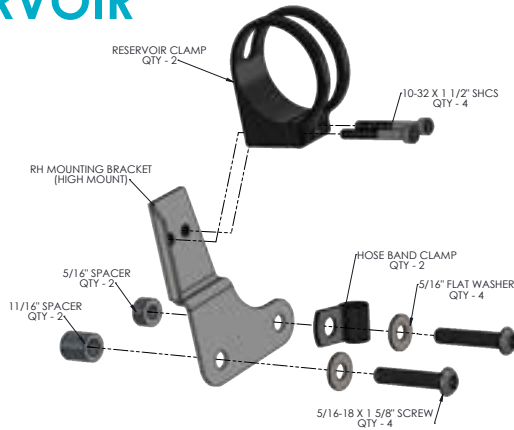


FIGURE A
HIGH MOUNT-W/ TOUR-PAK
W/ DOCKING HARDWARE KIT

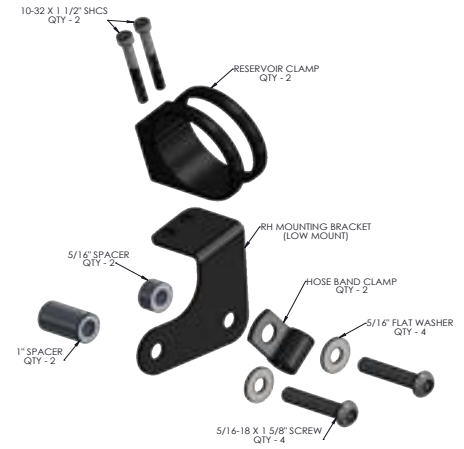


FIGURE B
LOW MOUNT- NO TOUR-PAK
NO DOCKING HARDWARE KIT



Step One:

- a. Install shocks according to the shock installation instructions.



Step Two

Note 1: If the motorcycle is equipped with a fixed tour-pak or a 4-point docking hardware kit (mounting points for tour-pak, passenger backrest, or luggage rack) the high mounts must be used (**Figures A & C**). When using the high mounts, position the clamps on the reservoirs to ensure the tour pack, back rest, and/or rear rack clear the reservoirs. If not equipped with docking hardware, the low mounts can be used (**Figures B & D**).

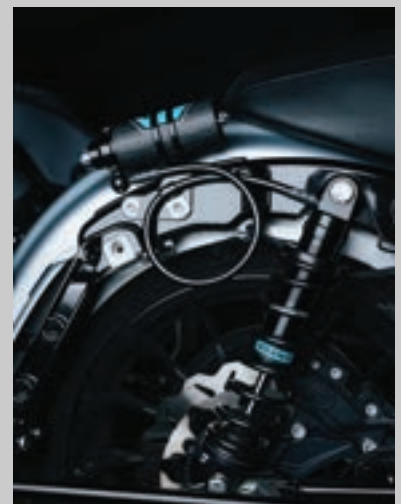
- a. Install mounting brackets using the supplied 5/16" x 1 5/8" screws, and corresponding spacers. When using the high mounts, the left and right mounts must be oriented with the bent tab facing outward on the motorcycle (**Figure A**). When using the low mounts, the threaded holes must be oriented towards the inside of the motorcycle (**Figure B**).
- b. Install the clamp around the reservoir, wrap hose around to form a loop, (**Figure C & D**) and use the supplied 10-32 x 1 1/2" SHCS screws to fasten the reservoir clamps to the mounting brackets.
- c. Install the hose band clamp around the hose and fasten to motorcycle with the front 5/16" x 1 5/8" mounting bracket screw. (**Figure C & D**).

Note 2: Make sure the hose is not too tight between the hose band clamp and the shock, to allow for movement as the shock compresses. Check that the hose does not have any sharp bends and will not rub on any sharp edges, brake rotor, or belt.

FIGURE C



FIGURE D



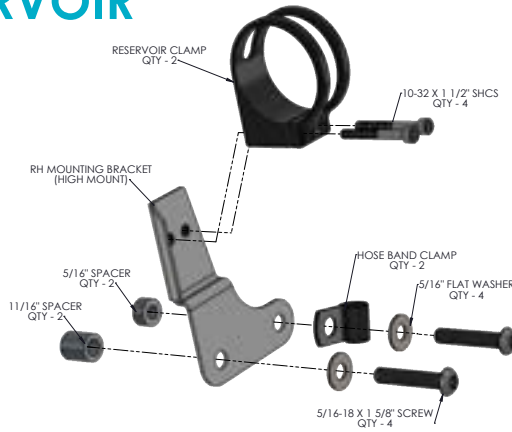


FIGURE A
HIGH MOUNT-W/ TOUR PAK
W/ DOCKING HARDWARE KIT

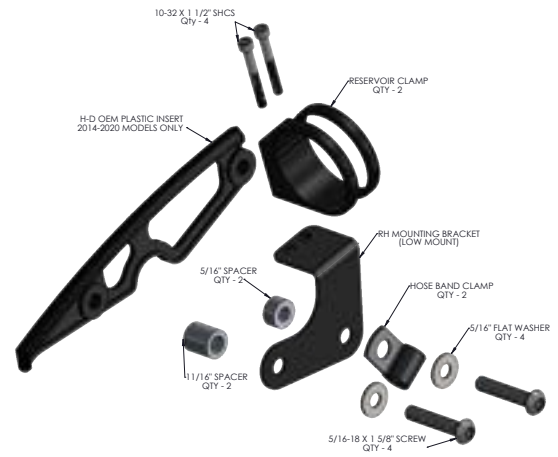


FIGURE B
LOW MOUNT-NO TOUR-PAK
NO DOCKING HARDWARE KIT



Step One:

- a. Install shocks according to the shock installation instructions.



Step Two

Note 1: If the motorcycle is equipped with a fixed tour-pak or a 4-point docking hardware kit (mounting points for tour-pak, passenger backrest, or luggage rack) the high mounts must be used (**Figures A & C**). When using the high mounts, position the clamps on the reservoirs to ensure the tour pack, back rest, and/or rear rack clear the reservoirs. If not equipped with docking hardware, the low mounts can be used (**Figures B & D**).

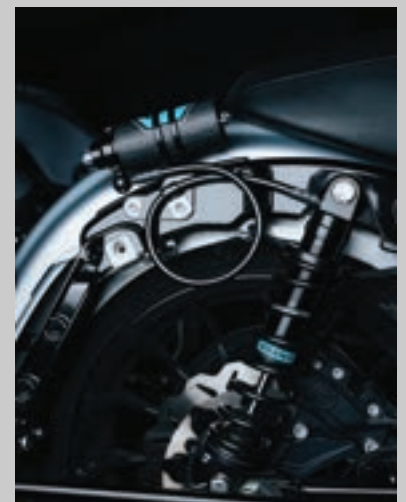
- a. Install mounting brackets using the supplied 5/16" x 1 5/8" screws and corresponding spacers. When using the high mounts, the left and right mounts must be oriented with the bent tab facing outward on the motorcycle (**Figure A**). When using the low mounts, the threaded holes must be oriented towards the inside of the motorcycle (**Figure B**).
- b. Install the clamp around the reservoir, wrap hose around to form a loop, (**Figure C & D**) and use the supplied 10-32 x 1 1/2" SHCS screws to fasten the reservoir clamps to the mounting brackets.
- c. Install the hose band clamp around the hose and fasten to motorcycle with the front 5/16" x 1 5/8" mounting bracket screw. (**Figure C & D**).

Note 2: Make sure the hose is not too tight between the hose band clamp and the shock, to allow for movement as the shock compresses. Check that the hose does not have any sharp bends and will not rub on any sharp edges, brake rotor, or belt.

FIGURE C



FIGURE D



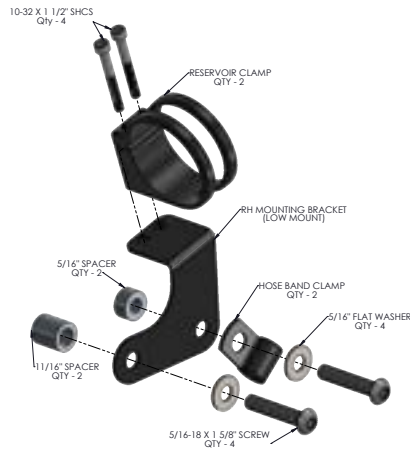


FIGURE A
LOW MOUNT ONLY-NO TOUR-PAK
NO DOCKING HARDWARE KIT



Step One:

- Install shocks according to the shock installation instructions.



Step Two

Note 1: On 2009-2013 models, the only approved reservoir mounting configurations are the standard mounts that are provided with the shocks and the low mounts (**Figure A**) that are included in this kit. If the motorcycle is equipped with a fixed tour-pak or a 4-point docking hardware kit (mounting points for tour-pak, passenger back rest, or rear rack) the high mounts are not compatible and will not be able to be used.

- Install mounting brackets using the supplied 5/16" x 1 5/8" screws and corresponding spacers. The threaded holes must be oriented towards the inside of the motorcycle (**Figure A**).
- Install the clamp around the reservoir, wrap hose around to form a loop, (**Figure A & C**) and use the supplied 10-32 x 1 1/2" SHCS screws to fasten the reservoir clamps to the mounting brackets.
- Install the hose band clamp around the hose and fasten to motorcycle with the front 5/16" x 1 5/8" mounting bracket screw. (**Figure C & D**).

Note 2: Make sure the hose is not too tight between the hose band clamp and the shock, to allow for movement as the shock compresses. Check that the hose does not have any sharp bends and will not rub on any sharp edges, brake rotor, or belt.

FIGURE B

