



Plant Stand by **CLICK & GROW™**

Welcome to your Click and Grow Plant Stand.
We hope this will take your gardening game to the next level.
Thank you for growing with us!

Specifications

Weight: 7kg/15lb 7oz

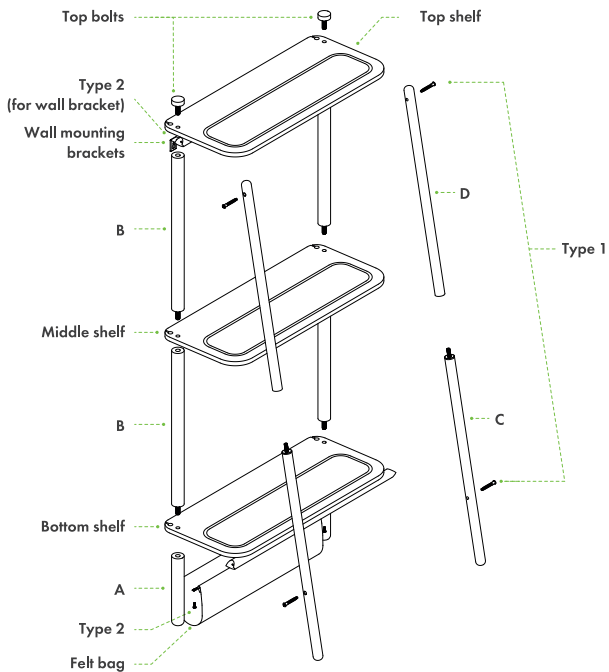
Height w/ SG9

159,5cm/62.8in

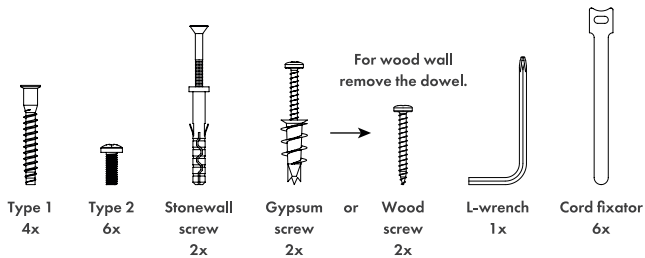
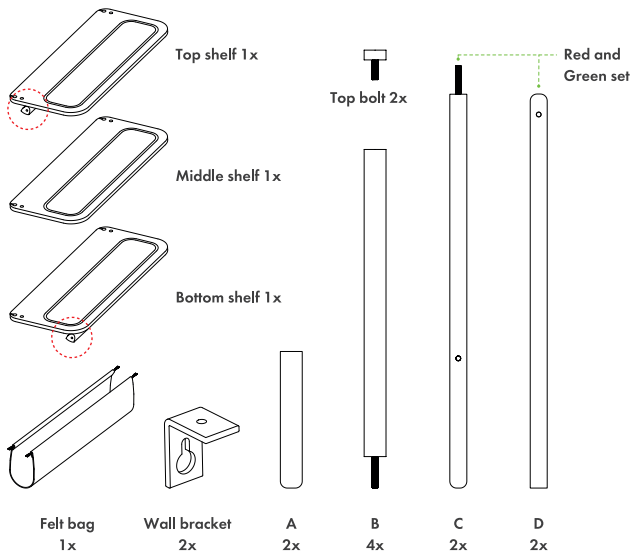
Height: 120cm/47in

Width: 66,5cm/26in

Depth: 26,5cm/10.3in

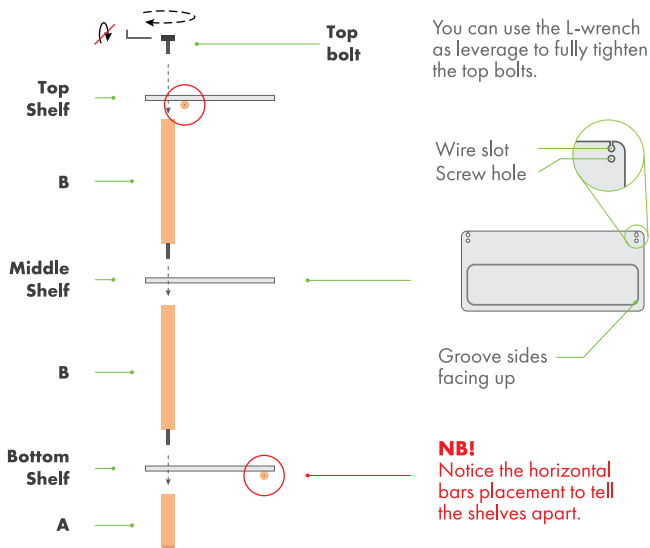


List of parts



Step 1

Assembling the back legs and shelves.

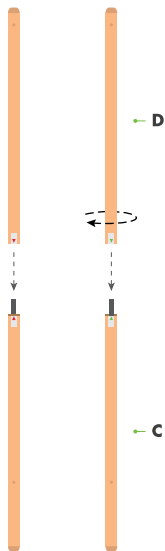


- ① Begin by connecting the **bottom shelf** between **A** bars to **B** bars on both sides. Tighten the parts together by hand.
- ② Repeat the process with the **middle shelf** and second set of **B** bars.
- ③ Finish the step by securing the **top shelf** in place with **top bolts**.

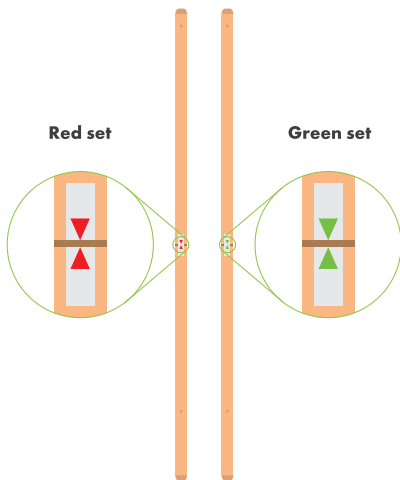
Step 2

Assembling diagonal legs.

Red set Green set



Tighten until the arrows on the stickers point towards each other. This will ensure the screw holes are aligned.



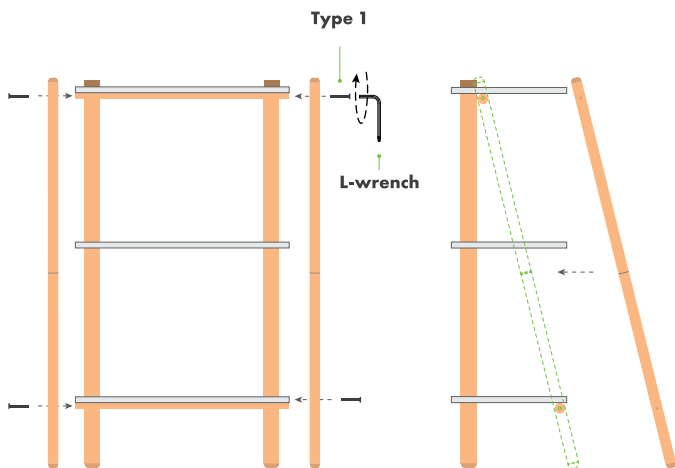
- 1 Assemble the bottom **C** bar and top **D** bar.

NB! Tighten the bars so that the arrows on the stickers align and the colors match.

- 2 Repeat the process with the second set.

Step 3

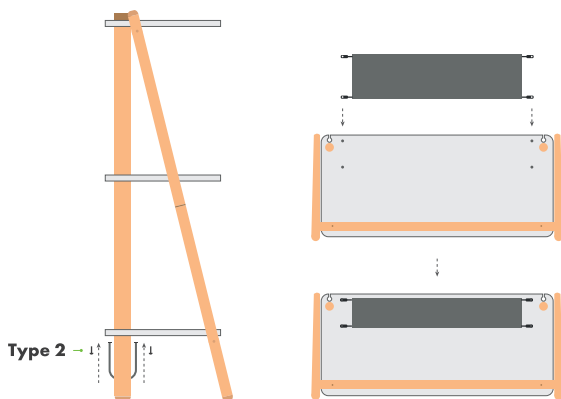
Attaching the diagonal legs to the Plant Stand.



Attach both diagonal legs to the horizontal bars with **Type 1** screws. Use the **L-wrench** for the screws.

Step 4

Attaching the felt bag.

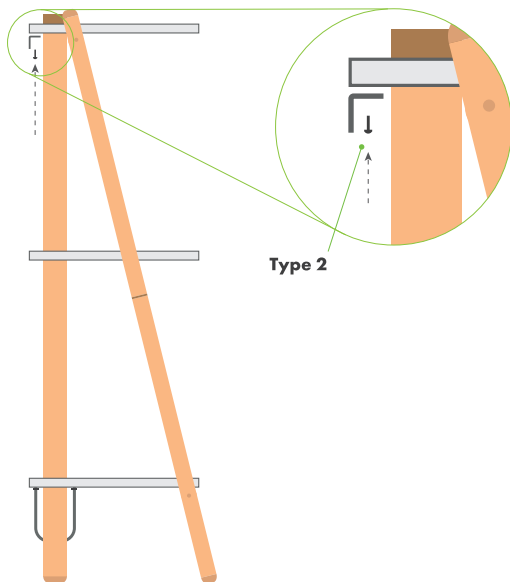


Attach the felt bag with **Type 2** screws.

The felt bag can hold your power adaptors, extensions and other accessories.

Step 5

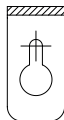
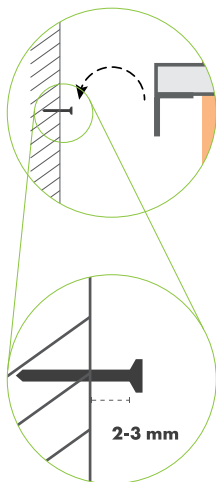
Mounting the Plant Stand to a wall.



Although the unit is freestanding, we recommend mounting it to a wall for improved stability and safety.

- ① Attach the wall brackets to the underside of the upper shelf with **Type 2** screws.

NB! There are different types of screws for wooden, dry and stonewall with your Plant Stand. Please check the Parts List at the beginning of this manual.

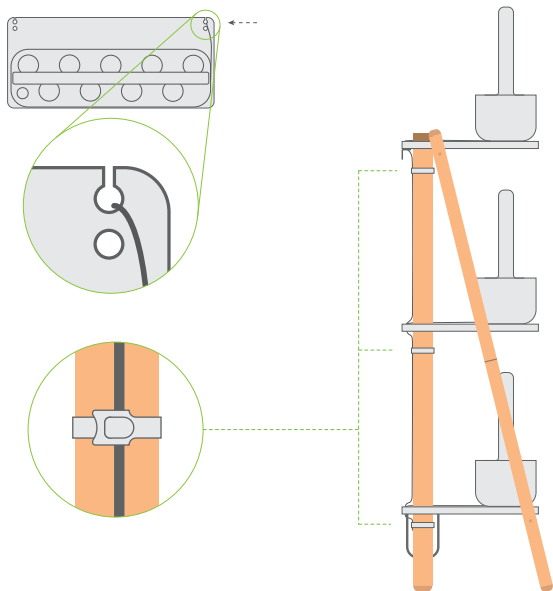


**Screw hole
Alignment**

- ② Place the Plant Stand against the wall you want to attach it to. Use a pencil to mark the screw holes on the wall (note the screw hole alignment drawing). Leave 2-3mm/0.08inch of screw heads unscrewed from the wall.
- ③ Mount the plant stand to the wall by slightly lifting the unit.

Step 6

Placing the Smart Gardens and fixing the cords.



Your Plant Stand is now fully assembled.

Fit your Smart Garden 9s into the grooves on the shelves.

You can fit the cords into slots in the shelves and secure them to the back leg with provided **Cord fixators** for a cleaner look.

Pro Tips for A Perfect Garden

Remember:

- Get the Click and Grow app from the App Store, Google Play or go to www.clickandgrow.com/activate
- Remove the germination domes once the plants have sprouted.
- Letting the plants grow too close to the lamp is not good for them.
- Keep the float level with the top of the garden. Add water when the float reaches the bottom. Make sure not to overfill!
- Keep the plastic plant cups and domes. They are reusable for your next growing experience.
- You can use the leftover space on the shelves (just behind the gardens) to store domes or accessories, so you don't lose them.

You can expect sprouts to appear in 1–3 weeks.

Different plants grow at different paces, so some of them will sprout within a week, while others may take up to 3 weeks.

Be patient!

Personalize the lamp cycle.

The lamp has an automatic cycle: 16 hours on, 8 hours off. The cycle starts the minute you plug your lamp in. To reset the lamp's schedule, unplug the garden and then plug it in at the time of day when you want the cycle to start. It's as easy as that!

Ensure you always have Plant Pods at hand by subscribing to automatic deliveries through our website. Save in time and money!

Our Community

Find us on social media:

@clickandgrow     

Click & Growers group.

Our unique Click & Growers community is the meeting place for indoor gardeners. See what other gardeners around the world are growing and learn new things about indoor gardening every day. Find Click & Growers on Facebook.

Click & Growers 'Ask a Gardener' forum.

Start a conversation or ask any gardening related question - our own Click & Grow gardeners are always there to help!
Head to gardeners.clickandgrow.com

Read the latest plant care tips & tricks on our blog.
Head to [Blog - News - Click & Grow](#)

We would love to see how your plants are growing!
Use [#clickandgrow](#) when you are posting photos on social media

Get support: support.clickandgrow.com

CLICK & GROW™



Boost your plant-skills with the Click & Grow app!
Keep track of your plants and gardens. Get care tips,
discover fun facts and earn points that convert to prizes!