



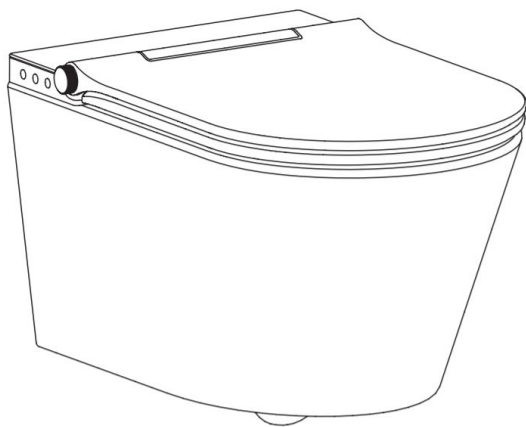
verotti

— Bathroom Culture —

WALL HUNG

INTEGRATED INTELLIGENT WC INSTALLATION

Apply to ET.300X, ET.300S, IN.300X





Important Notice

Installation Instructions

Installation instructions are used to guide the correct installation method of Verotti's Integrated Intelligent Wall Faced Pans. Please read thoroughly prior to installation.

Icon and Identification

 **Danger** Lead to serious injury or even death.

 **Caution** Operation practice without physical injury.


Please read the instructions in this chapter

Target Reader and Installer Qualifications

This smart toilet with water pipe can only be installed by qualified plumbers.

Electrical installation can only be carried out by qualified electricians.


Safety Instructions

 **Caution** Product and/or performance damage

* Be sure to abide by the national/regional standards and local installation regulations.


 **Caution** Product damage caused by the frozen water

* It is forbidden to install smart toilets in rooms with the risk of frost. The lowest indoor temperature is not less than 4°C.

 **Caution** Product damage caused by condensation

* When the smart toilet is moved from the low temperature to the high temperature environment, please unplug the power for several hours firstly.

Forbid to dismantle independent components

 **Danger** Deadly electric shock danger!

* If the power cord is damaged, it must be replaced by the manufacturer's maintenance personnel or professionals.

* Appliance must be properly connected to ground.

* Fixed wiring must be equipped with an electric shock distance device under full-pole disconnection over-voltage level III conditions according to wiring rules.

* Specification of fixed wiring power supply wire is 1-2.5 square millimeters of cross section area.

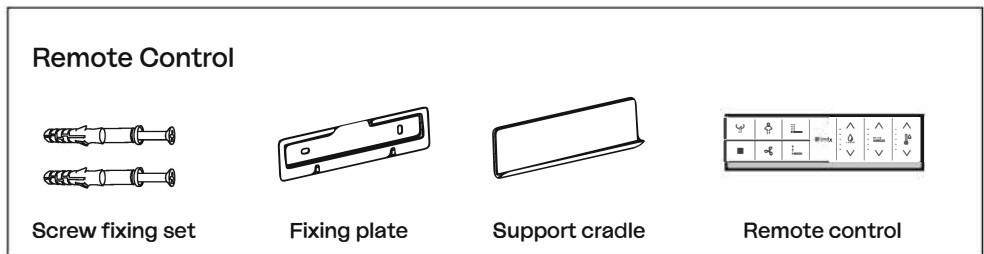
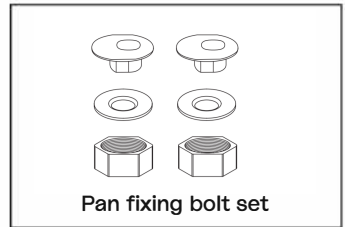
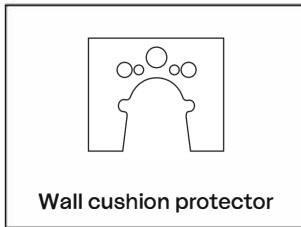
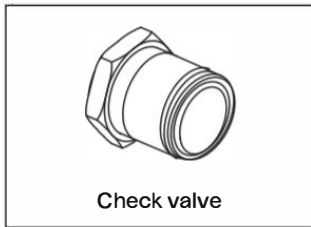
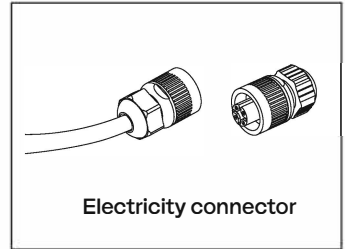
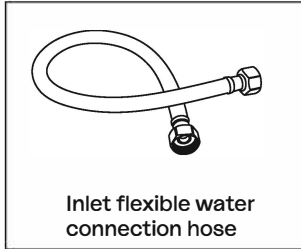
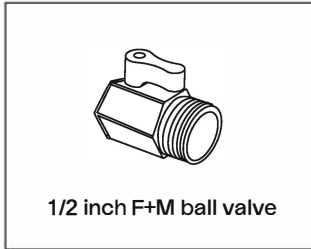
* Ensure that the grounding end of the power supply line is 10 mm longer than that of the fire line (L) and the zero line (N).

 **Caution**

* The unit of length in this installation instruction is millimeters (mm).

NOTE - Please refer to local plumbing code, as an additional backflow device may be a requirement for installation.

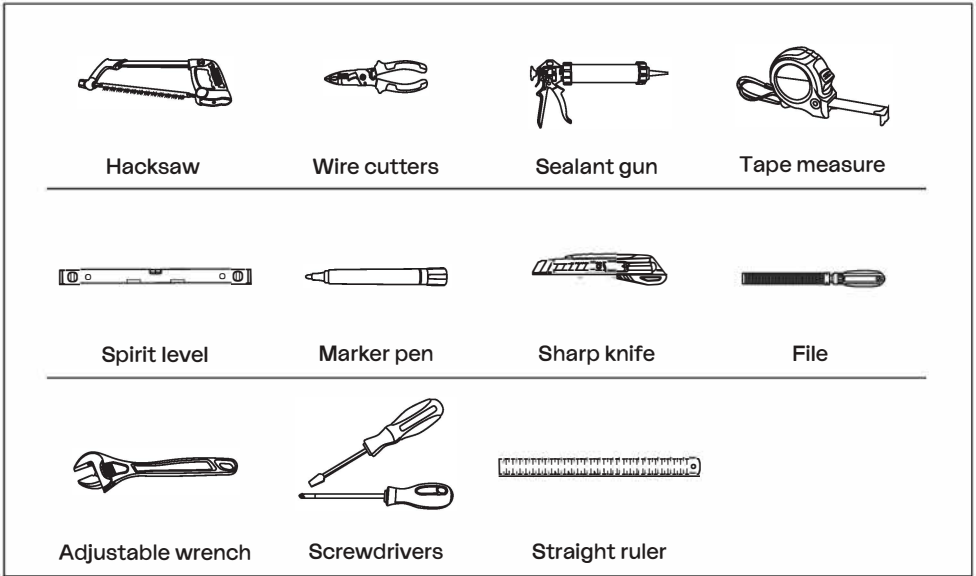
Parts List



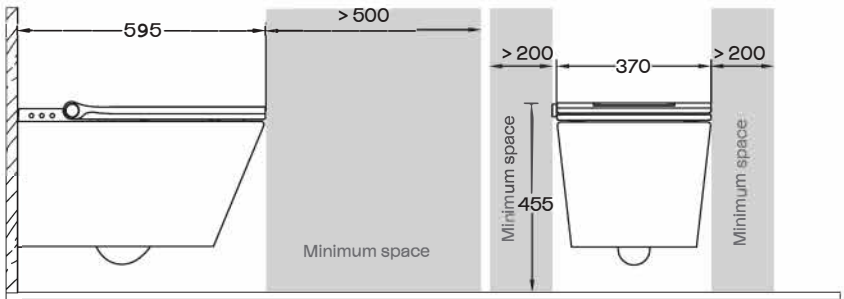
Caution Remote Control Installation

* Please make sure that the toilet is installed before the remote control is installed.

Installation Tools (not supplied)



Technical Drawing



Confirmation before installation

1. The toilet installation area should be equipped with 1/2 inch BP male.
2. The toilet installation area should be equipped with power cord.
3. "*" Recommended size



DANGER

This operation should be carried out by professionals.

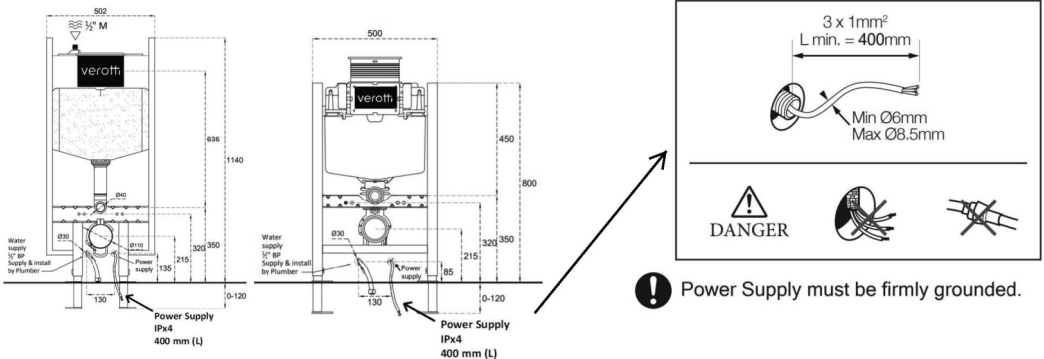
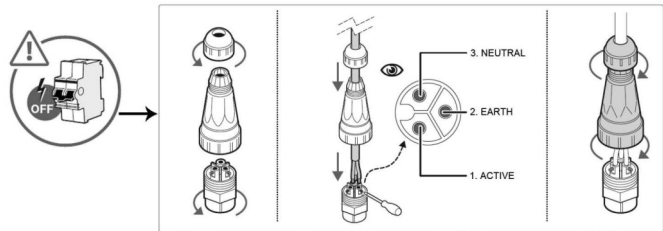
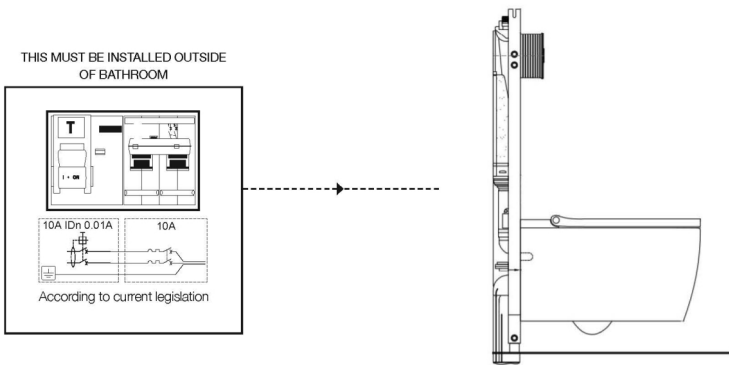
Electrical Requirements



MANDATORY

1. The electrical components of the Verotti Intelligent Toilet must be protected by a 10A RCD and a 10A magnothermic switch. Both switches MUST be placed outside of the bathroom.
2. A fixed power connection must be connected by a dedicated flexible power cable consisting of 3 wires (active, neutral and earth) of a least 1mm². The connection must be done inside an IPX4 or better junction box. If it is necessary to replace the power cable, this must be completed by a qualified person.

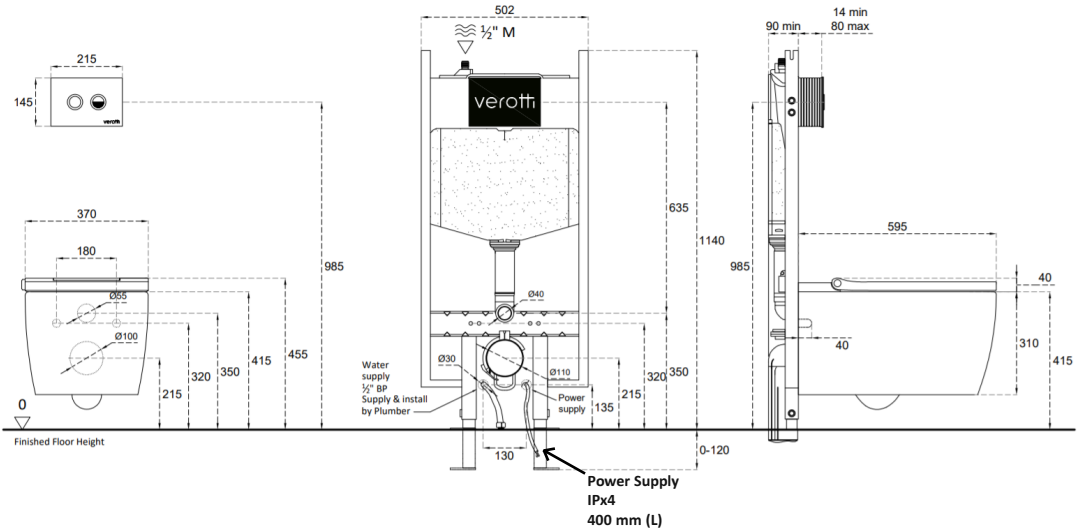
NOTE: Any electrical work conducted on this product must be installed by a qualified person in accordance with AS/NZ 3000 Wiring Rules. Please consult with a qualified electrician to confirm an appropriate installation location. No additional electrical equipment should be fitted inside the WC. This product (IPX4) shall not be exposed to water jets for cleaning purposes.



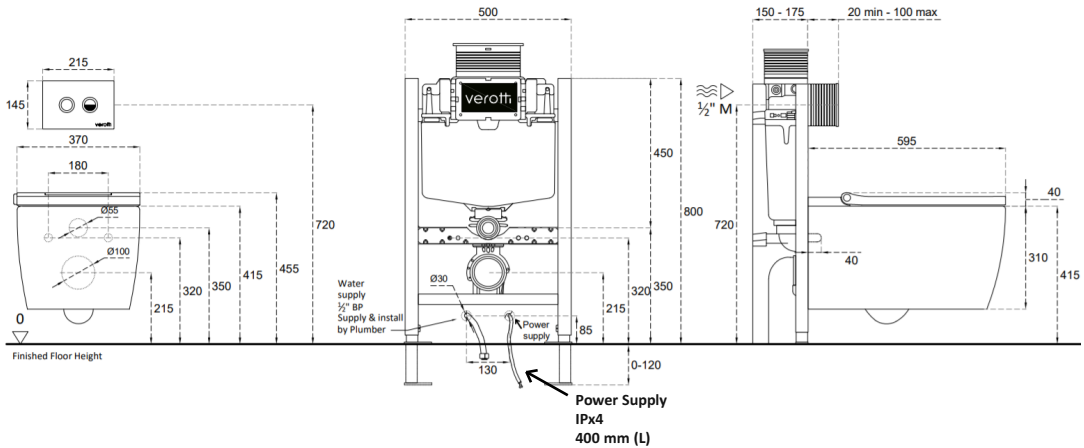
Installation Note

The installation details provided below can differ based on the cistern + frame which is used per application.

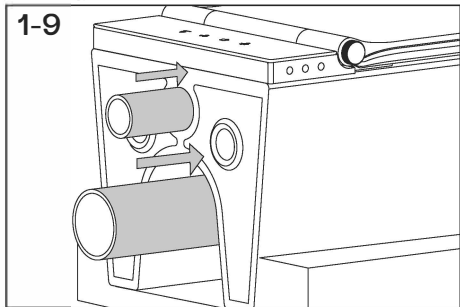
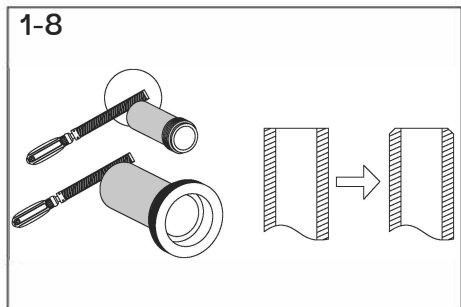
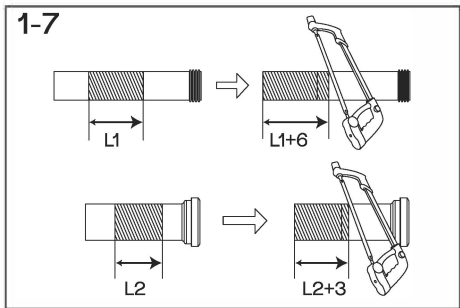
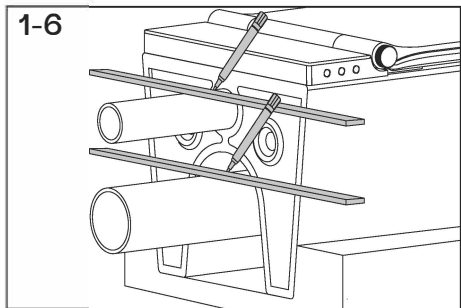
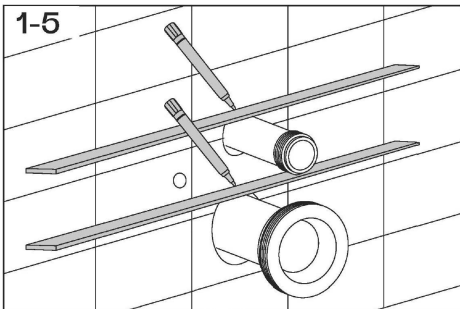
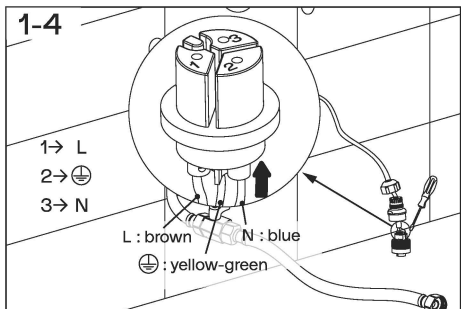
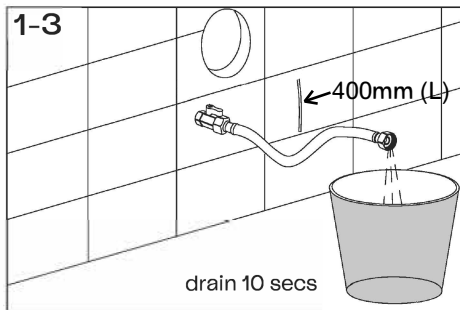
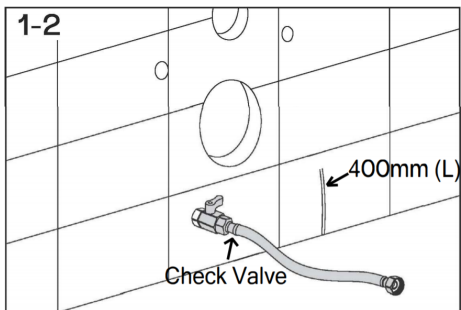
Installation Mode 1 - VI.300 Verotti Slim Cistern + Frame

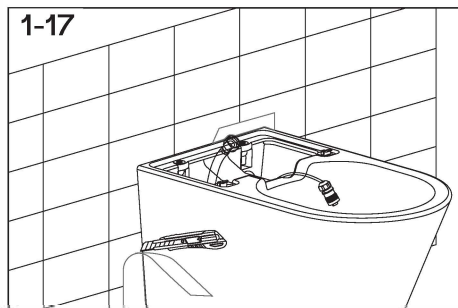
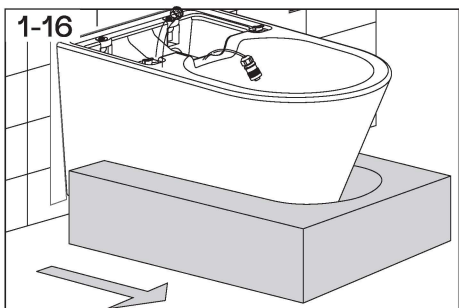
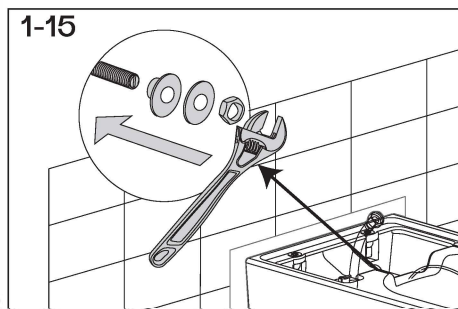
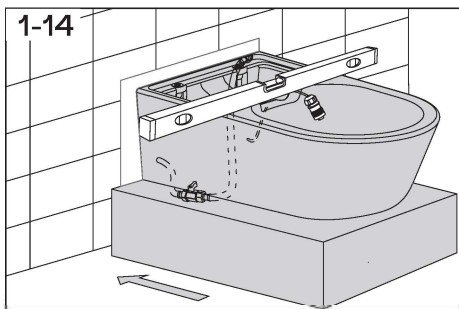
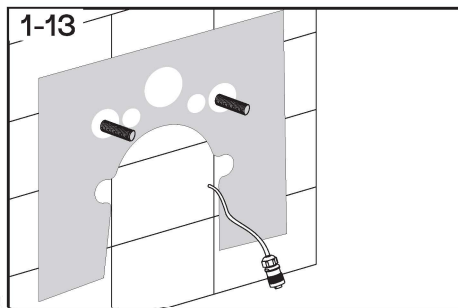
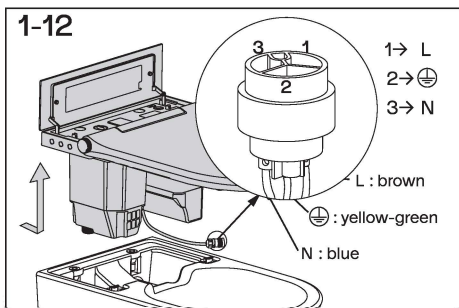
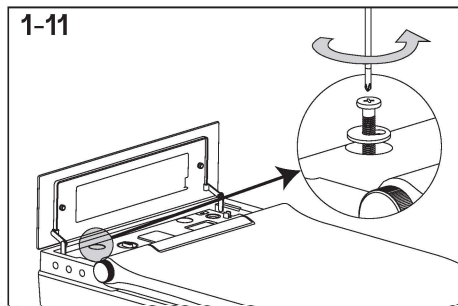
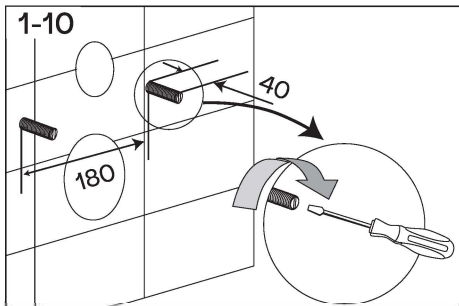


Installation Mode 2 - VI.300LL Low Level Cistern + Frame

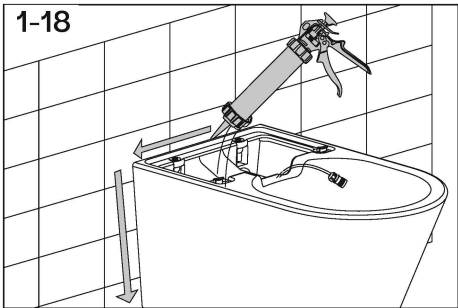


The installation details above are based on supply of Verotti in-wall cisterns only. Measurements may differ when using other brands of cistern.

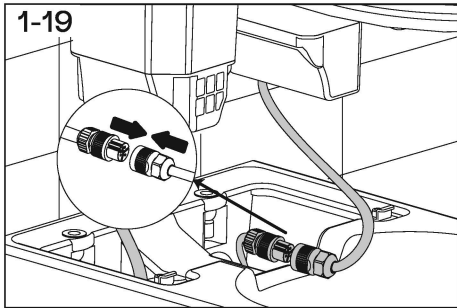




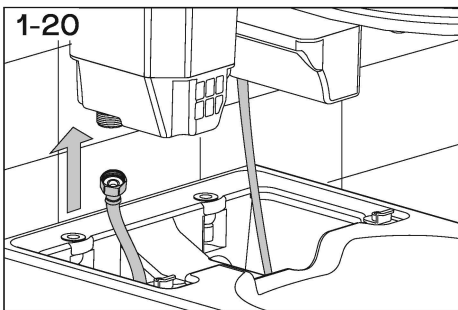
1-18



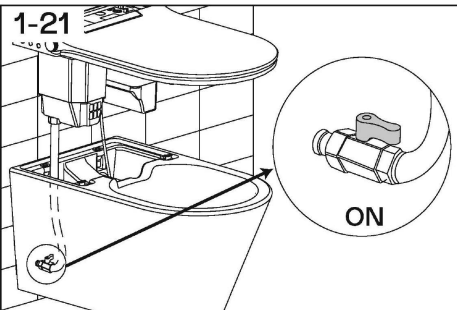
1-19



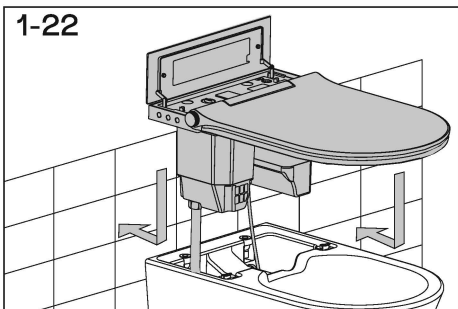
1-20



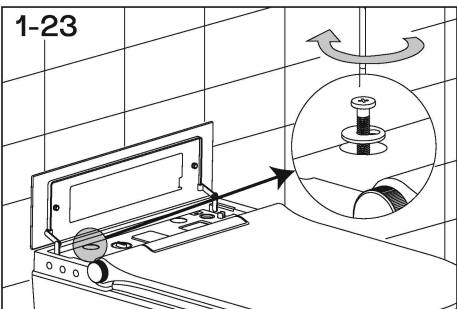
1-21



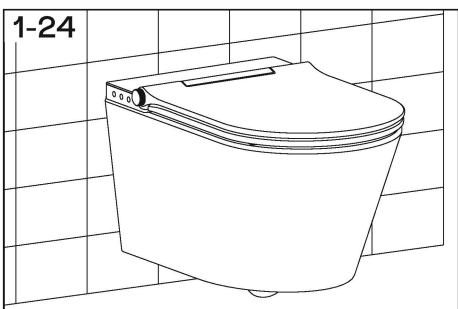
1-22



1-23

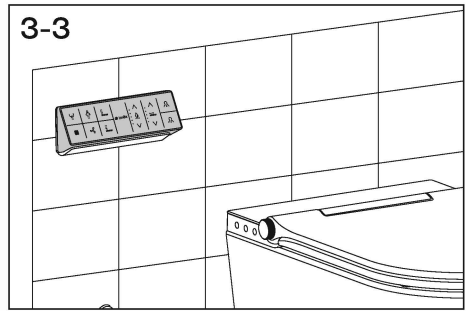
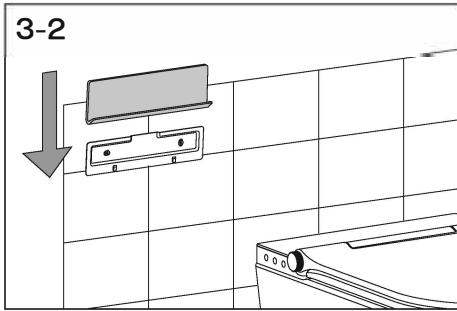
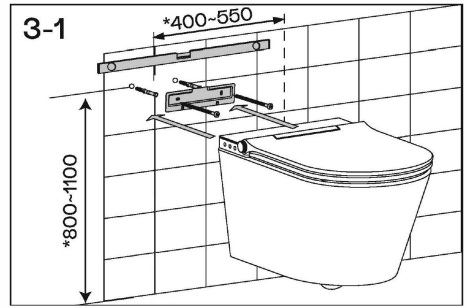


1-24



Remote Control Installation

“*”Recommended size



Add. Building M, 61-65 Roberts Road
Greenacre NSW 2190 Australia
Tel: 1300 837 688
Fax: 1300 837 688
Email: info@verotti.com
Website: www.verotti.com