

# SPECIFICATIONS

## INTEGRATED INTELLIGENT WC'S

As we transition into a new decade, a smart home revolution is sweeping the globe with millions of people adapting to new technology. Smart technology has influenced our most used everyday items and re-created them to simplify daily life.

Verotti's integrated Intelligent WC's incorporate the latest technology, combining aesthetics & function while optimizing the highest standard of personal hygiene & comfort.

ECO-FRIENDLY-Improving your IQ in your bathroom can have a significant impact on the overall efficiency of your home by reducing your household running costs & reducing your environmental footprint. Verotti's SMARTWASH integrated intelligent WC's enhanced features not only provide an enhanced user experience and optimum hygiene, they contribute to environmental sustainability through a reduction in water consumption and toilet paper waste.

CULTURE & WELLBEING-Water is one of the most important natural resources on earth. As well as sustaining and hydrating us, we use water on a daily basis to shower, bathe and wash. This practice has transcended from ancient to modern culture to become the most important substance in the bathroom. Verotti's SMARTWASH Integrated Intelligent WC's allow the user to experience a truly personalised wash. Using water to wash leaves you feeling clean, refreshed and revitalised after every visit to your bathroom.



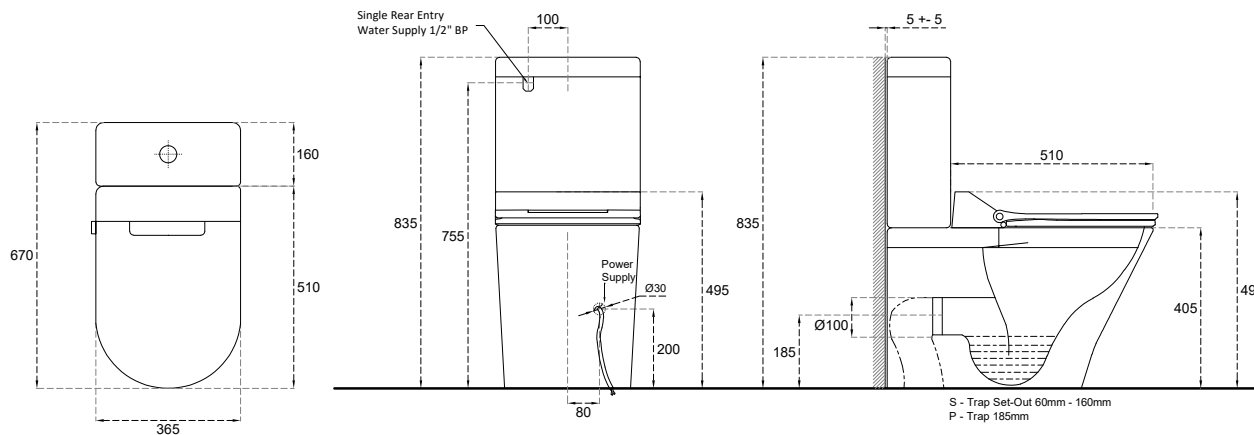
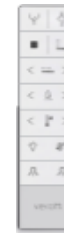
# SPECIFICATIONS

**Model:** ETERNITY INTELLIGENT BTW TOILET SUITE  
**Code:** ET.100

**Features:**



- \*RIMLESS FLUSH
- \*REMOTE CONTROL/MANUAL CONTROL
- \*GENDER SPECIFIC FUNCTIONS
- \*OSCILLATING FUNCTION
- \*PULSATING FUNCTION
- \*ADJUSTABLE TEMPERATURE
- \*ADJUSTABLE FLOW
- \*ADJUSTABLE SPRAY POSITION
- \*AUTOMATED SELF CLEANING
- \*REMOVABLE WAND CLEANING
- \*PATENTED LIFT OFF SOFT CLOSE SEAT
- \*LOW POWER STANDBY MODE
- \*LED NIGHT LIGHT
- \*INSTANTANEOUS WATER HEATING
- \*DESCALING FUNCTION
- \*SINGLE WATER SUPPLY POINT
- \*IPX4 CONNECTION



# SPECIFICATIONS

**Wc:** ETERNITY INTELLIGENT WALL FACE PAN  
**Code:** ET.200U

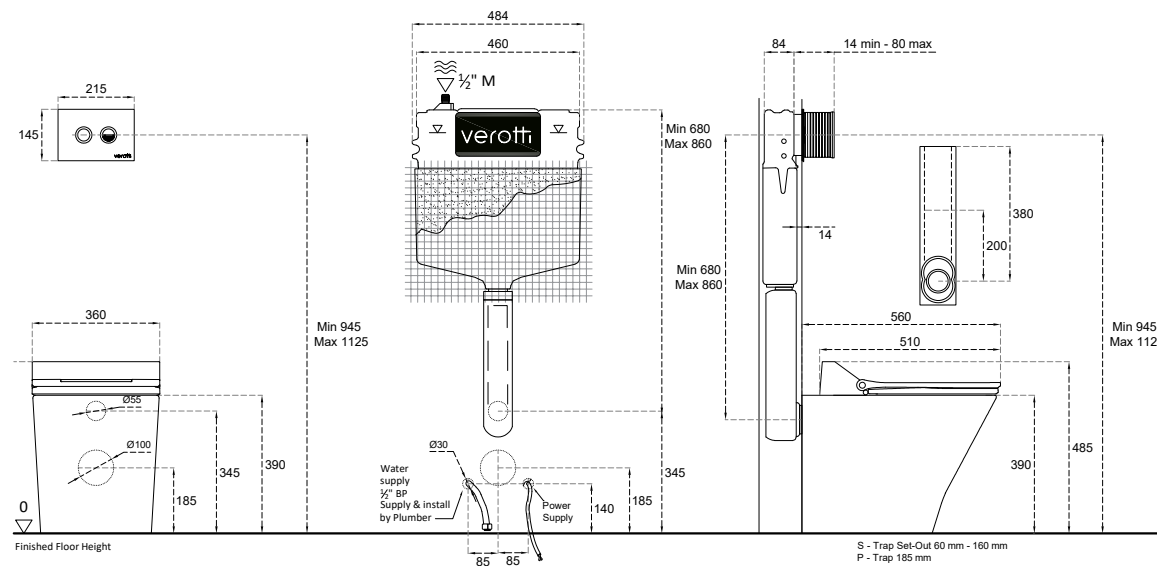
**Cistern:** VEROTTI SLIM  
**Code:** VI.200

**Flush Plate:** PLEASE VISIT OUR WEBSITE FOR YOUR SELECTION [www.verotti.com](http://www.verotti.com)

**Features:**



- \*RIMLESS FLUSH
- \*REMOTE CONTROL/MANUAL CONTROL
- \*GENDER SPECIFIC FUNCTIONS
- \*OSCILLATING FUNCTION
- \*PULSATING FUNCTION
- \*ADJUSTABLE TEMPERATURE
- \*ADJUSTABLE FLOW
- \*ADJUSTABLE SPRAY POSITION
- \*AUTOMATED SELF CLEANING
- \*REMOVABLE WAND CLEANING
- \*PATENTED LIFT OFF SOFT CLOSE SEAT
- \*LOW POWER STANDBY MODE
- \*LED NIGHT LIGHT
- \*INSTANTANEOUS WATER HEATING
- \*DESCALING FUNCTION
- \*IPX4 CONNECTION



# SPECIFICATIONS

**Wc:** ETERNITY INTELLIGENT WALL FACE PAN  
**Code:** ET.200U

**Cistern:** VEROTTI LOW-LEVEL / UNDER COUNTER  
**Code:** VI.200LL

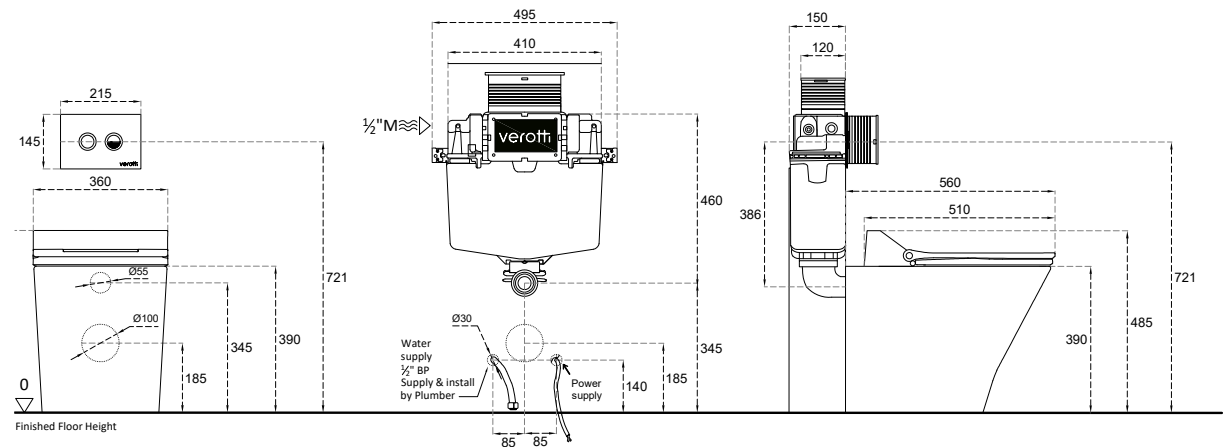
**Flush Plate:** PLEASE VISIT OUR WEBSITE FOR YOUR  
 SELECTION [www.verotti.com](http://www.verotti.com)



**Features:**



- \*RIMLESS FLUSH
- \*REMOTE CONTROL/MANUAL CONTROL
- \*GENDER SPECIFIC FUNCTIONS
- \*OSCILLATING FUNCTION
- \*PULSATING FUNCTION
- \*ADJUSTABLE TEMPERATURE
- \*ADJUSTABLE FLOW
- \*ADJUSTABLE SPRAY POSITION
- \*AUTOMATED SELF CLEANING
- \*REMOVABLE WAND CLEANING
- \*PATENTED LIFT OFF SOFT CLOSE SEAT
- \*LOW POWER STANDBY MODE
- \*LED NIGHT LIGHT
- \*INSTANTANEOUS WATER HEATING
- \*DESCALING FUNCTION
- \*IPX4 CONNECTION

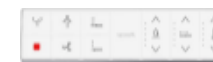


# SPECIFICATIONS

**Wc:** ETERNITY INTELLIGENT WALL FACE PAN  
**Code:** ET.200S

**Cistern:** VEROTTI SLIM  
**Code:** VI.200

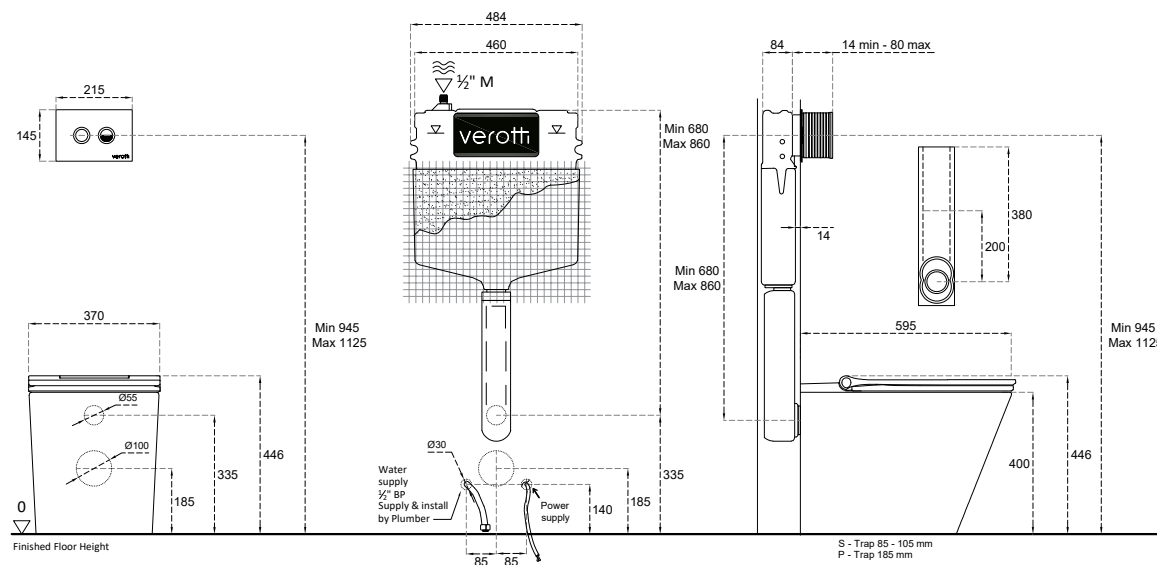
**Flush Plate:** PLEASE VISIT OUR WEBSITE FOR YOUR SELECTION [www.verotti.com](http://www.verotti.com)



## Features:



- \*RIMLESS FLUSH
- \*REMOTE CONTROL/MANUAL CONTROL
- \*GENDER SPECIFIC FUNCTIONS
- \*OSCILLATING FUNCTION
- \*PULSATING FUNCTION
- \*ADJUSTABLE TEMPERATURE
- \*ADJUSTABLE FLOW
- \*ADJUSTABLE SPRAY POSITION
- \*AUTOMATED SELF CLEANING
- \*REMOVABLE WAND CLEANING
- \*PATENTED LIFT OFF SOFT CLOSE SEAT
- \*LOW POWER STANDBY MODE
- \*LED NIGHT LIGHT
- \*INSTANTANEOUS WATER HEATING
- \*DESCALING FUNCTION
- \*IPX4 CONNECTION



# SPECIFICATIONS

**Wc:** ETERNITY - S INTELLIGENT WALL FACE PAN  
**Code:** ET.200S

**Cistern:** VEROTTI LOW-LEVEL / UNDER COUNTER  
**Code:** VI.200LL

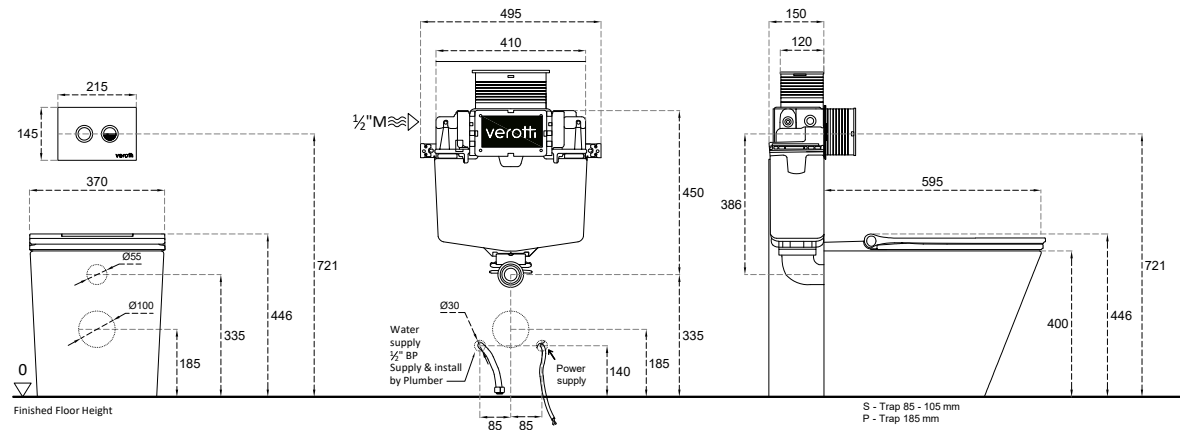
**Flush Plate:** PLEASE VISIT OUR WEBSITE FOR YOUR  
 SELECTION [www.verotti.com](http://www.verotti.com)



**Features:**



- \*RIMLESS FLUSH
- \*PRE WETTING
- \*REMOTE CONTROL/MANUAL CONTROL
- \*GENDER SPECIFIC FUNCTIONS
- \*OSCILLATING FUNCTION
- \*PULSATING FUNCTION
- \*ADJUSTABLE TEMPERATURE
- \*ADJUSTABLE FLOW
- \*DIATOM DEODORISER
- \*ADJUSTABLE SPRAY POSITION
- \*AUTOMATED SELF CLEANING
- \*REMOVABLE WAND CLEANING
- \*LOW POWER STANDBY MODE
- \*LED NIGHT LIGHT
- \*INTEGRATED PATENTED SLIM SOFT CLOSE/LIFT OFF SEAT
- \*INSTANTANEOUS WATER HEATING
- \*SELF CIRCULATING DESCALING FUNCTION
- \*IPX4 CONNECTION



# SPECIFICATIONS

**Wc:** ETERNITY - S INTELLIGENT WALL HUNG PAN  
**Code:** ET.300S

**Cistern:** VEROOTTI SLIM CISTERN & FRAME  
**Code:** VI.300

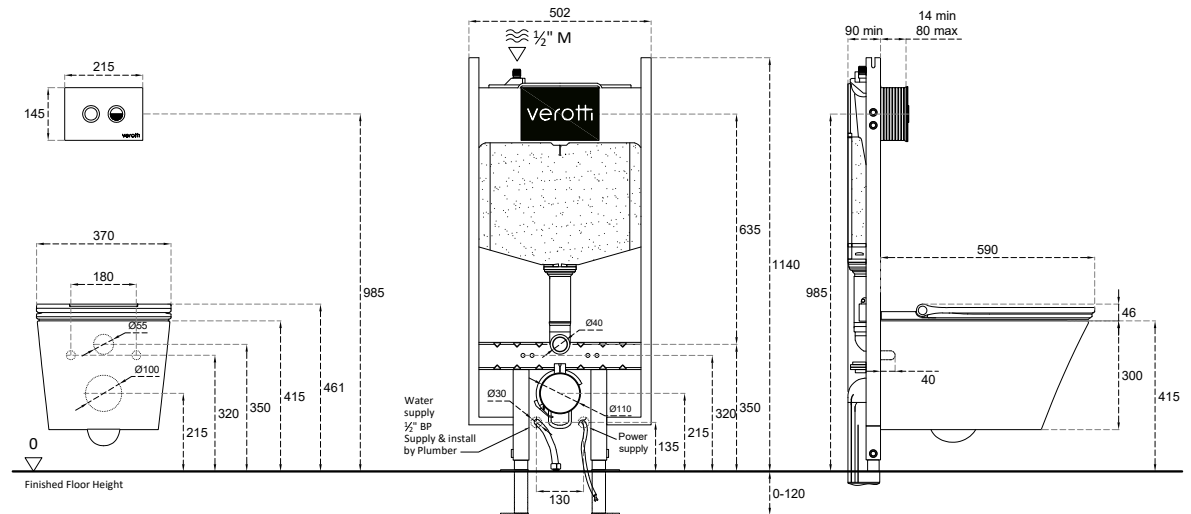
**Flush Plate:** PLEASE VISIT OUR WEBSITE FOR YOUR  
 SELECTION [www.verotti.com](http://www.verotti.com)



**Features:**



- \*RIMLESS FLUSH
- \*REMOTE CONTROL/MANUAL CONTROL
- \*GENDER SPECIFIC FUNCTIONS
- \*OSCILLATING FUNCTION
- \*PULSATING FUNCTION
- \*ADJUSTABLE TEMPERATURE
- \*ADJUSTABLE FLOW
- \*ADJUSTABLE SPRAY POSITION
- \*AUTOMATED SELF CLEANING
- \*REMOVABLE WAND CLEANING
- \*PATENTED LIFT OFF SOFT CLOSE SEAT
- \*LOW POWER STANDBY MODE
- \*LED NIGHT LIGHT
- \*INSTANTANEOUS WATER HEATING
- \*DESCALING FUNCTION
- \*IPX4 CONNECTION



# SPECIFICATIONS

**Wc:** ETERNITY - S INTELLIGENT HUNG FACE PAN  
**Code:** ET.300S

**Cistern:** VEROOTTI LOW LEVEL / UNDER COUNTER CISTERN & FRAME  
**Code:** VI.300LL

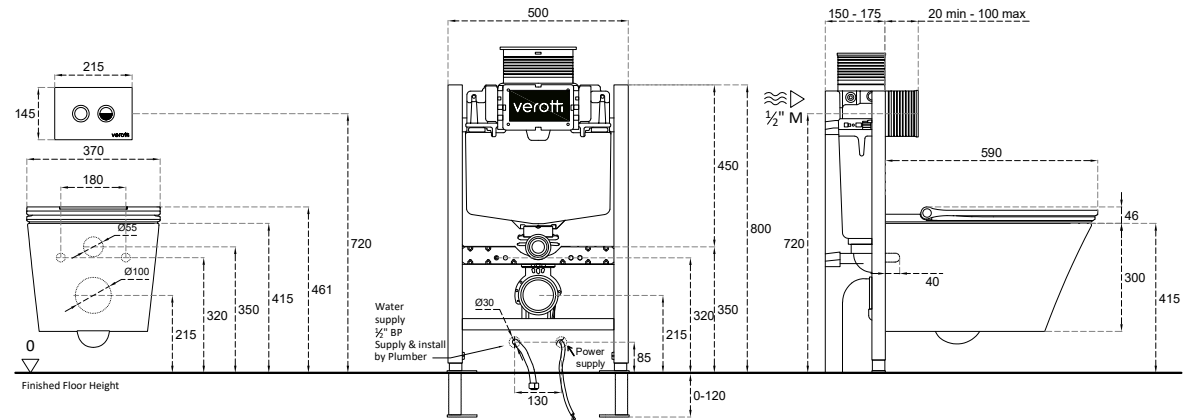
**Flush Plate:** PLEASE VISIT OUR WEBSITE FOR YOUR  
 SELECTION [www.verotti.com](http://www.verotti.com)



**Features:**



- \*RIMLESS FLUSH
- \*REMOTE CONTROL/MANUAL CONTROL
- \*GENDER SPECIFIC FUNCTIONS
- \*OSCILLATING FUNCTION
- \*PULSATING FUNCTION
- \*ADJUSTABLE TEMPERATURE
- \*ADJUSTABLE FLOW
- \*ADJUSTABLE SPRAY POSITION
- \*AUTOMATED SELF CLEANING
- \*REMOVABLE WAND CLEANING
- \*PATENTED LIFT OFF SOFT CLOSE SEAT
- \*LOW POWER STANDBY MODE
- \*LED NIGHT LIGHT
- \*INSTANTANEOUS WATER HEATING
- \*DESCALING FUNCTION
- \*IPX4 CONNECTION





# SPECIFICATIONS

**Wc:** ETERNITY - X INTELLIGENT WALL FACE PAN  
**Code:** ET.200X

**Cistern:** VEROTTI SLIM  
**Code:** VI.200

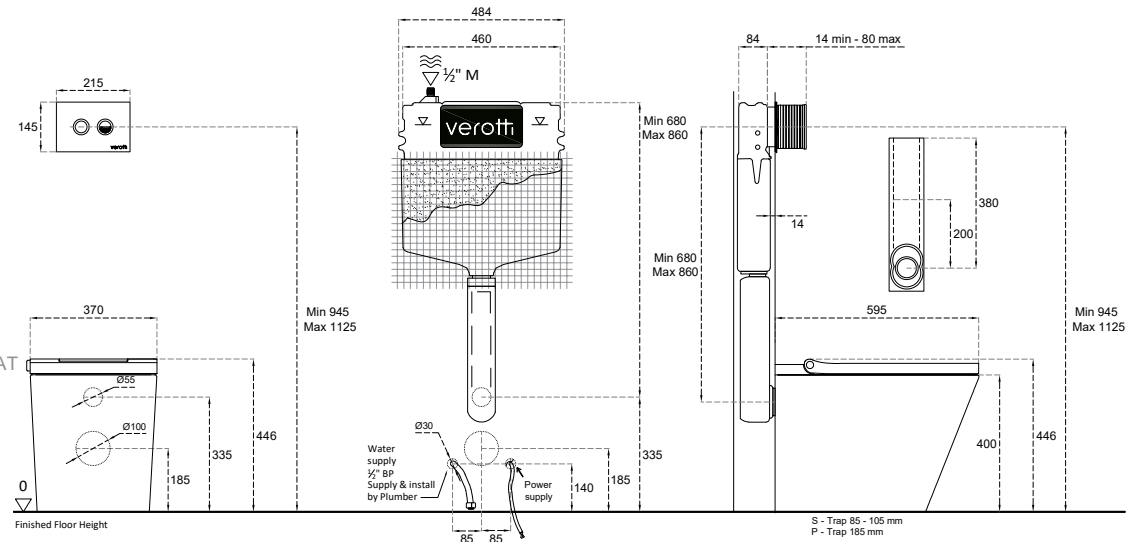
**Flush Plate:** PLEASE VISIT OUR WEBSITE FOR YOUR  
 SELECTION [www.verotti.com](http://www.verotti.com)



**Features:**



- \*PRE WETTING
- \*RIMLESS FLUSH
- \*REMOTE CONTROL/MANUAL CONTROL
- \*GENDER SPECIFIC FUNCTIONS
- \*OSCILLATING FUNCTION
- \*PULSATING FUNCTION
- \*ADJUSTABLE TEMPERATURE
- \*ADJUSTABLE FLOW
- \*DIATOM DEODORISER
- \*ADJUSTABLE SPRAY POSITION
- \* DRYER
- \* ADJUSTABLE DRYER TEMPERATURE
- \*AUTOMATED SELF CLEANING
- \*REMOVABLE WAND CLEANING
- \*LOW POWER STANDBY MODE
- \*LED NIGHT LIGHT
- \*INTEGRATED PATENTED HEATED SOFT CLOSE SEAT
- \*INSTANTANEOUS WATER HEATING
- \*SELF CIRCULATING DESCALING FUNCTION
- \*IPX4 CONNECTION



# SPECIFICATIONS

**Wc:** ETERNITY - X INTELLIGENT WALL FACE PAN  
**Code:** ET.200X

**Cistern:** VEROTTI LOW LEVEL / UNDER COUNTER  
**Code:** VI.200LL

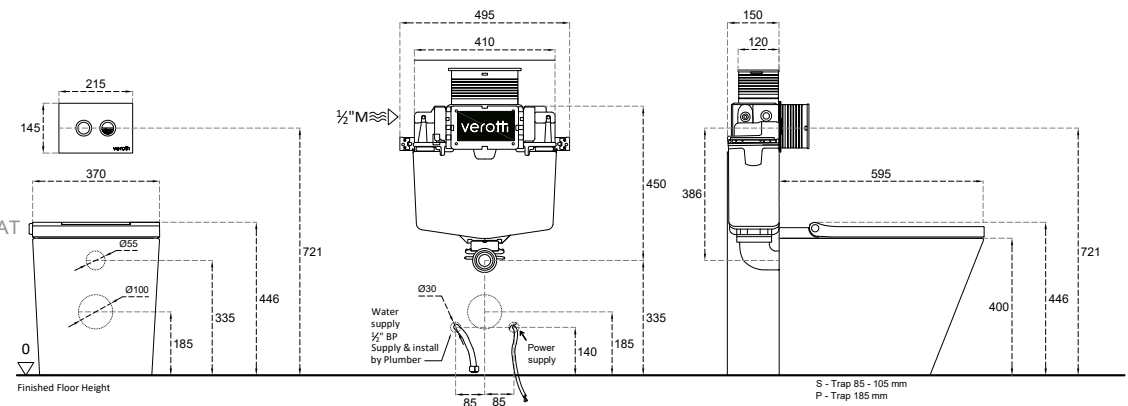
**Flush Plate:** PLEASE VISIT OUR WEBSITE FOR YOUR  
 SELECTION [www.verotti.com](http://www.verotti.com)



**Features:**



- \*PRE WETTING
- \*RIMLESS FLUSH
- \*REMOTE CONTROL/MANUAL CONTROL
- \*GENDER SPECIFIC FUNCTIONS
- \*OSCILLATING FUNCTION
- \*PULSATING FUNCTION
- \*ADJUSTABLE TEMPERATURE
- \*ADJUSTABLE FLOW
- \*DIATOM DEODORISER
- \*ADJUSTABLE SPRAY POSITION
- \* DRYER
- \* ADJUSTABLE DRYER TEMPERATURE
- \*AUTOMATED SELF CLEANING
- \*REMOVABLE WAND CLEANING
- \*LOW POWER STANDBY MODE
- \*LED NIGHT LIGHT
- \*INTEGRATED PATENTED HEATED SOFT CLOSE SEAT
- \*INSTANTANEOUS WATER HEATING
- \*SELF CIRCULATING DESCALING FUNCTION
- \*IPX4 CONNECTION



# SPECIFICATIONS

**Wc:** ETERNITY - X INTELLIGENT WALL HUNG PAN  
**Code:** ET.300X

**Cistern:** VEROTTI SLIM CISTERN & FRAME  
**Code:** VI.300

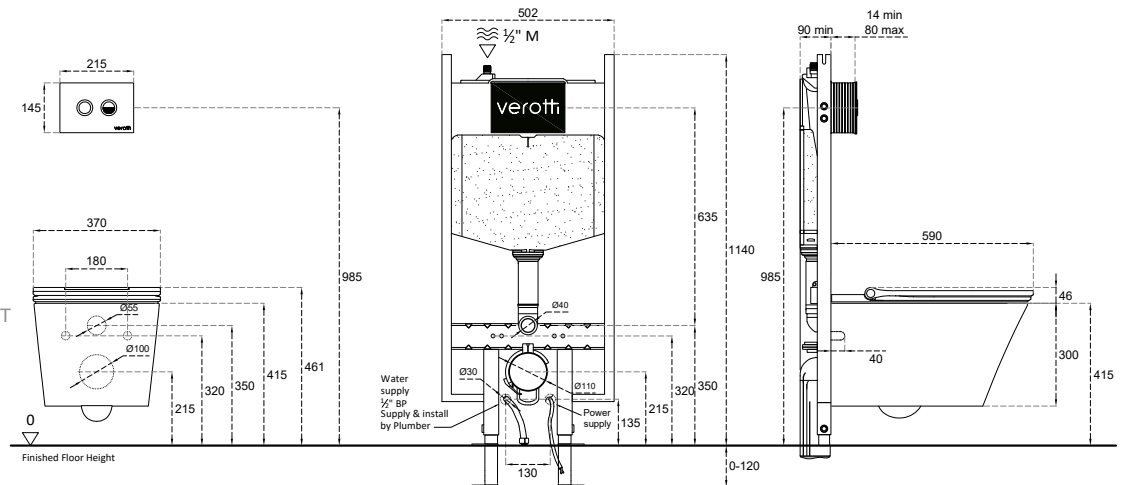
**Flush Plate:** PLEASE VISIT OUR WEBSITE FOR YOUR SELECTION [www.verotti.com](http://www.verotti.com)



**Features:**



- \*PRE WETTING
- \*RIMLESS FLUSH
- \*REMOTE CONTROL/MANUAL CONTROL
- \*GENDER SPECIFIC FUNCTIONS
- \*OSCILLATING FUNCTION
- \*PULSATING FUNCTION
- \*ADJUSTABLE TEMPERATURE
- \*ADJUSTABLE FLOW
- \*DIATOM DEODORISER
- \*ADJUSTABLE SPRAY POSITION
- \* DRYER
- \* ADJUSTABLE DRYER TEMPERATURE
- \*AUTOMATED SELF CLEANING
- \*REMOVABLE WAND CLEANING
- \*LOW POWER STANDBY MODE
- \*LED NIGHT LIGHT
- \*INTEGRATED PATENTED HEATED SOFT CLOSE SEAT
- \*INSTANTANEOUS WATER HEATING
- \*SELF CIRCULATING DESCALING FUNCTION
- \*IPX4 CONNECTION



# SPECIFICATIONS

**Wc:** ETERNITY - X INTELLIGENT WALL HUNG PAN  
**Code:** ET.300X

**Cistern:** VEROTTI LOW LEVEL / UNDER COUNTER CISTERN & FRAME  
**Code:** VI.300LL

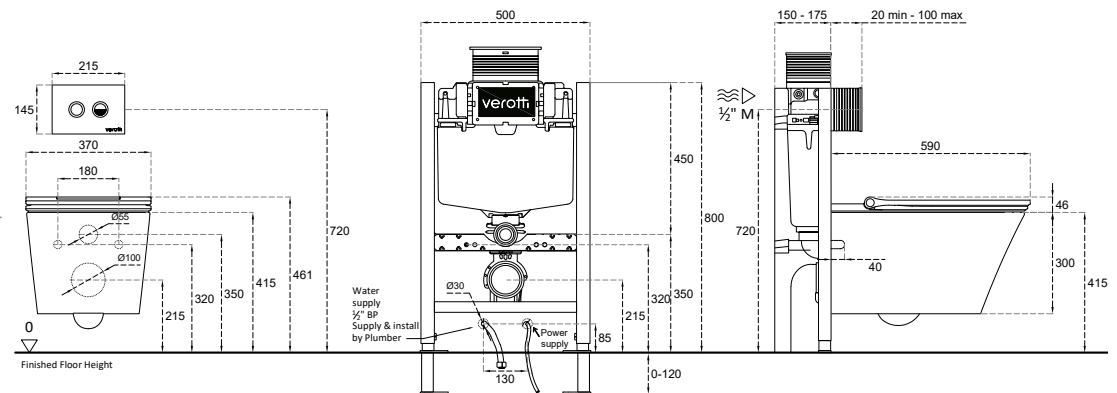
**Flush Plate:** PLEASE VISIT OUR WEBSITE FOR YOUR  
 SELECTION [www.verotti.com](http://www.verotti.com)



**Features:**



- \*PRE WETTING
- \*RIMLESS FLUSH
- \*REMOTE CONTROL/MANUAL CONTROL
- \*GENDER SPECIFIC FUNCTIONS
- \*OSCILLATING FUNCTION
- \*PULSATING FUNCTION
- \*ADJUSTABLE TEMPERATURE
- \*ADJUSTABLE FLOW
- \*DIATOM DEODORISER
- \*ADJUSTABLE SPRAY POSITION
- \* DRYER
- \* ADJUSTABLE DRYER TEMPERATURE
- \*AUTOMATED SELF CLEANING
- \*REMOVABLE WAND CLEANING
- \*LOW POWER STANDBY MODE
- \*LED NIGHT LIGHT
- \*INTEGRATED PATENTED HEATED SOFT CLOSE SEAT
- \*INSTANTANEOUS WATER HEATING
- \*SELF CIRCULATING DESCALING FUNCTION
- \*IPX4 CONNECTION



# SPECIFICATIONS

**Wc:** INFINITY - X INTELLIGENT WALL FACE PAN  
**Code:** IF.200X

**Cistern:** VEROTTI SLIM  
**Code:** VI.200

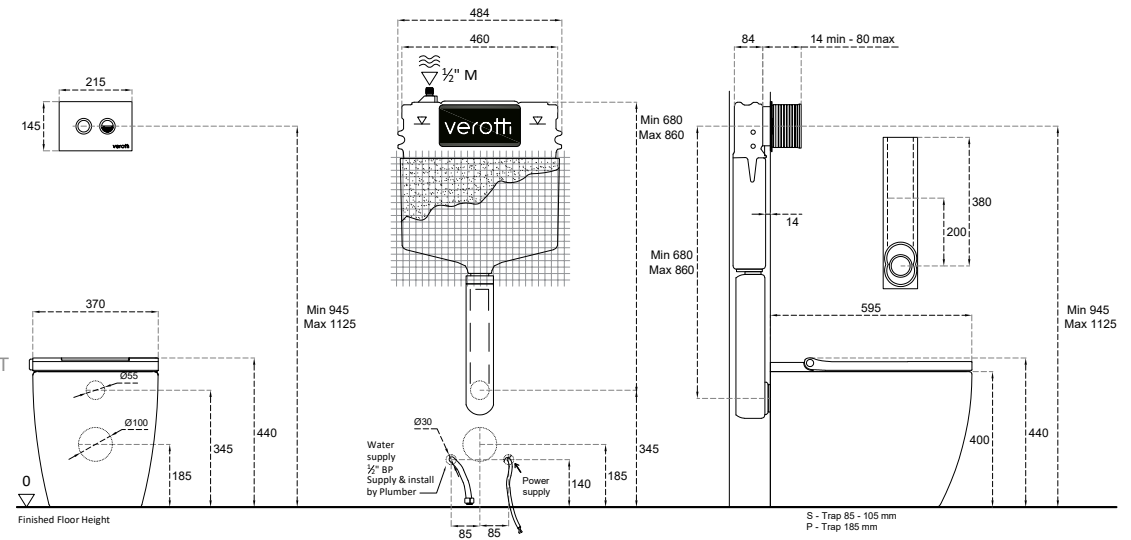
**Flush Plate:** PLEASE VISIT OUR WEBSITE FOR YOUR SELECTION [www.verotti.com](http://www.verotti.com)



**Features:**



- \*PRE WETTING
- \*RIMLESS FLUSH
- \*REMOTE CONTROL/MANUAL CONTROL
- \*GENDER SPECIFIC FUNCTIONS
- \*OSCILLATING FUNCTION
- \*PULSATING FUNCTION
- \*ADJUSTABLE TEMPERATURE
- \*ADJUSTABLE FLOW
- \*DIATOM DEODORISER
- \*ADJUSTABLE SPRAY POSITION
- \* DRYER
- \* ADJUSTABLE DRYER TEMPERATURE
- \*AUTOMATED SELF CLEANING
- \*REMOVABLE WAND CLEANING
- \*LOW POWER STANDBY MODE
- \*LED NIGHT LIGHT
- \*INTEGRATED PATENTED HEATED SOFT CLOSE SEAT
- \*INSTANTANEOUS WATER HEATING
- \*SELF CIRCULATING DESCALING FUNCTION
- \*IPX4 CONNECTION



# SPECIFICATIONS

**Wc:** INFINITY - X INTELLIGENT WALL FACE PAN  
**Code:** IF.200X

**Cistern:** VEROTTI LOW LEVEL / UNDER COUNTER  
**Code:** VI.200LL

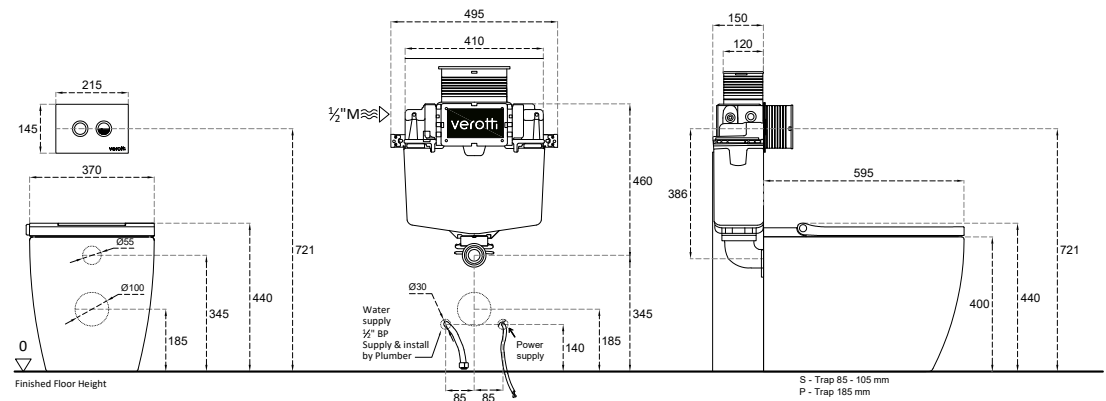
**Flush Plate:** PLEASE VISIT OUR WEBSITE FOR YOUR SELECTION [www.verotti.com](http://www.verotti.com)



**Features:**



- \*PRE WETTING
- \*RIMLESS FLUSH
- \*REMOTE CONTROL/MANUAL CONTROL
- \*GENDER SPECIFIC FUNCTIONS
- \*OSCILLATING FUNCTION
- \*PULSATING FUNCTION
- \*ADJUSTABLE TEMPERATURE
- \*ADJUSTABLE FLOW
- \*DIATOM DEODORISER
- \*ADJUSTABLE SPRAY POSITION
- \* DRYER
- \* ADJUSTABLE DRYER TEMPERATURE
- \*AUTOMATED SELF CLEANING
- \*REMOVABLE WAND CLEANING
- \*LOW POWER STANDBY MODE
- \*LED NIGHT LIGHT
- \*INTEGRATED PATENTED HEATED SOFT CLOSE SEAT
- \*INSTANTANEOUS WATER HEATING
- \*SELF CIRCULATING DESCALING FUNCTION
- \*IPX4 CONNECTION

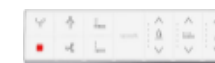


# SPECIFICATIONS

**Wc:** INFINITY - X INTELLIGENT WALL HUNG PAN  
**Code:** IF.300X

**Cistern:** VEROTTI SLIM CISTERN & FRAME  
**Code:** VI.300

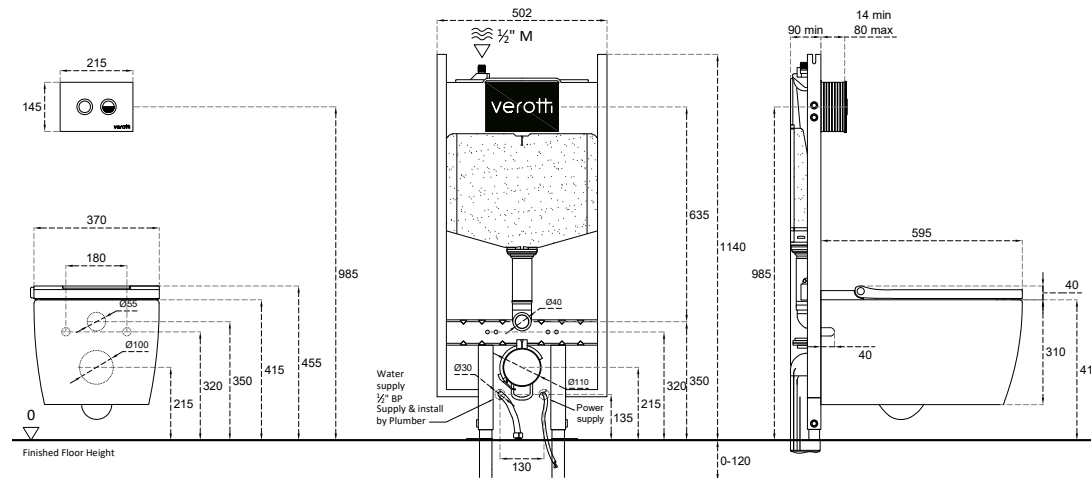
**Flush Plate:** PLEASE VISIT OUR WEBSITE FOR YOUR  
 SELECTION [www.verotti.com](http://www.verotti.com)



**Features:**



- \*PRE WETTING
- \*RIMLESS FLUSH
- \*REMOTE CONTROL/MANUAL CONTROL
- \*GENDER SPECIFIC FUNCTIONS
- \*OSCILLATING FUNCTION
- \*PULSATING FUNCTION
- \*ADJUSTABLE TEMPERATURE
- \*ADJUSTABLE FLOW
- \*DIATOM DEODORISER
- \*ADJUSTABLE SPRAY POSITION
- \* DRYER
- \* ADJUSTABLE DRYER TEMPERATURE
- \*AUTOMATED SELF CLEANING
- \*REMOVABLE WAND CLEANING
- \*LOW POWER STANDBY MODE
- \*LED NIGHT LIGHT
- \*INTEGRATED PATENTED HEATED SOFT CLOSE SEAT
- \*INSTANTANEOUS WATER HEATING
- \*SELF CIRCULATING DESCALING FUNCTION
- \*IPX4 CONNECTION



# SPECIFICATIONS

**Wc:** INFINITY - X INTELLIGENT WALL HUNG PAN  
**Code:** IF.300X

**Cistern:** VEROTTI LOW LEVEL / UNDER COUNTER CISTERN & FRAME  
**Code:** VI.300LL

**Flush Plate:** PLEASE VISIT OUR WEBSITE FOR YOUR SELECTION [www.verotti.com](http://www.verotti.com)



**Features:**



- \*PRE WETTING
- \*RIMLESS FLUSH
- \*REMOTE CONTROL/MANUAL CONTROL
- \*GENDER SPECIFIC FUNCTIONS
- \*OSCILLATING FUNCTION
- \*PULSATING FUNCTION
- \*ADJUSTABLE TEMPERATURE
- \*ADJUSTABLE FLOW
- \*DIATOM DEODORISER
- \*ADJUSTABLE SPRAY POSITION
- \* DRYER
- \* ADJUSTABLE DRYER TEMPERATURE
- \*AUTOMATED SELF CLEANING
- \*REMOVABLE WAND CLEANING
- \*LOW POWER STANDBY MODE
- \*LED NIGHT LIGHT
- \*INTEGRATED PATENTED HEATED SOFT CLOSE SEAT
- \*INSTANTANEOUS WATER HEATING
- \*SELF CIRCULATING DESCALING FUNCTION
- \*IPX4 CONNECTION

