

# SPECIFICATION

## IN-WALL CISTERN



Model: **Low Level In-Wall Concealed Cistern + Frame**

Code: VI.300LLCC

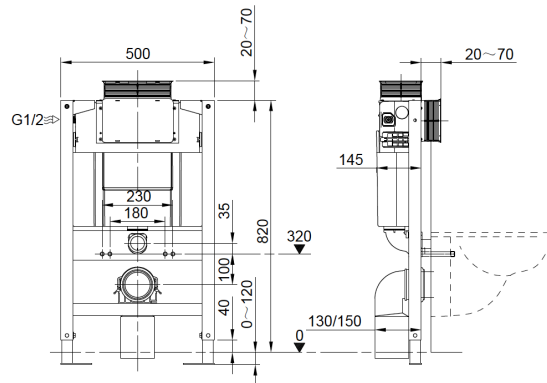
Wels: 4 star (4.5/3L)

Features: Suitable for wall Hung pans only  
Suits 150mm cavities  
Mechanical actuation  
Front Press or Top Press

Flush Plate: Suitable with VI.003CC & VI.007CC Push Plate

CONCEALED CISTERN CONCEALED CISTERN CONCEALED CISTERN CONCEALED CISTERN  
 CONCEALED CISTERN CONCEALED CISTERN CONCEALED CISTERN CONCEALED CISTERN  
 CONCEALED CISTERN CONCEALED CISTERN CONCEALED CISTERN CONCEALED CISTERN  
 CONCEALED CISTERN CONCEALED CISTERN CONCEALED CISTERN CONCEALED CISTERN  
 CONCEALED CISTERN CONCEALED CISTERN CONCEALED CISTERN CONCEALED CISTERN  
 CONCEALED CISTERN CONCEALED CISTERN CONCEALED CISTERN CONCEALED CISTERN  
 CONCEALED CISTERN CONCEALED CISTERN CONCEALED CISTERN CONCEALED CISTERN

ENDURANCE + QUALITY + RELIABILITY



Compatible Mechanical Flush Plate



Information provided represents the actual product available at the time 01/01/2021.  
The design and specification are subject to change without notice.  
Dimensions are approximate.