

# SPECIFICATION

## IN-WALL CISTERN



CONCEALED CISTERN CONCEALED CISTERN CONCEALED CISTERN CONCEALED CISTERN  
CONCEALED CISTERN CONCEALED CISTERN CONCEALED CISTERN CONCEALED CISTERN  
CONCEALED CISTERN CONCEALED CISTERN CONCEALED CISTERN CONCEALED CISTERN  
CONCEALED CISTERN CONCEALED CISTERN CONCEALED CISTERN CONCEALED CISTERN  
CONCEALED CISTERN CONCEALED CISTERN CONCEALED CISTERN CONCEALED CISTERN  
CONCEALED CISTERN CONCEALED CISTERN CONCEALED CISTERN CONCEALED CISTERN  
CONCEALED CISTERN CONCEALED CISTERN CONCEALED CISTERN CONCEALED CISTERN  
CONCEALED CISTERN CONCEALED CISTERN CONCEALED CISTERN CONCEALED CISTERN

ENDURANCE + QUALITY + RELIABILITY

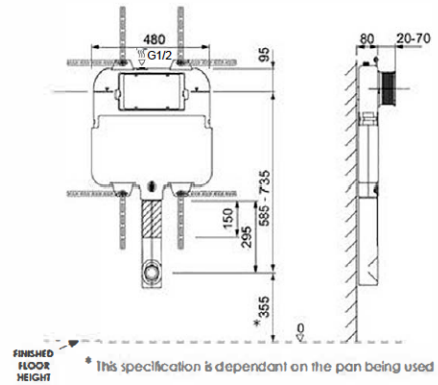
Model: **Slim In-Wall Concealed Cistern**

Code: VI.200CC

Wels: 4 star (4.5/3L)

Features: Suitable for wall faced pans only ( to the floor )  
Suits 90mm cavities  
Mechanical actuation  
Front Press

Flush Plate: Suitable with VI.003CC & VI.007CC Push Plate



Compatible Mechanical Flush Plate

