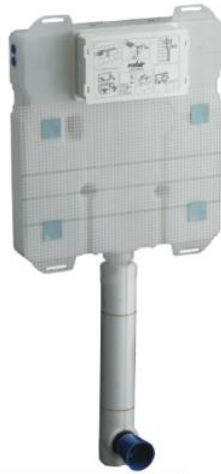


Tropea 2 - Inwall Cistern

Spare Parts Listing



TROPEA 2 - Cistern only Suits floor mounted pans

Models:

4.5/3L - 866922 (Pneu.)

6.0/3L - 866912 (Pneu.)

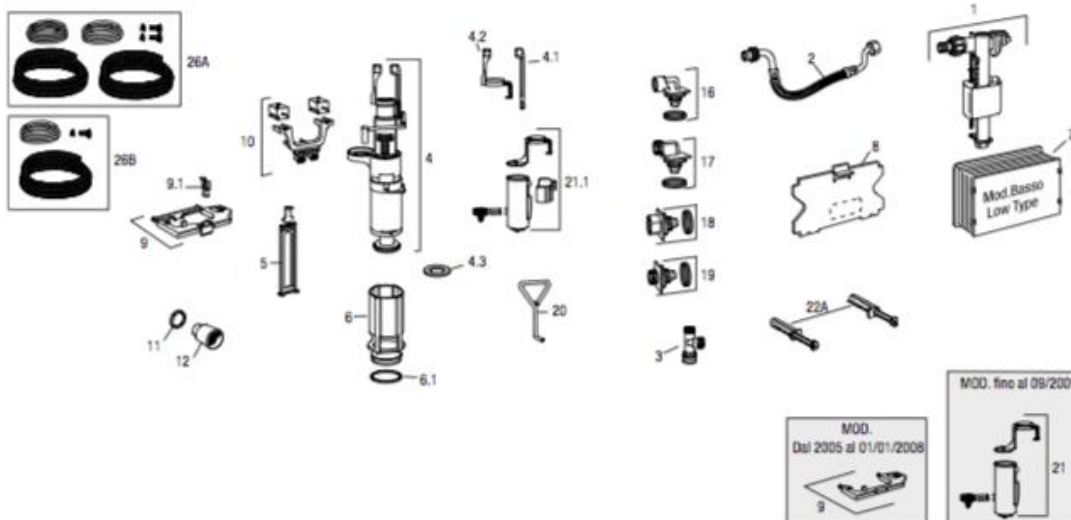
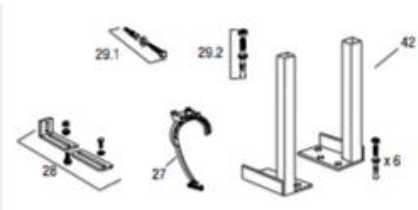


TROPEA 2 - Cistern & Frame Suits wall hung pans

Models:

4.5/3L - 866930 (Pneu.)

6.0/3L - 866326 (Pneu.)



www.verotti.com

info@verotti.com

T 1300 837 688

F 1300 837 888

Prices and specifications are subject to change without notice

Tropea 2 - Inwall Cistern

Spare Parts Listing



No.	Code	Description	Status	RRP Inc GST	No.	Code	Description	Status	RRP Inc GST
1	868001	Compact float valve	L	97	18	868305	Square flanged straight fitting F G1/2	L	49
2	866118	Flexible hose 3/8 x 3/8 Tropea	L	54	19	868307	Square flanged straight fitting M G1/2	L	49
3	868310	Stop valve M38 x M38	L	46	20	805153	Hook for guide removal	L	50
4	866801	Tropea 2 Outlet Valve Kit (2004-2012) - includes item nos. 5 & 6	L	134.5	21	866163	Pneumatic mechanism for Tropea Mod.2009	L	109
4.1	863127	Tropea 2 anchor for 1/2 flush	L	23	22A	864166	Spacers for attaching plate	L	17
4.2	866121	Tropea 2 anchor for total flush	L	23	26A	872206	Connection hoses for pneumatic mechanism dual flush 2.5m	L	68
4.3	801017	Seal for outlet valve	L	9	26B	872204	Connection hoses for pneumatic mechanism single flush 2.5m	L	42
5	866113	Level rod for Tropea 2 outlet valve	L	18	27	826065	Bend support for block frame	L	27
6	866157	Tropea 2 guide with o'ring	L	27	27.1	826066	Bend support for fixsystem	L	27
6.1	820439	O'ring for guide	L	9	27.2	826072	Bend support for fixsystem	L	27
7	863167	Protective case	L	76	28	868613	Squares with extension & fixing material	L	27
8	863125	Anti-condensation plate	L	23	29	805116	Screws & anchors for attaching frame (6 pcs)	L	38
9	866116	Central block for Tropea 2	L	23	29.1	805128	Screws & anchors for attaching frame (4 pcs)	L	27
9.1	820111	Hook for securing float valve	L	9	29.2	826456	Screws & anchors for attaching free standing frame (6 pcs)	L	90
10	820376	Bracket for lever	L	23	30B	364052	WC bend for wall-hung pan with seal D 90 x 110 x L 230	L	103
11	820119	2-Lip seal for pipe	L	9	30C	364059	WC bend for wall-hung pan with seal D 90 x 110 x L 230	L	140
12	802011	Protective plug D44	L	9	31	820224	Threaded rod, PVC pipe, nuts & washers, for wall-hung pan with protective caps	L	87
13	800184	Pipe with seal & polystyrene protective covering H380	L	60	32	366002	Sleeve for wall-hung pan seal D125	L	108
14	866166	Attachment kit for block Frame	L	15	32.4	803202	PP connection pipe for WC D 45 x L 195 with 44 grommet	L	33
15	820221	Attachment plates with screws	L	17	40	868210	WC reinforcement kit	L	92
16	868301	Square flanged elbow fittings F G1/2	L	49	42	868625	Block free-standing leg kit complete with special fixing dowels	L	275
17	868303	Square flanged elbow fittings M G1/2	L	49					

Status

S = Stock

L = Limited Stock

A = Air Order 3-6 Wk

I = Indent Special Order 6-12 Wk

NOTE: A minimum order fee of \$25 applies to orders less than \$300 (inc. GST)



www.verotti.com

T 1300 837 688

info@verotti.com

F 1300 837 888

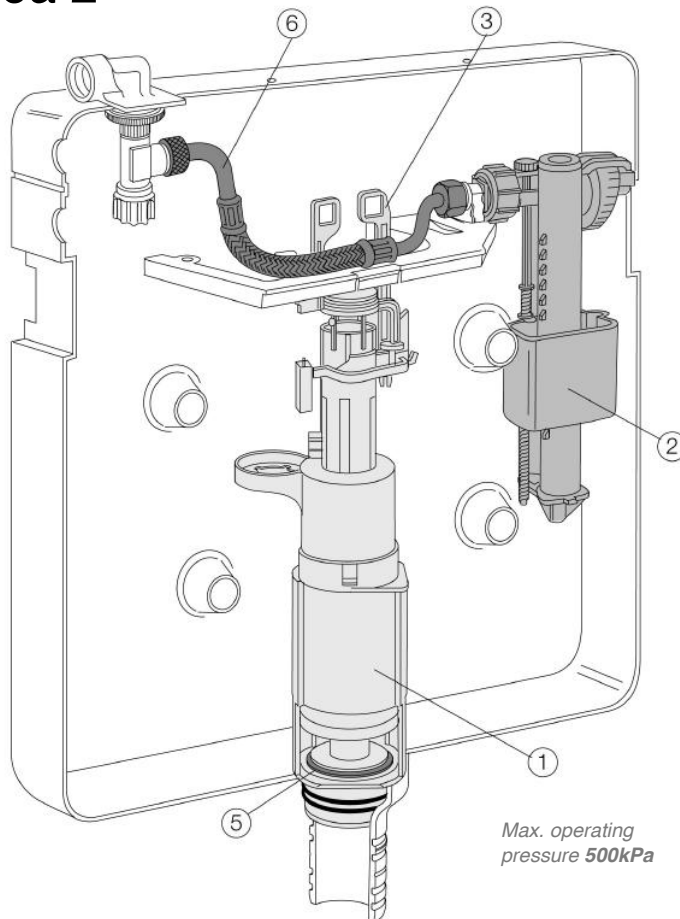
Prices and specifications are subject to change without notice

Tropea 2

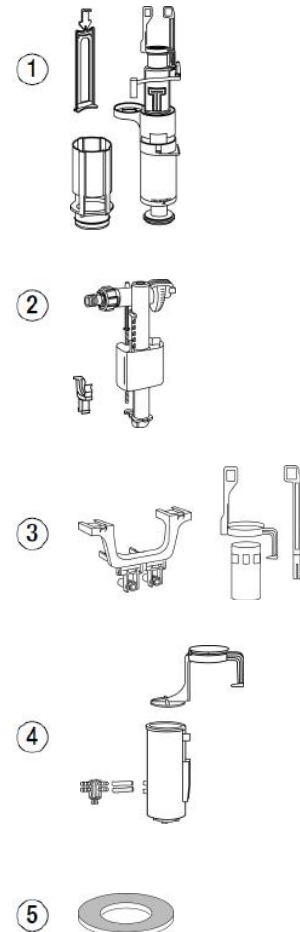
Spare Parts



Tropea 2



Tropea 2 Spare Parts



Tropea 2 Spare Parts

No.	Code	Description	Status	RRP Inc GST	No.	Code	Description	Status	RRP Inc GST
1	866801	T2 outlet valve kit (2004-2012)	S	134.50	4	866163	T2/Ev. pneumatic mechanism	S	109.00
2	868011	T2/Ev. float valve kit (2004-2012)	S	106.00	5	801017	Seal for outlet valve	S	9.00
3	866803	T2 mechanical conversion kit	L	39.00					

Status **S** = Stock **L** = Limited Stock **A** = Air Order 3-6 Wk **I** = Indent Special Order 6-12 Wk

NOTE: A minimum order fee of \$25 applies to orders less than \$300 (inc. GST)



www.verotti.com
info@verotti.com

T 1300 837 688
F 1300 837 888

Prices and specifications are subject to change without notice