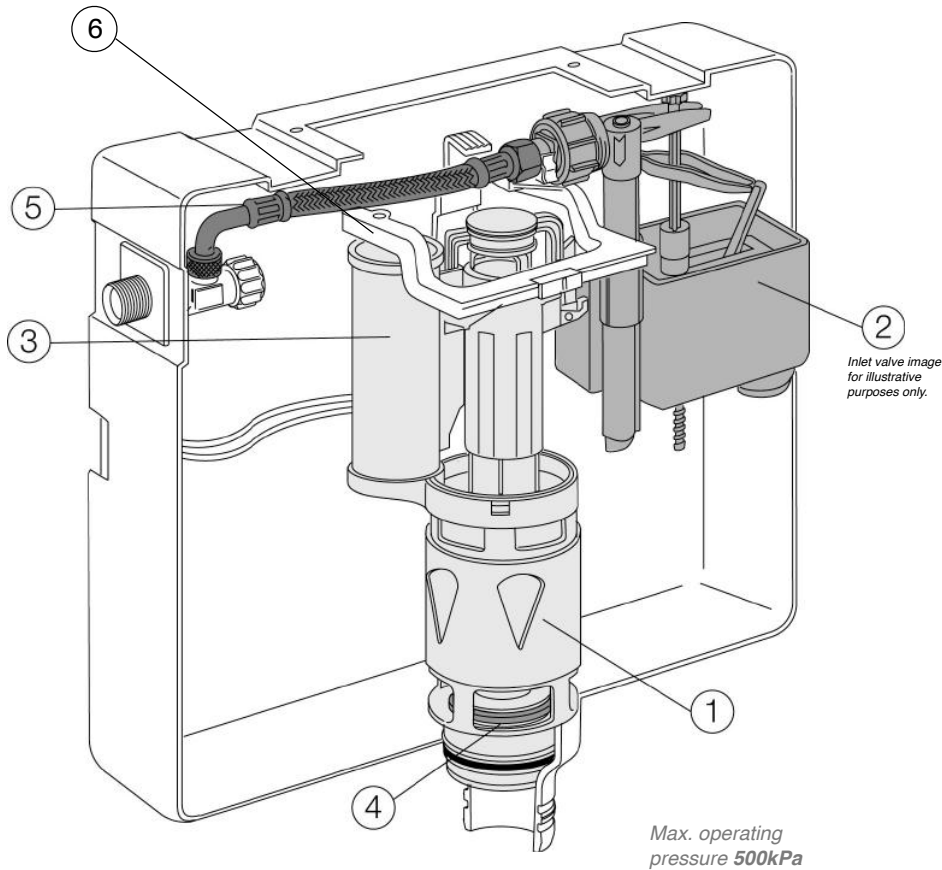


Evolut Low-Level

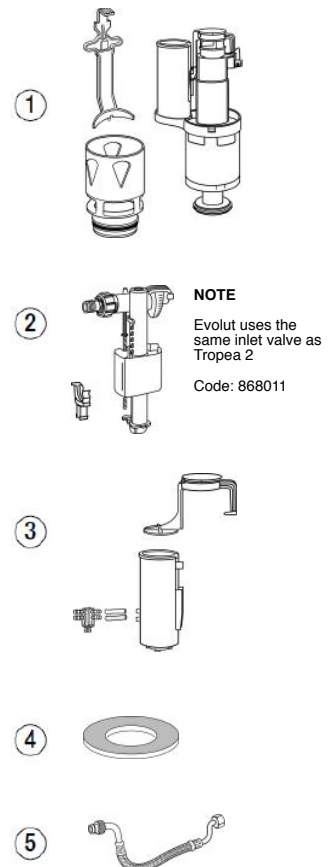
Spare Parts



Evolut

Evolut Low-Level

Spare Parts



Evolut Low-Level Spare Parts

No.	Code	Description	Status	RRP Inc GST	No.	Code	Description	Status	RRP Inc GST
1	864801	Evolut outlet valve kit	S	182.00	4	801017	Seal for outlet valve (outlet washer)	S	9.00
2	868011	T2/Ev. float valve kit (2004-2012)	S	106.00	5	864118	3/8 x 3/8 Ev. flexible pipe	L	54.00
3	866163	T2/Ev. pneumatic mechanism	S	109.00	6	864117	Central block kit	L	36.00

Status **S** = Stock **L** = Limited Stock **A** = Air Order 3-6 Wk **I** = Indent Special Order 6-12 Wk

NOTE: A minimum order fee of \$25 applies to orders less than \$300 (inc. GST)



www.verotti.com
info@verotti.com

T 1300 837 688
F 1300 837 888

Prices and specifications are subject to change without notice

Evolut - Undercounter Cistern

Spare Parts Listing



EVOLUT - Cistern only
Suits floor mounted pans

Models:

4.5/3L - 864022 (Pneu.)

6.0/3L - 864013 (Pneu.)

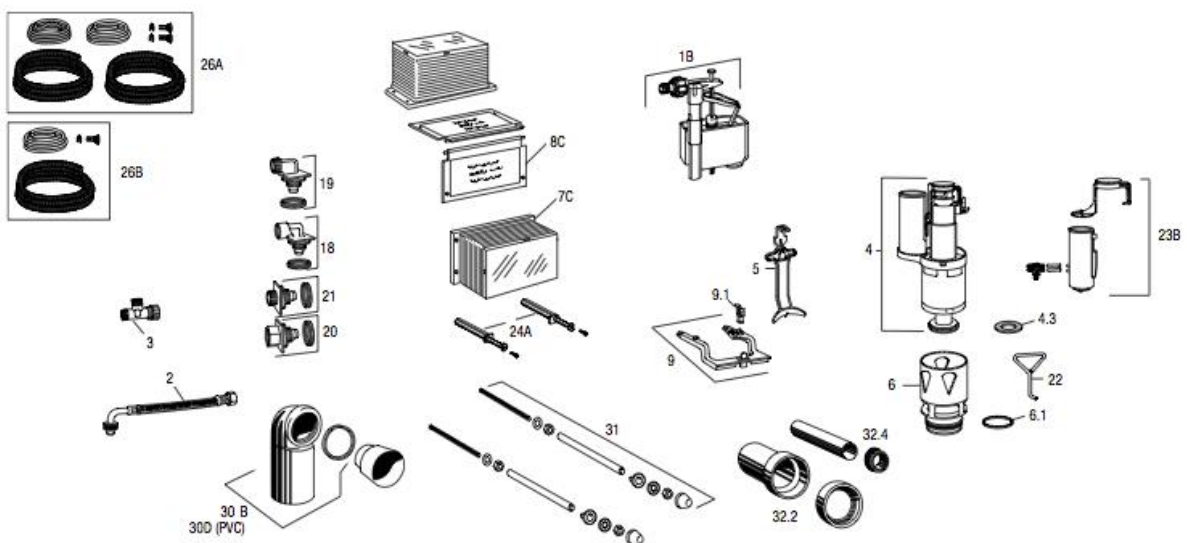
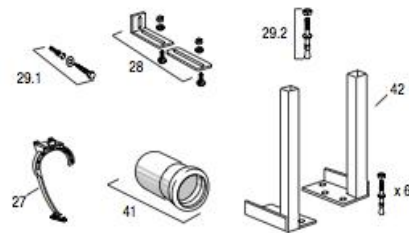
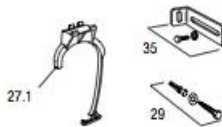


EVOLUT - Cistern & Frame
Suits wall hung pans

Models:

4.5/3L - 864522 (Pneu.)

6.0/3L - 864312 (Pneu.)



www.verotti.com

info@verotti.com

T 1300 837 688

F 1300 837 888

Prices and specifications are subject to change without notice

Evolut - Undercounter Cistern

Spare Parts Listing



No.	Code	Description	Status	RRP Inc GST	No.	Code	Description	Status	RRP Inc GST
1B	868001	Compact float valve	L	97	29	805116	Screws & anchors for attaching frame (6 pcs)	L	38
2	864118	3/8 x 3/8 Evolut flexible pipe	L	54	29.1	805128	Screws & anchors for attaching frame (4 pcs)	L	27
3	868310	Stop valve M3/8 x M3/8	L	46	29.2	826456	Screws & anchors for attaching free-standing frame (6 pcs)	L	92
4	864801	Evolut Outlet Valve Kit - includes item nos. 5 & 6	L	182	30B	364052	Bend for wall-hung pan with seal D 90 x 110 x L 230	L	103
4.3	801017	Seal for outlet valve	L	9	30D	364015	Bend for wall-hung pan with seal D 90 x 100 x L 300	L	98
5	864119	Attachment rod for Evolut outlet valve	L	12	31	820224	Threaded rod, PVC pipe, nuts & washers for wall-hung pan attachment with protective caps	L	87
6	863157	Evolut guide with seal	L	27	32	366002	Sleeve for wall-hung pan with seal D 125	L	108
6.1	820439	O-ring for guide	L	12	32.4	803202	PP connection pipe for WC D 45 x L 195 with D 44 grommet	L	33
7C	864167	Evolut protective body	L	76	35	868778	Lateral bracket for Evolut fixsystem mounting frame	L	17
8C	864141	Evolut flap plate	L	27	41	564190	90/100 PVC adaptor	L	44
9	864117	Central block for Evolut cistern	L	27	42	868625	Block free-standing legs kit complete with special fixing dowels	L	275
9.1	820111	Hook for securing float valve	L	9					
18	868301	Square flanged elbow fitting F G1/2	L	49					
19	868303	Square flanged elbow fitting M G1/2	L	49					
20	868305	Square flanged straight fitting F G1/2	L	49					
21	868307	Square flanged straight fitting M G1/2	L	50					
22	805153	Hook for guide removal	L	50					
23B	866163	Pneumatic mechanism	L	109					
24A	864166	Spacers for attaching Evolut plate	L	17					
26A	872206	Connection pipes for pneumatic mechanism single flush, 2.5m	L	69					
26B	872204	onnection pipes for pneumatic mechanism, single flush, 2.5 m	L	42					
27	826065	Bend support for Block mounting frame	L	27					
27.1	826066	Bend support for Fixsystem mounting frame		27					

Status

S = Stock

L = Limited Stock

A = Air Order 3-6 Wk

I = Indent Special Order 6-12 Wk

NOTE: A minimum order fee of \$25 applies to orders less than \$300 (inc. GST)



www.verotti.com

T 1300 837 688

info@verotti.com

F 1300 837 888

Prices and specifications are subject to change without notice