

SPECIFICATION

SALO



SOLIDSURFACE SOLIDSURFACE SOLI
FACE SOLIDSURFACE SOLIDSURFACE:
SURFACE SOLIDSURFACE SOLIDSURFAC

ENDURANCE + QUALITY + RELIABILITY

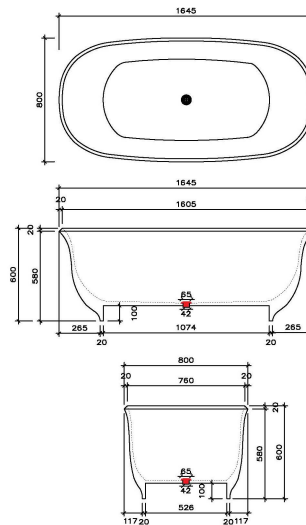
Solid surface baths offer a stylish and durable option for those looking to upgrade their bathroom design. With their versatility, resistance to stains and scratches, excellent heat retention, customization options, and durability, solid surface baths are a popular choice for homeowners and interior designers alike.

Model: **SALO SOLID SURFACE**

Code: SL.1645MW Matte White

Features: Matte White
1645 x 800 x 610

Stain and scratch resistance: The non-porous surface of solid surface baths makes them resistant to stains and scratches. They are also easy to maintain, and any scratches or marks can be buffed out. Known for their durability and longevity, they are a worthwhile investment in the long run.



verotti
Bathroom Culture



Information provided represents the actual product available at the time 01/01/2021.
The design and specification are subject to change without notice.
Dimensions are approximate.