

riba  
product  
selector

TESTED  
according to  
BS6180

Model 6020 | 6021

## 1.5KN TOP AND SIDE MOUNT

- | Quick and simple mounting
- | Different finishes
- | For glass thicknesses between 12 - 21,52 mm
- | Drainage holes
- | Increased stability with the same looks
- | For applications requiring 0.74Kn the mounting distance can be 600mm
- | Private, commercial and public areas

[WWW.VEROTTI.COM](http://WWW.VEROTTI.COM)

  
**verotti**  
— Bathroom Culture —

# TL-6020

1.5 kN Top Mount

## Level Up.

The Profile TL-6020 is the intelligent onward development of the TL-6010 Profile. Here the outstanding feature consists in the increase of mounting distances, which now enables the use of the profile also on an anchor bolt without countersunk head. Therefore, mounting the product is not only faster and more cost efficient, but also statics have improved considerably.

It can be used in exterior applications, withstands a linear load of 1.5 kN and is appropriate for glass thicknesses between 12 mm and 21.52 mm.

## Essential Features

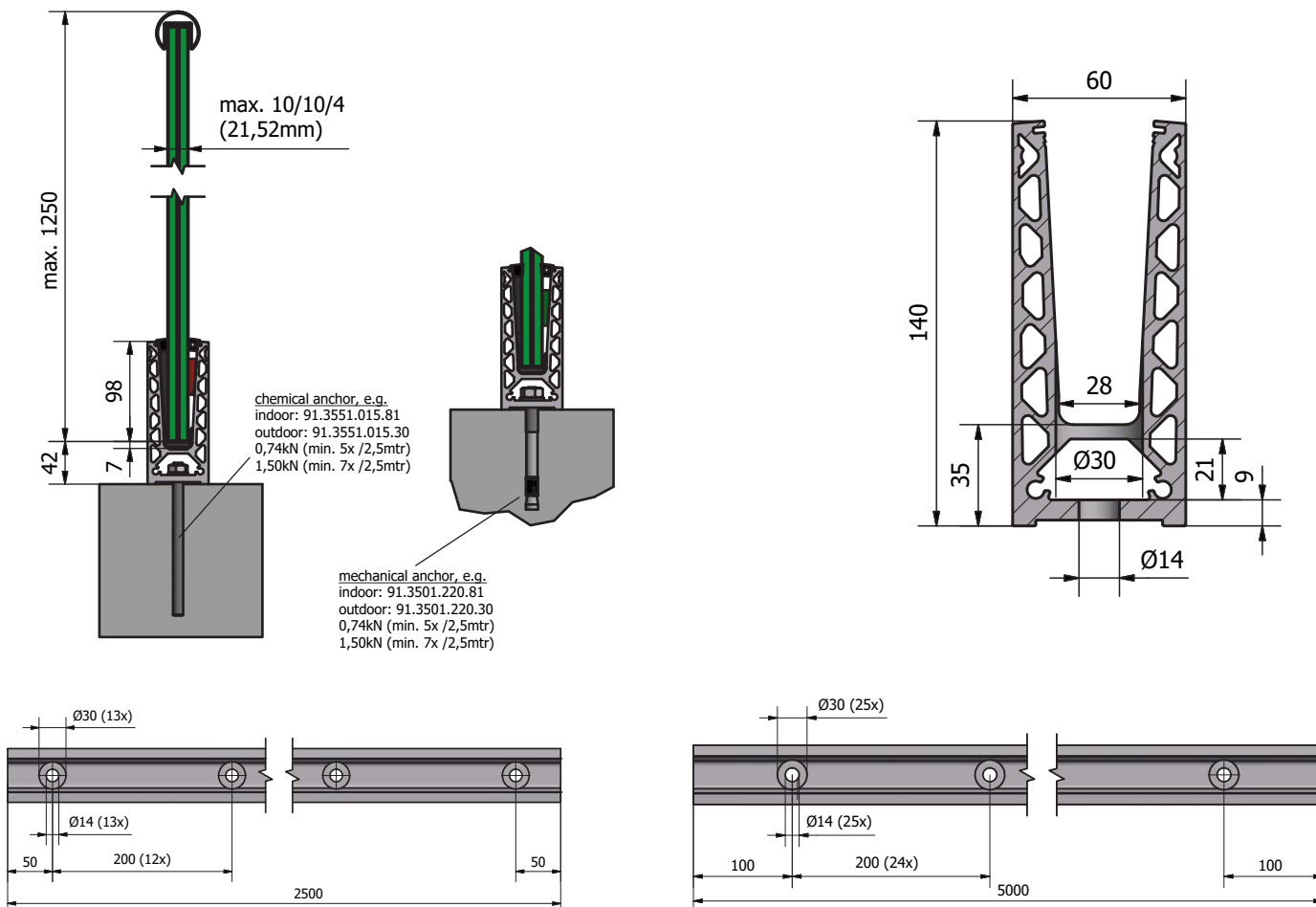
- | Slimline, elegant design and low-maintenance
- | **ONLEVEL** Flex-Fit Glass Adjustment Tool
- | Extension pin holes
- | Drainage holes
- | For use with Top Cover 3.0 kN
- | For glass thicknesses between 12 - 21.52 mm
- | For applications of 0.74kN in private areas, the mounting distance amounts to 60 cm



**CAD** IN EVERY FORMAT



**TESTED**  
according to  
**BS6180**





Increased stability with the same looks

Integrated multifunctional sophisticated chamber for enabling larger drilling distances



Top mount

# TL-6020 | 1.5 KN TOP MOUNT

## Glass profile



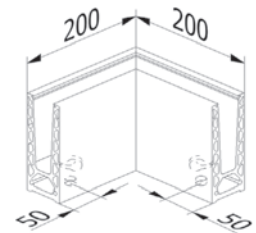
| Height: 140 mm  
| Width: 60 mm  
| Sales unit: 1 piece

Model 6020	Mill finish	Plain aluminium	Stainless steel look	Coloured
Length	Art. no.	Art. no.	Art. no.	Art. no.
2500	-	10.6020.002.11	10.6020.002.12	-
5000	10.6020.005.10	10.6020.005.11	10.6020.005.12	10.6020.005.13/16

## Inside corner / outside corner 90°



| Side length inside 140 mm  
| Side length outside 200 mm  
| Sales unit: 1 piece



Model 6020	Mill finish	Plain aluminium	Stainless steel look	Coloured
	Art. no.	Art. no.	Art. no.	Art. no.
	10.6020.390.10	10.6020.390.11	10.6020.390.12	10.6020.390.13/16

## End cap, left/right



| For use on the left and right  
| Sales unit: 1 piece

Model 6020	Mill finish	Plain aluminium	Stainless steel look	Coloured
Application	Art. no.	Art. no.	Art. no.	Art. no.
left/right	10.6020.490.10	10.6020.490.11	10.6020.490.12	10.6020.490.13/16

## Spacer

You do not have any drainage options on your balcony?!  
So that you do not need to install a dam on your balcony, you can simply mount the spacers beneath your profile.



| Inner drill hole Ø 14 mm  
| Sales unit: 13 pieces

Model 6020	Mill finish	Plain aluminium	Stainless steel look	Coloured
	Art. no.	Art. no.	Art. no.	Art. no.
	10.6020.500.10	10.6020.500.11	10.6020.500.12	10.6020.500.13/16

# TL-6020 | 1.5 KN TOP MOUNT

## Extension pin



- | Length 40 mm
- | Diameter Ø 6 mm
- | Sales unit: 8 piece

Model 7001	V4A (interior & exterior)
Art. no.	
	90.7001.640.31

## Fischer fixing anchor FIS AM M10x150



- | Finish interior application: zinc-plated steel (interior)
- | Finish exterior application: V4A (exterior)
- | Required number per 2500 mm: 13 pieces
- | Sales unit: 25 pieces

Model 3511	Zinc-plated steel (interior)	V4A (exterior)
Art. no.		Art. no.
	91.3551.015.81	91.3551.015.30

## Fixing anchor steel



- | Finish interior application: zinc-plated steel (interior)
- | Finish exterior application: V4A (exterior)
- | Required number per 2500 mm: 13 pieces
- | Sales unit: 13 pieces

Model 6020	Zinc-plated steel (interior)	V4A (exterior)
Art. no.		Art. no.
	91.6020.060.81	91.6020.060.30



# TL-6020 | 1.5 KN TOP MOUNT

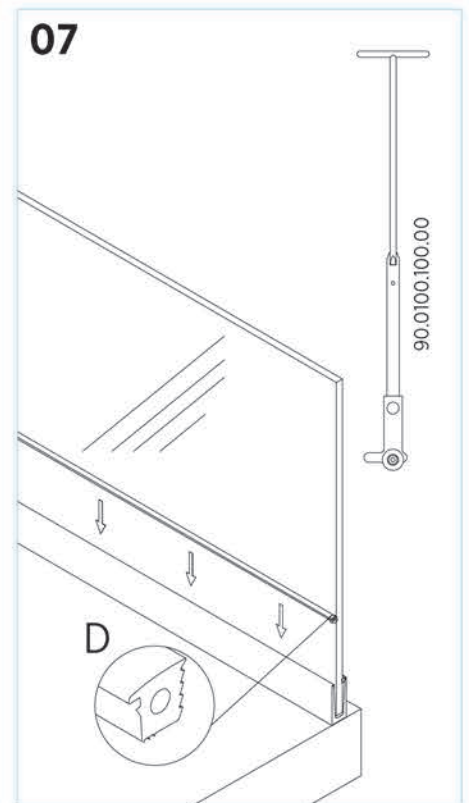
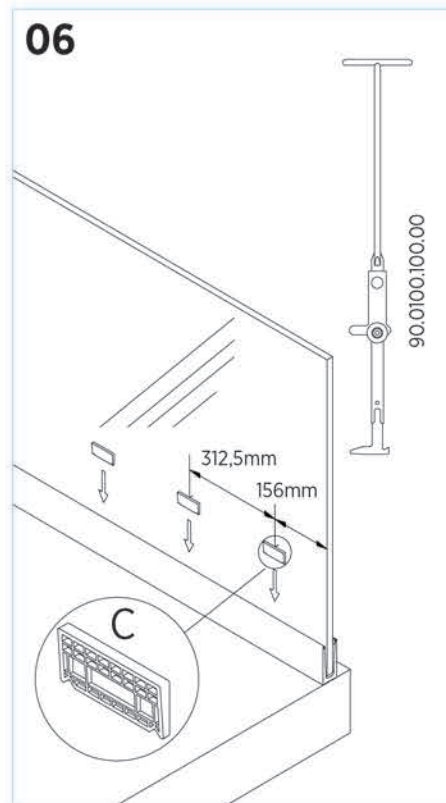
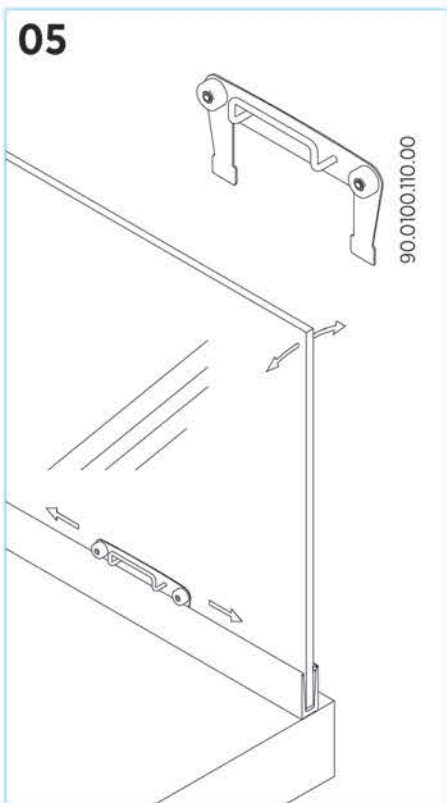
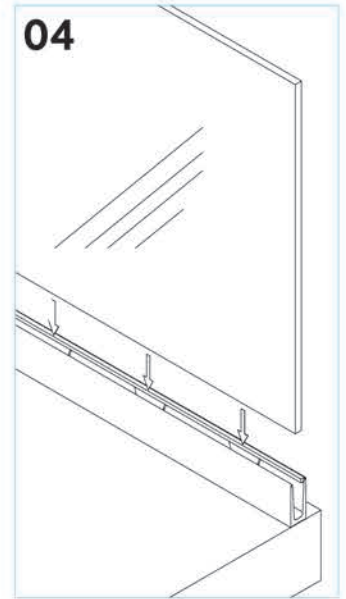
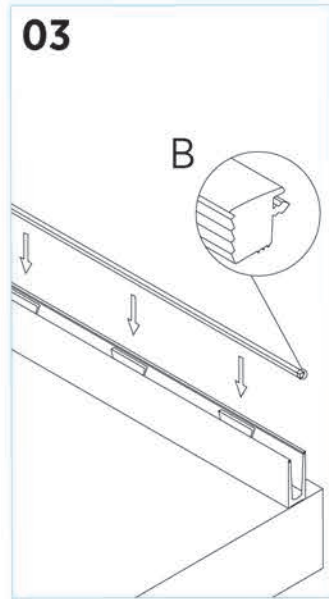
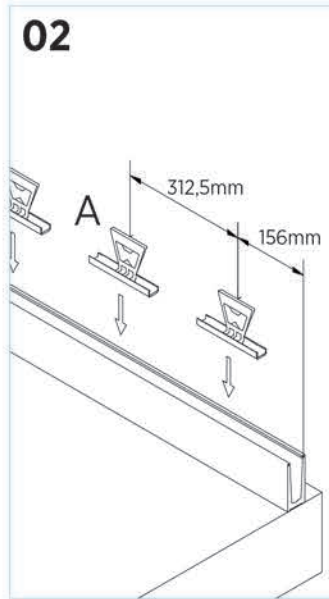
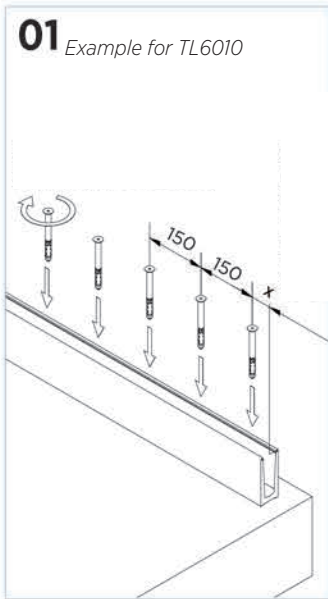
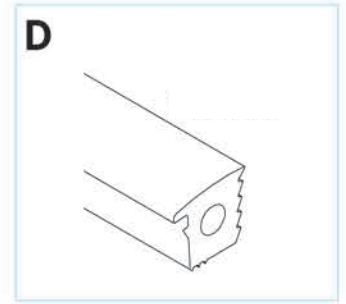
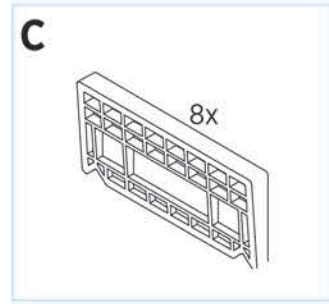
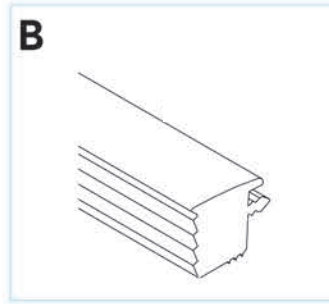
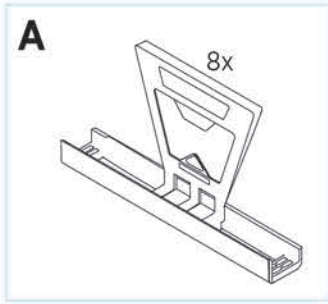
## Flex-Fit 1.0 kN



- | Fine adjustment of glass panes
- | For glass thicknesses between 12 - 21.52 mm
- | Adjustment of up to 34 mm in relation to the vertical axis
- | Pay attention to the right glass thickness!

Length		2500 mm	5000 mm	25 mtr
Glass thickness	Wedge colour	Art. no.	Art. no.	Art. no.
12 mm	black	90.0502.112.00	90.0505.112.00	90.0525.112.00
6/6/2 (12.76 mm)	red	90.0502.113.00	90.0505.113.00	90.0525.113.00
6/6/4 (13.52 mm)	grey	90.0502.114.00	90.0505.114.00	90.0525.114.00
15 mm	yellow	90.0502.115.00	90.0505.115.00	90.0525.115.00
<b>8/8/2 (16,76 mm)</b>	brown	90.0502.117.00	90.0505.117.00	90.0525.117.00
<b>8/8/4 (17,52 mm)</b>	green	90.0502.118.00	90.0505.118.00	90.0525.118.00
19 mm	blue	90.0502.119.00	90.0505.119.00	90.0525.119.00
<b>10/10/2 (20,76 mm)</b>	red	90.0502.121.00	90.0505.121.00	90.0525.121.00
<b>10/10/4 (21,52 mm)</b>	green	90.0502.122.00	90.0505.122.00	90.0525.122.00

# MOUNTING INSTRUCTION FLEXFIT



# TL-6021

1.5 kN Side Mount

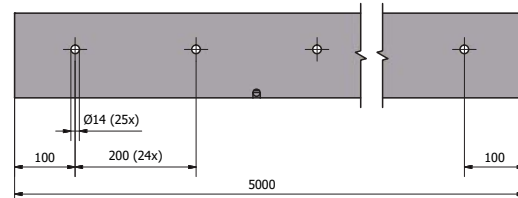
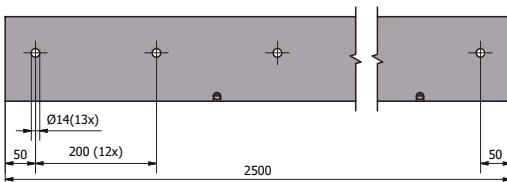
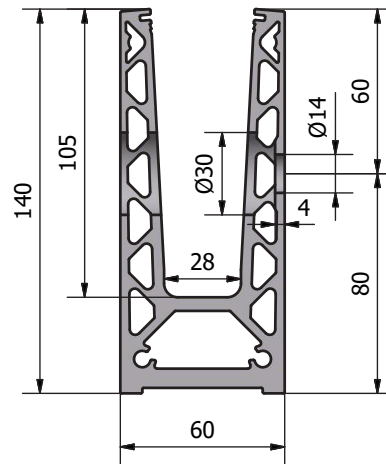
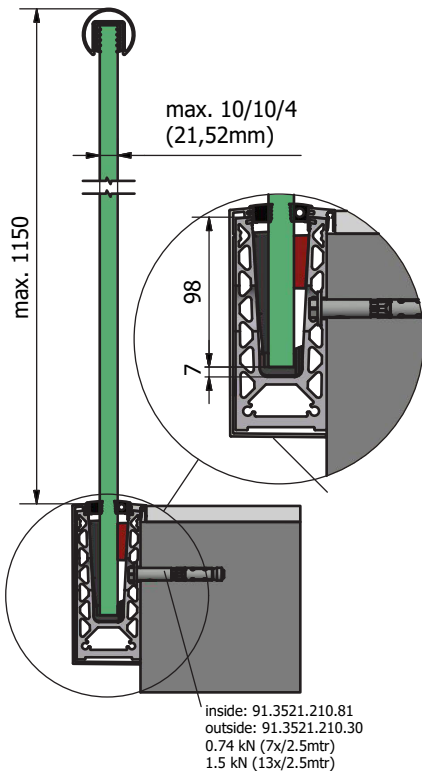
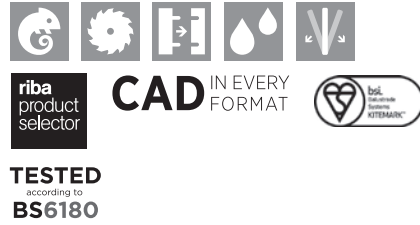
## The Evolution Goes On.

The Profile TL-6021 is the intelligent onward development of the TL-6011 Profile. Here the outstanding feature consists in the increase of mounting distances, which now enables the use of the profile also on an anchor bolt without countersunk head. This makes mounting the product not only much quicker and more cost efficient, also statics have improved significantly.

The Profile TL-6021 can be used for exterior applications. It can withstand a linear load of 1.5 kN and is appropriate for glass thicknesses between 12 mm and 21.52 mm.

## Essential Features

- | Slimline, elegant design and low-maintenance
- | **ONLEVEL** Flex-Fit Glass Adjustment Tool
- | Drainage holes
- | Cover (optional)
- | For use with Top Cover 3.0 kN
- | For glass thicknesses between 12 mm and 21.52 mm
- | For applications of 0.74kN in private areas, the mounting distance amounts to 40 cm







Improved statics

Can be anchored universally depending on the application



Side mount

Integrated multifunctional sophisticated chamber for enabling larger drilling distances

# TL-6021 | 1.5 KN SIDE MOUNT

## Glass profile



| Height: 140 mm  
| Width: 60 mm  
| Sales unit: 1 piece

Model 6021	Mill finish	Plain aluminium	Stainless steel look	Coloured
Length	Art. no.	Art. no.	Art. no.	Art. no.
2500	-	10.6021.002.11	10.6021.002.12	-
5000	10.6021.005.10	10.6021.005.11	10.6021.005.12	10.6021.005.13/16

## Inside corner 90°



| Side length inside 140 mm  
| Side length outside 200 mm  
| Sales unit: 1 piece

Model 6021	Mill finish	Plain aluminium	Stainless steel look	Coloured
	Art. no.	Art. no.	Art. no.	Art. no.
	10.6021.300.10	10.6021.300.11	10.6021.300.12	10.6021.300.13/16

## Outside corner 90°



| Side length inside 140 mm  
| Side length outside 200 mm  
| Sales unit: 1 piece

Model 6021	Mill finish	Plain aluminium	Stainless steel look	Coloured
	Art. no.	Art. no.	Art. no.	Art. no.
	10.6021.350.10	10.6021.350.11	10.6021.350.12	10.6021.350.13/16

## End cap, left



| For use on the left  
| Sales unit: 1 piece

Model 6021	Mill finish	Plain aluminium	Stainless steel look	Coloured
Application	Art. no.	Art. no.	Art. no.	Art. no.
left	10.6021.400.10	10.6021.400.11	10.6021.400.12	10.6021.400.13/16

# TL-6021 | 1.5 KN SIDE MOUNT

## End cap, left, with cover cap



| For use on the left  
| Sales unit: 1 piece

Model 6021	Mill finish	Plain aluminium	Stainless steel look	Coloured
Application	Art. no.	Art. no.	Art. no.	Art. no.
left	10.6021.410.10	10.6021.410.11	10.6021.410.12	10.6021.410.13/16

## End cap, right



| For use on the right  
| Sales unit: 1 piece

Model 6021	Mill finish	Plain aluminium	Stainless steel look	Coloured
Application	Art. no.	Art. no.	Art. no.	Art. no.
right	10.6021.450.10	10.6021.450.11	10.6021.450.12	10.6021.450.13/16

## End cap, right, with cover cap



| For use on the right  
| Sales unit: 1 piece

Model 6021	Mill finish	Plain aluminium	Stainless steel look	Coloured
Application	Art. no.	Art. no.	Art. no.	Art. no.
right	10.6021.460.10	10.6021.460.11	10.6021.460.12	10.6021.460.13/16

## End cap for staircase with cover strip, left



| For use on the left  
| can be cut to size  
| Sales unit: 1 piece

Model 6021	Mill finish	Plain aluminium	Stainless steel look	Coloured
Application	Art. no.	Art. no.	Art. no.	Art. no.
left	10.6021.411.10	10.6021.411.11	10.6021.411.12	10.6021.411.13/16

# TL-6021 | 1.5 KN SIDE MOUNT

## End cap for staircase with cover strip, right



- | For use on the right
- | can be cut to size
- | Sales unit: 1 piece

Model 6021	Mill finish	Plain aluminium	Stainless steel look	Coloured
Application	Art. no.	Art. no.	Art. no.	Art. no.
right	10.6021.461.10	10.6021.461.11	10.6021.461.12	10.6021.461.13/16

## Cover strip



- | With mounting strips
- | For use with a cover cap, end caps must be ordered separately.
- | Sales unit: 1 piece

Model 6021	Mill finish	Plain aluminium	Stainless steel look	Coloured
Length	Art. no.	Art. no.	Art. no.	Art. no.
2500	-	10.6021.202.11	-	-
5000	10.6021.205.10	10.6021.205.11	10.6021.205.12	10.6021.205.13/16

## Blanking plug



- | Required number per 2500 mm: 17 pieces
- | Sales unit: 10 pieces

Model 7000		Plastic
Colour	Diameter	Art. no.
white	30 mm	90.7000.030.40
black	30 mm	90.7000.030.41
grey	30 mm	90.7000.030.45

## Extension pin



- | Length 40 mm
- | Diameter Ø 6 mm
- | Sales unit: 8 piece

Model 7001	V4A (interior & exterior)
	Art. no.
	90.7001.640.31

# TL-6021 | 1.5 KN SIDE MOUNT

## Fischer fixing anchor FH II 12/10



- | Finish interior application: zinc-plated steel (interior)
- | Finish exterior application: V4A (exterior)
- | Required number per 2500 mm: 13 pieces
- | Sales unit: 50 pieces

Model 3521	Zinc-plated steel (interior)	V4A (exterior)
	Art. no.	Art. no.
	91.3521.210.81	91.3521.210.30

## Fixing anchor steel



- | Finish interior application: zinc-plated steel (interior)
- | Finish exterior application: V4A (exterior)
- | Required number per 2500 mm: 13 pieces
- | Sales unit: 13 pieces

Model 6021	Zinc-plated steel (interior)	V4A (exterior)
	Art. no.	Art. no.
	91.6021.060.81	91.6021.060.30

## Befestigungsanker Rampa Holz



- | Finish interior application: zinc-plated steel (interior)
- | Required number per 2500 mm: 13 pieces
- | Sales unit: 13 pieces

Modell 3011	Zinc-plated steel (interior)
	Art. no.
	91.6021.800.81



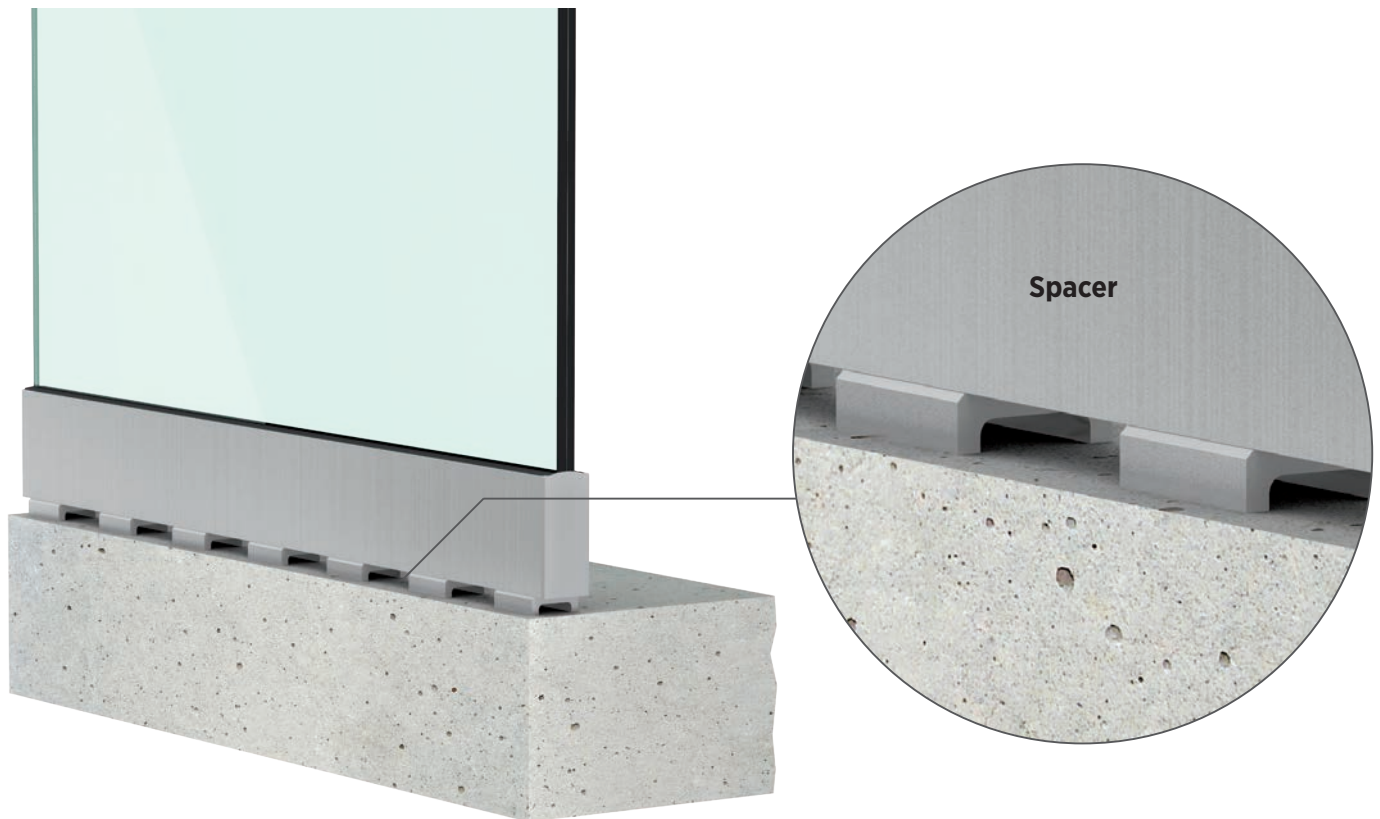
# TL-6021 | 1.5 KN SIDE MOUNT

## Flex-Fit 1.0 kN



- | Fine adjustment of glass panes
- | For glass thicknesses between 12 - 21.52 mm
- | Adjustment of up to 34 mm in relation to the vertical axis
- | Pay attention to the right glass thickness!

Length		2500 mm	5000 mm	25 mtr
Glass thickness	Wedge colour	Art. no.	Art. no.	Art. no.
12 mm	black	90.0502.112.00	90.0505.112.00	90.0525.112.00
6/6/2 (12.76 mm)	red	90.0502.113.00	90.0505.113.00	90.0525.113.00
6/6/4 (13.52 mm)	grey	90.0502.114.00	90.0505.114.00	90.0525.114.00
15 mm	yellow	90.0502.115.00	90.0505.115.00	90.0525.115.00
<b>8/8/2 (16,76 mm)</b>	brown	90.0502.117.00	90.0505.117.00	90.0525.117.00
<b>8/8/4 (17,52 mm)</b>	green	90.0502.118.00	90.0505.118.00	90.0525.118.00
19 mm	blue	90.0502.119.00	90.0505.119.00	90.0525.119.00
<b>10/10/2 (20,76 mm)</b>	red	90.0502.121.00	90.0505.121.00	90.0525.121.00
<b>10/10/4 (21,52 mm)</b>	green	90.0502.122.00	90.0505.122.00	90.0525.122.00

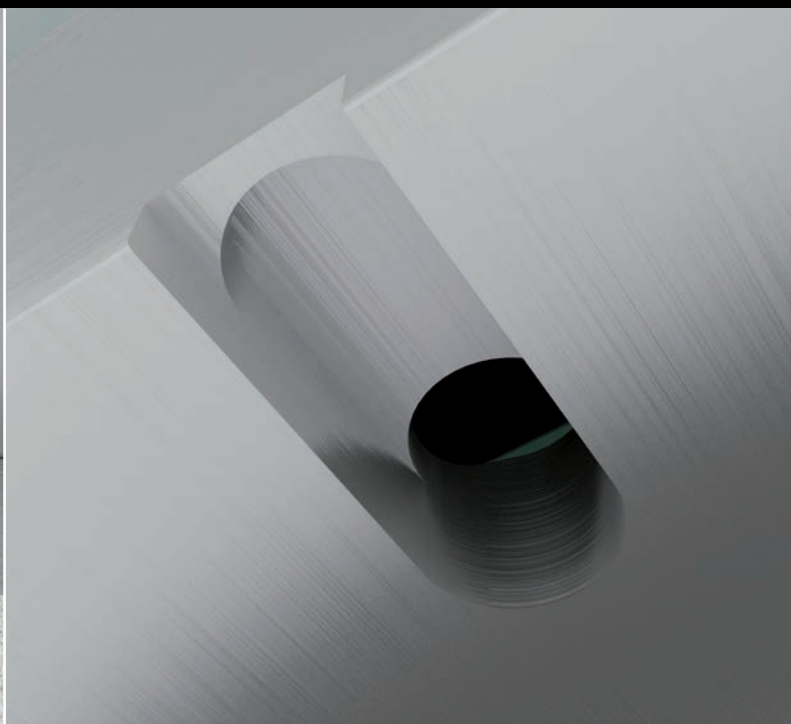
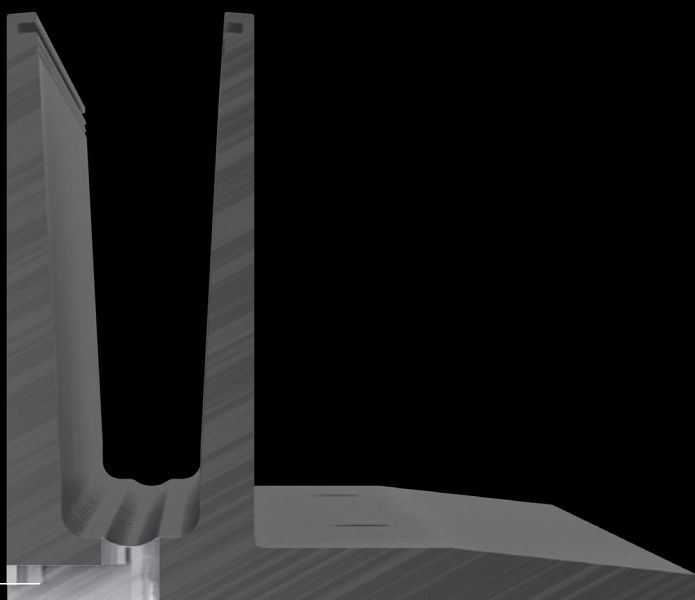


# DRAINAGE – BUT NOT A RAIN GUTTER.

If water and cold combine, this can lead to problems when using all-glass balustrades. For this purpose, all Verotti glass support profiles are equipped with drainage holes with a distance of 1000 mm between each of them. And we wouldn't be Verotti, if we hadn't thought of all sorts of situations. Depending on the season, the balustrade can be subject to the most different influences (e.g.: leaves, sand, dirt).

**We offer the only profile of this kind on the market.**

Verotti has paid special attention to ensure that the pivot point of the glass is on the same level as the rubber seals - therefore the rubber seals are never directly subjected to an increased or decreased load. As a result, dirt affects the balustrade much less.



**Verotti Pty Ltd.**

Building M

61-65 Roberts Rd

Greenacre 2190

email: [info@verotti.com](mailto:info@verotti.com)

[www.verotti.com](http://www.verotti.com)