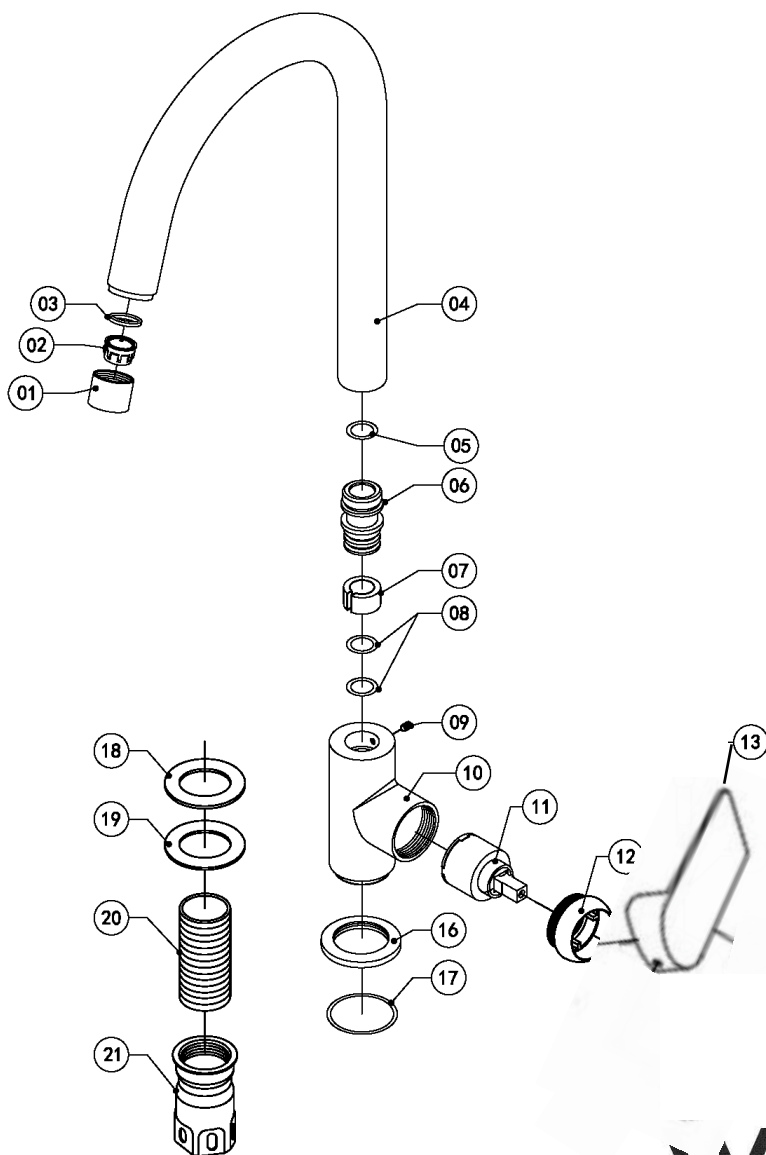


PARTS IDENTIFICATION



LUCI INSTALLATION INSTRUCTION LV.6000



IMPORTANT!

Please read this instruction **Prior** to installation



T 1300 837 688 E info@verotti.com
www.verotti.com

INSTALLATION

1. Flush the pipe work thoroughly prior to installation.
2. Tighten the threaded fixing housing (Part 12) into the base of the mixer ensuring fixing housing is secure
3. Screw the cold only flexible tail (Part 7) into the underside of the mixer body and hand tighten .
4. Fit O-Ring (Part 9) into the underside of groove on the base flange (Part 8) .
5. Centre the Base Flange + O-Ring (Part 8+9) centre of the hole of Basin or Bench top prior to positioning the Mixer
6. Place the Basin Mixer Into the groove on the base flange carefully position the threaded fixing housing and Cold Flexi Tail into the Hole of the basin or bench top .
7. Hold the mixer in place at the top of Basin or bench top and position the rubber washer (Part 10) and then the Metal Washer (Part 11) over the threaded housing on the underside of basin or bench top
8. Ensure Mixer is in correct position and hand tighten the Fixing Nut (Part 13) over the threaded housing ensuring the rubber washer compresses at the underside of the basin or bench top. A screw driver may be required to provide additional torque to the fixing nut to ensure it is tightened adequately .
9. Once basin mixer is in position and tightened , feed the hot flexi (Part 7) into the underside of the mixer body and hand tighten .
10. Connect the flexible tails to firmly to the to the water supply connection , Turn on the water supply on and check for any leaks

IMPORTANT RECOMMENDATIONS FOR INSTALLATION

Installation should comply to AS/NZS3500.1 2003 or relevant local requirement.
Not suitable for gravity feed application.
Hot & cold water inlet pressures should be equal.



WATER PRESSURE

Operating static pressure is 150 - 500kpa. If pressure exceeds this, then an approved pressure limiting valve must be installed.



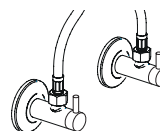
PRE-FLUSH

Always flush out the pipework before connecting any faucets. Damage caused to the faucet by debris coming through the pipework is not covered under warranty.



WATER TEMPERATURE

Maximum hot water temperature is 75 degree.



STOP TAP

Angle valves are recommended



ATTENTION!

Failure to do so will void the warranty.