



verotti
— Bathroom Culture —

VEROTTI INTELLIGENT BTW WC INSTALLATION

Apply to ET.100



Important Notice

Installation Instructions

Installation instructions are used to guide the correct installation method of Verotti's Integrated Intelligent Wall Faced Pans. Please read thoroughly prior to installation.

Icon and Identification



Danger Lead to serious injury or even death.



Caution Operation practice without physical injury.

Please read the instructions in this chapter

Target Reader and Installer Qualifications

This smart toilet with water pipe can only be installed by qualified plumbers.

Electrical installation can only be carried out by qualified electricians.

Safety Instructions



Caution Product and/or performance damage

* Be sure to abide by the national/regional standards and local installation regulations.



Caution Product damage caused by the frozen water

* It is forbidden to install smart toilets in rooms with the risk of frost. The lowest indoor temperature is not less than 4°C.



Caution Product damage caused by condensation

* When the smart toilet is moved from the low temperature to the high temperature environment, please unplug the power for several hours firstly.

Forbid to dismantle independent components



Danger Deadly electric shock danger!

* If the power cord is damaged, it must be replaced by the manufacturer's maintenance personnel or professionals.

* Appliance must be properly connected to ground.

* Fixed wiring must be equipped with an electric shock distance device under full-pole disconnection over-voltage level III conditions according to wiring rules.

* Specification of fixed wiring power supply wire is 1-2.5 square millimeters of cross section area.

* Ensure that the grounding end of the power supply line is 10 mm longer than that of the fire line (L) and the zero line (N).

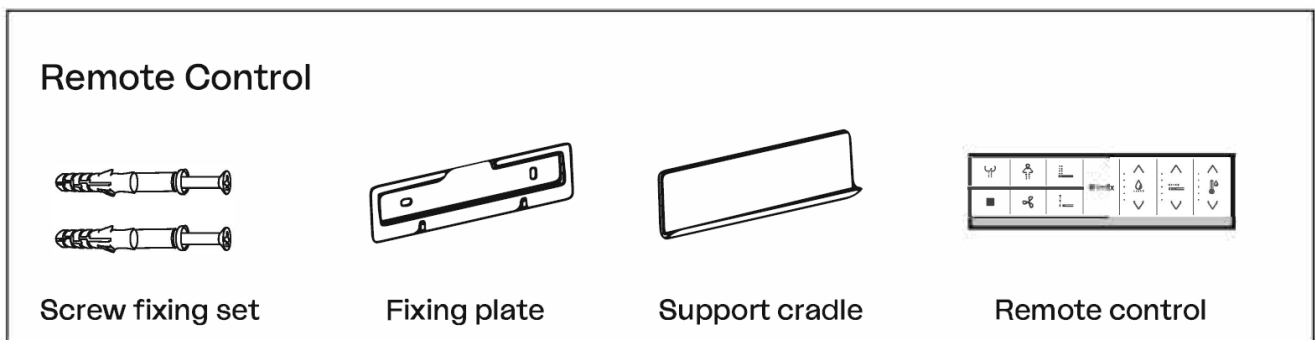
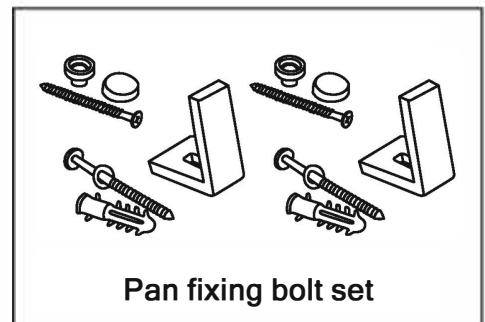
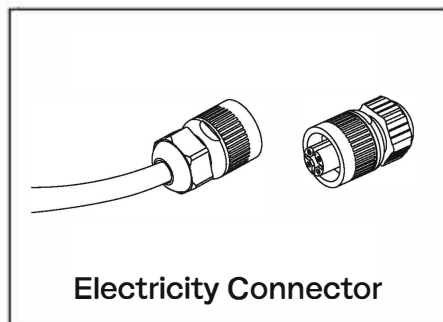
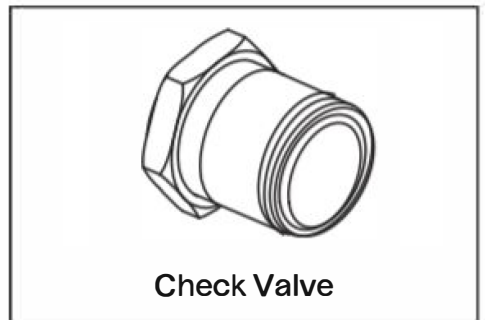
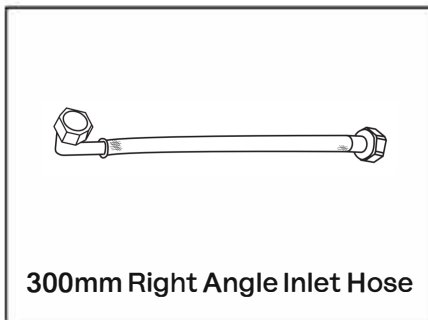
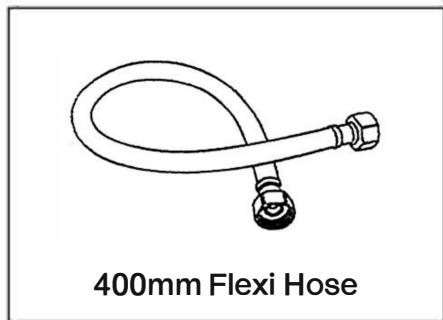
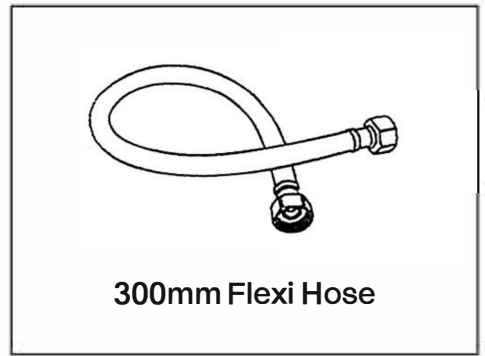
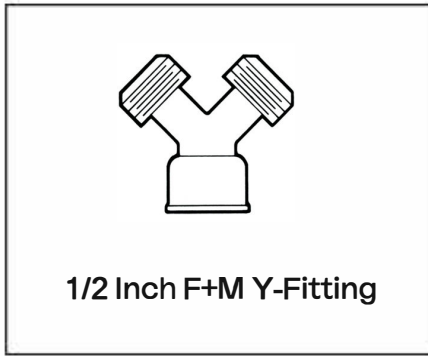
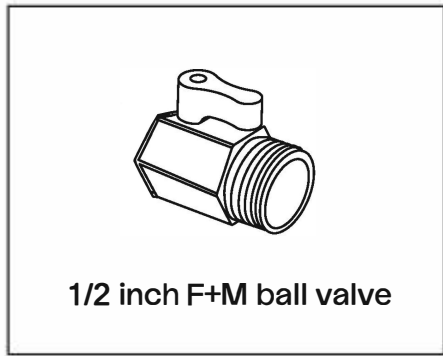


Caution

* The unit of length in this installation instruction is millimeters (mm).

NOTE - Please refer to local plumbing code, as an additional backflow device may be a requirement for installation.

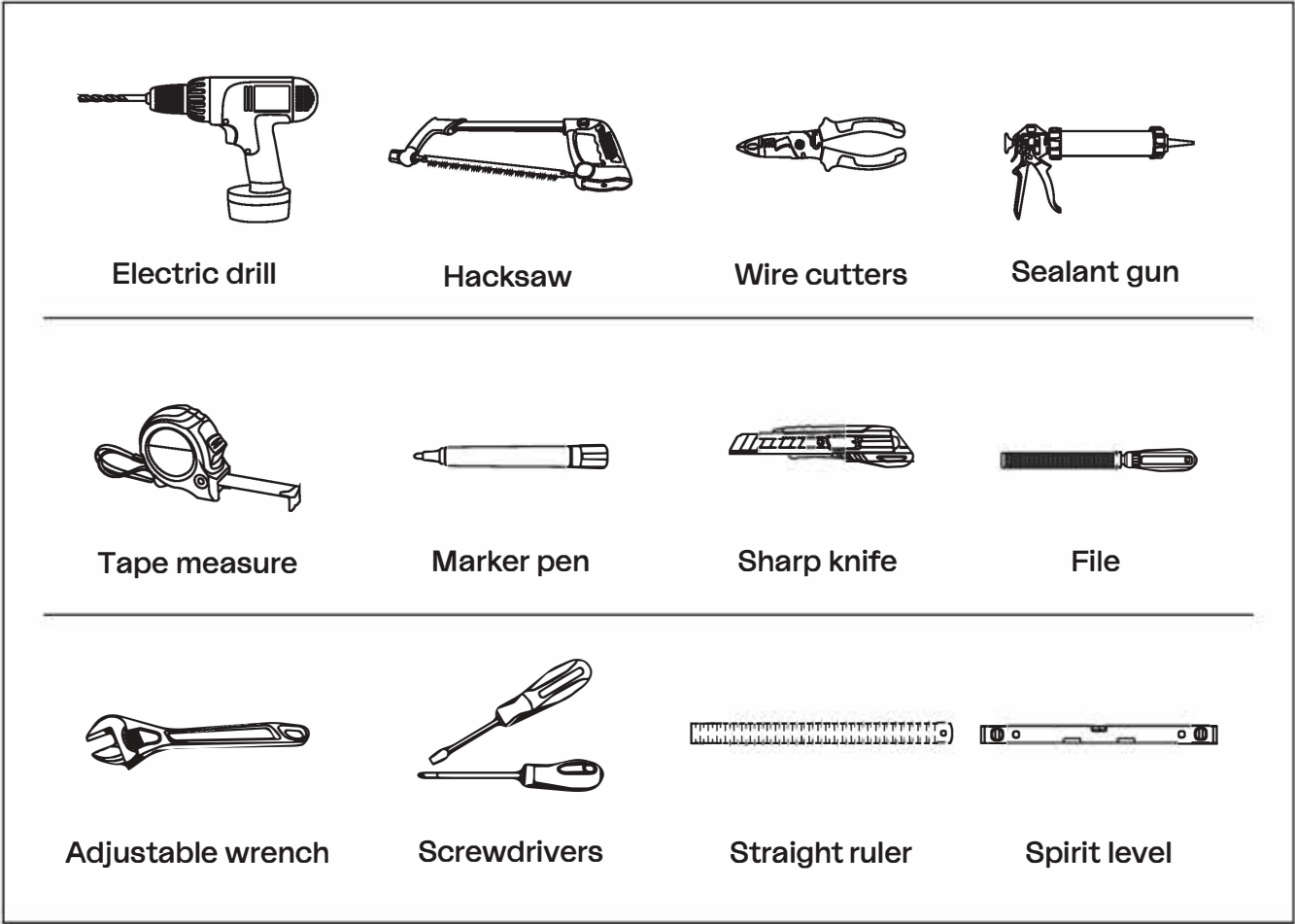
Parts List



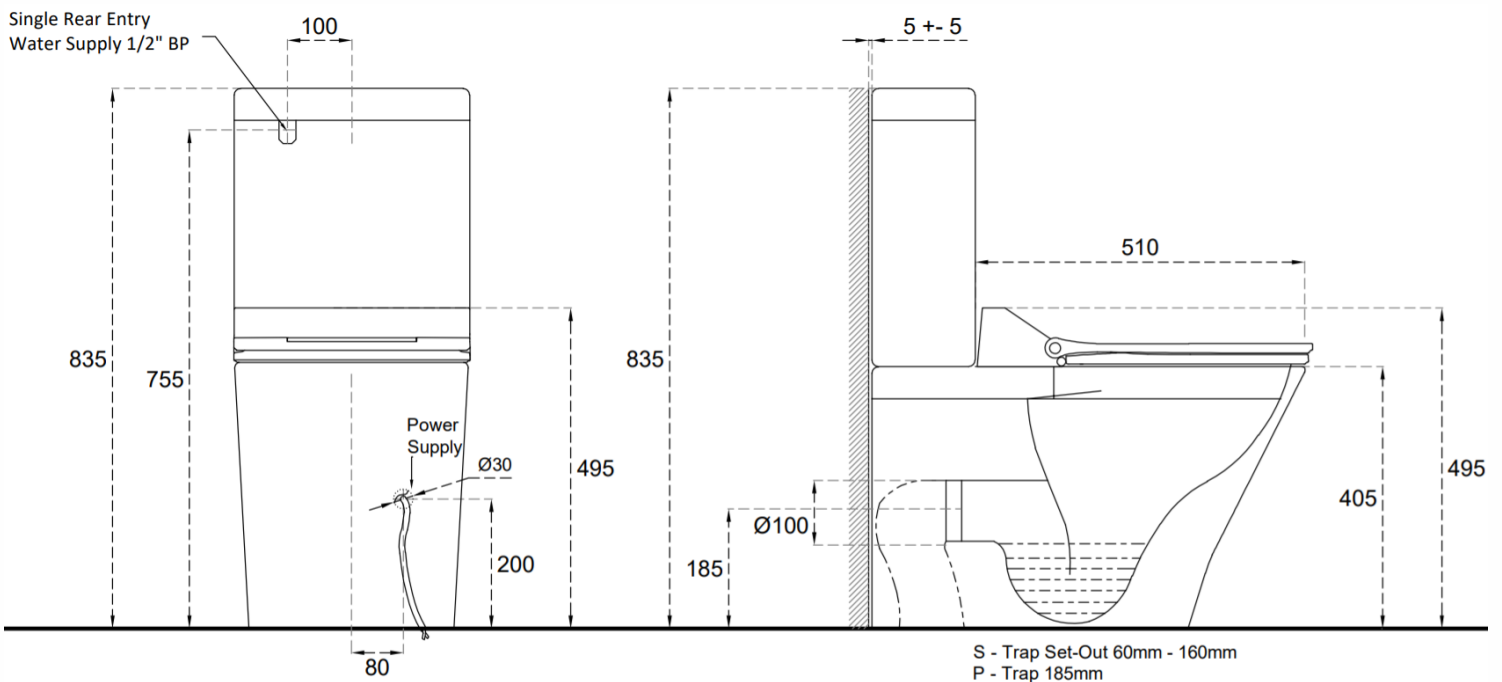
Caution Remote Control Installation

* Please make sure that the toilet is installed before the remote control is installed.

Installation Tools (not supplied)



Technical Drawing

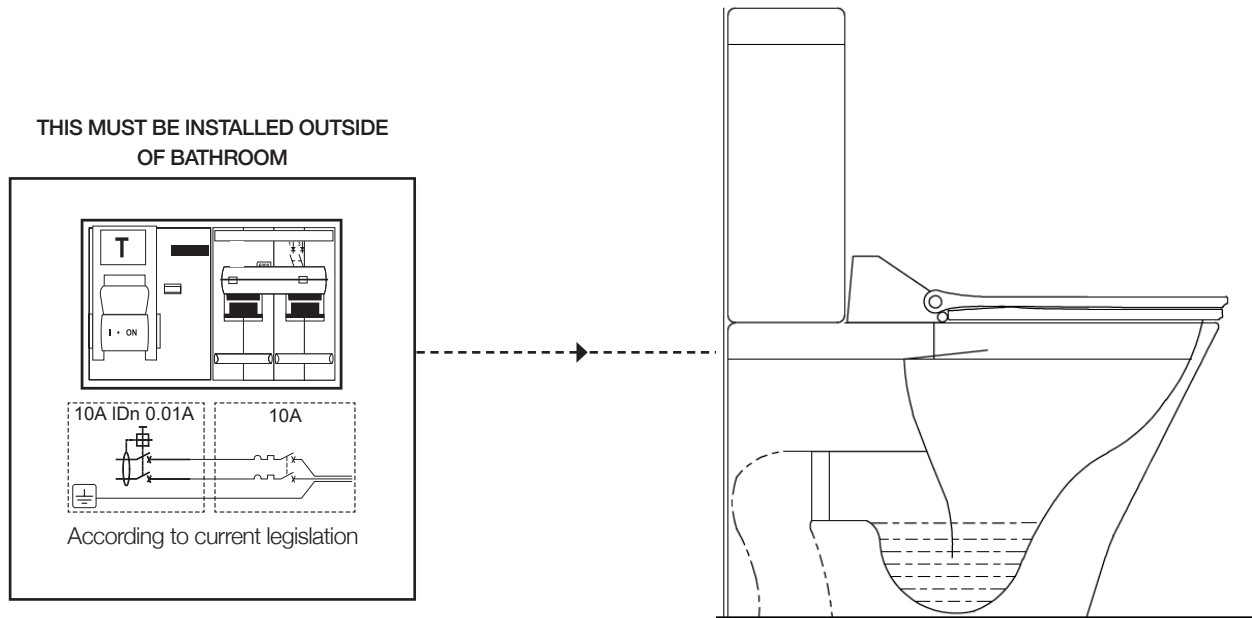


Electrical Requirements



MANDATORY

1. The electrical components of the Verotti Intelligent Toilet must be protected by a 10A RCD and a 10A magnothermic switch. Both switches **MUST** be placed outside of the bathroom.
2. A fixed power connection must be connected by a dedicated flexible power cable consisting of 3 wires (active, neutral and earth) of a least 1mm². The connection must be done inside an IPX4 or better junction box. If it is necessary to replace the power cable, this must be completed by a qualified person.



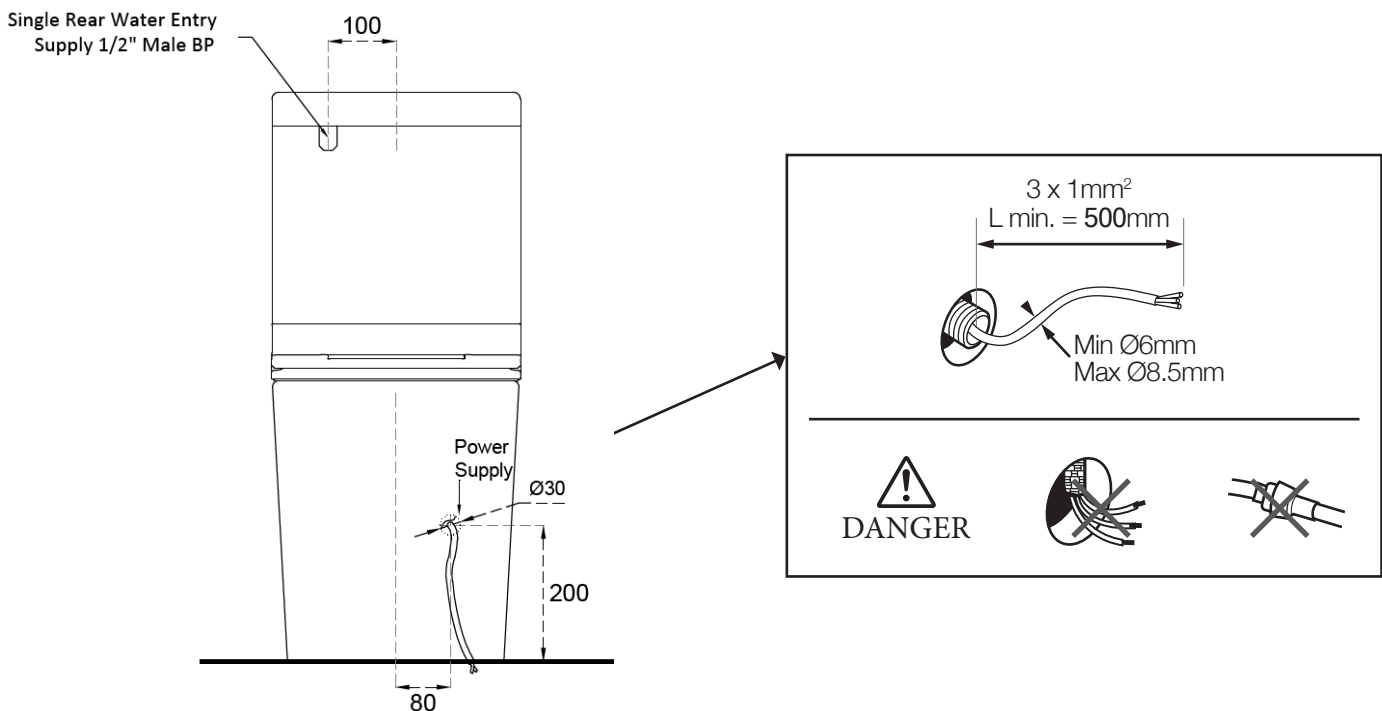
Power Supply must be firmly grounded.

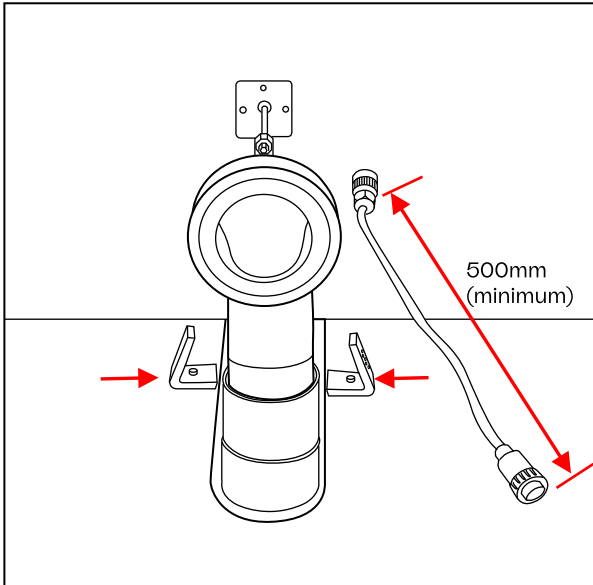
NOTE: Any electrical work conducted on this product must be installed by a qualified person in accordance with AS/NZ 3000 Wiring Rules.

Please consult with a qualified electrician to confirm an appropriate installation location.

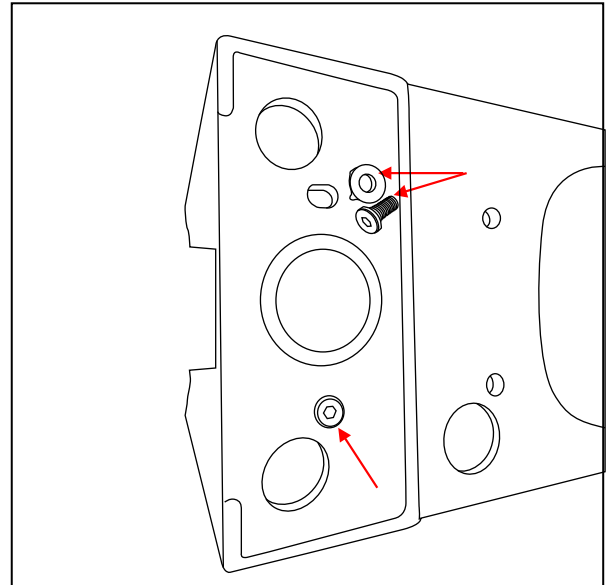
No additional electrical equipment should be fitted inside the WC.

This product (IPX4) shall not be exposed to water jets for cleaning purposes.

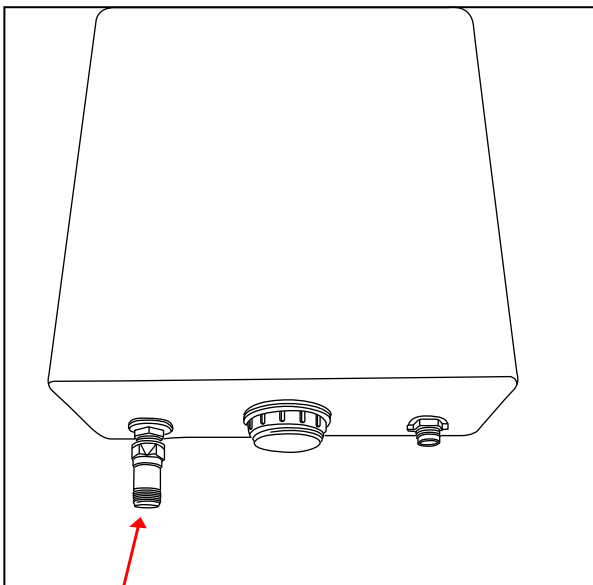




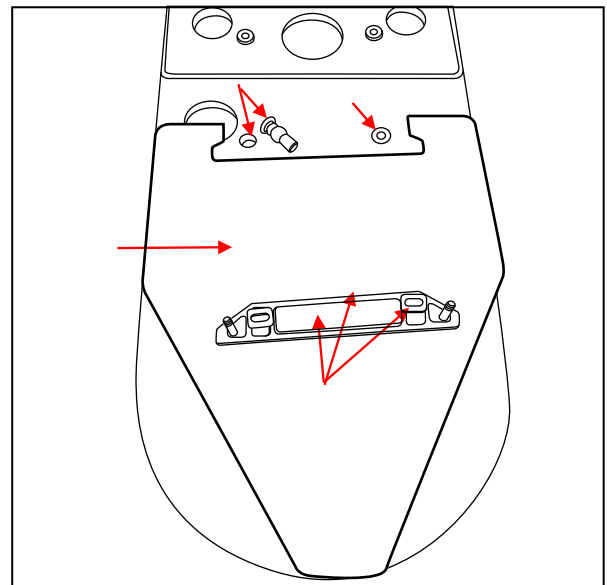
1. Ensure mains power is OFF during all installation work. Ensure power cable (supplied) has been installed in the correct position. Define the position of the connector. Use the pan foot as a template to install the floor fixing bracket.



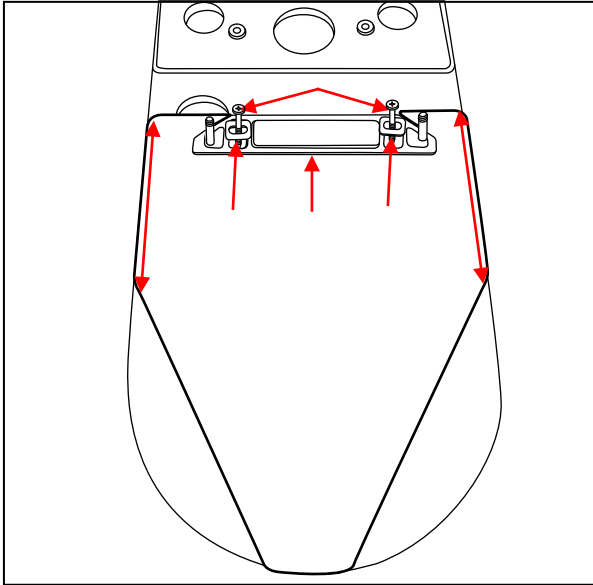
2. Install the cistern fixing kit bolt (supplied) into the holes provided on the pan & tighten the nut on the underside of the thread.



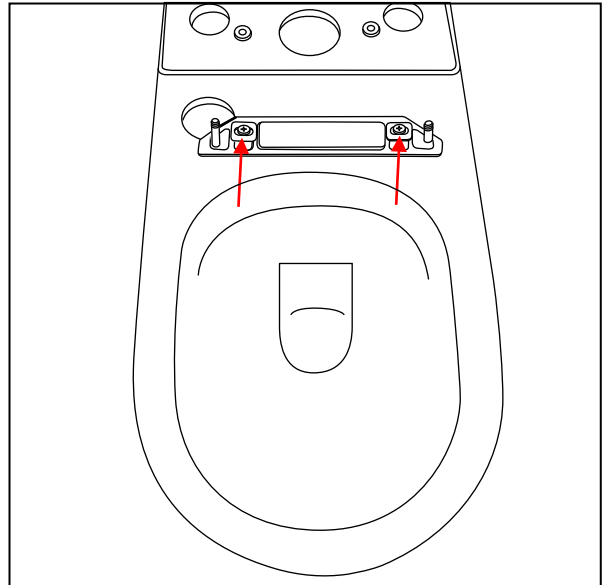
3. Connect the check Valve (supplied) to the underside of water entry connection as shown above.



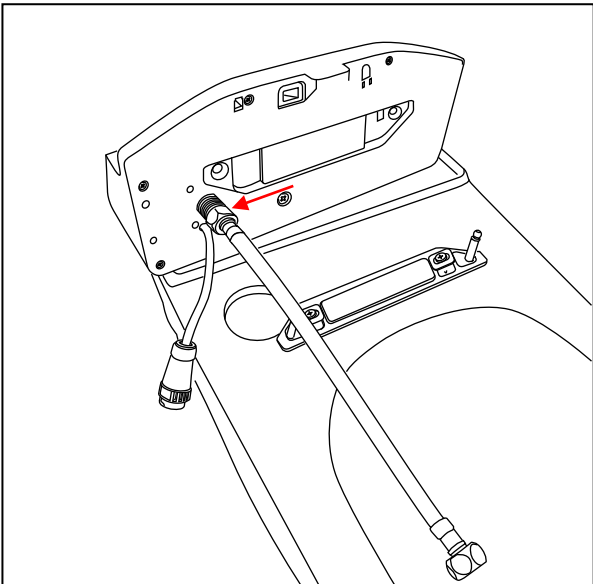
4. Use the cardboard template (supplied) with the seat engine for correct position of the seat hinge plate (supplied). Install rubber grommets (supplied) into the seat fixing holes on the pan.



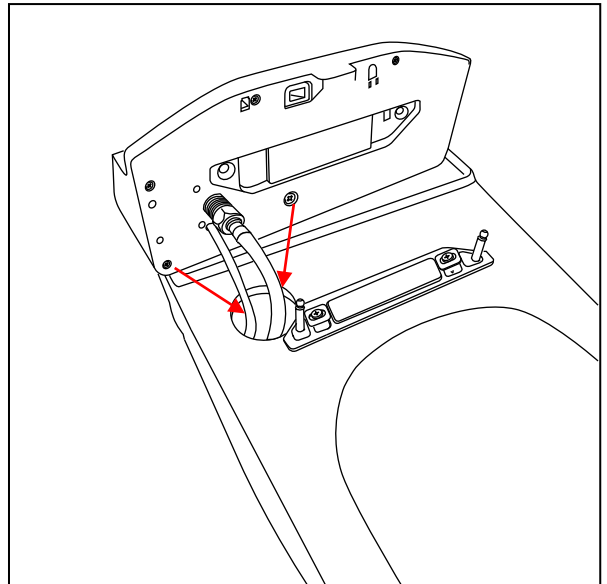
5. Position hinge plate as shown above. Insert the washer & screws (provided)



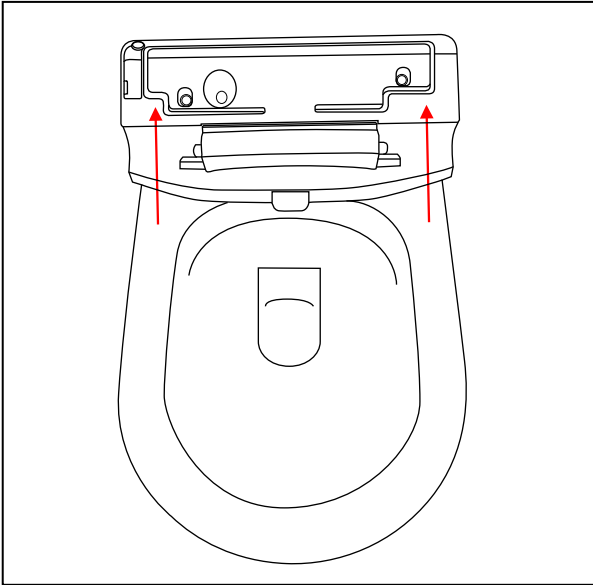
6. Tighten the screws with a Philips head screwdriver into the rubber grommets, securing the hinge plate the pan.



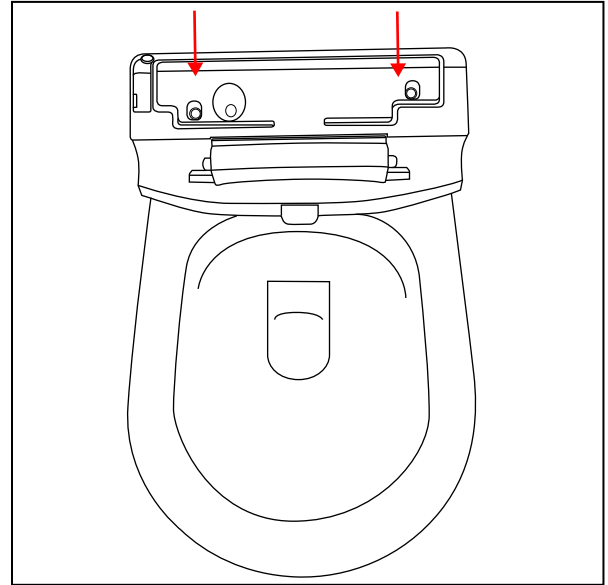
7. Connect the 300mm flex hose (supplied) to the inlet connection on the under side of the seat engine.



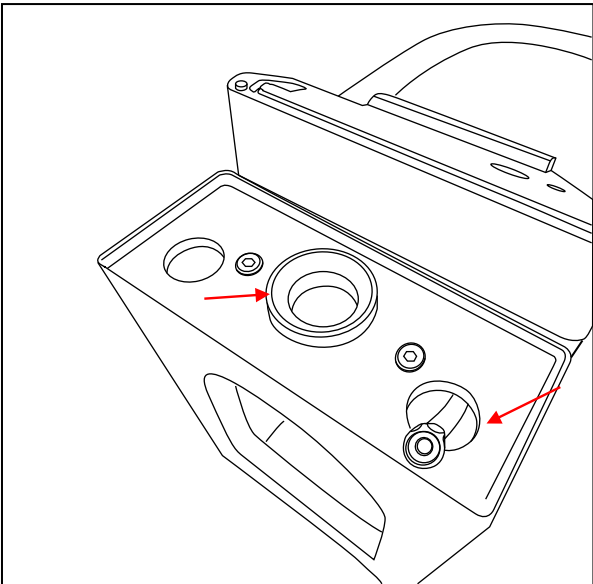
8. Ensure the hose & power cable is positioned through the hole supplied in the top surface of the pan.



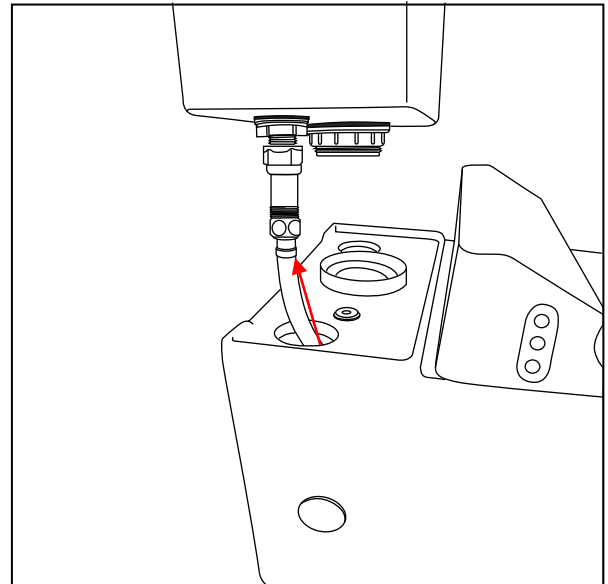
9. Position the seat engine in place ensuring a fit to the rear surface on the pan.



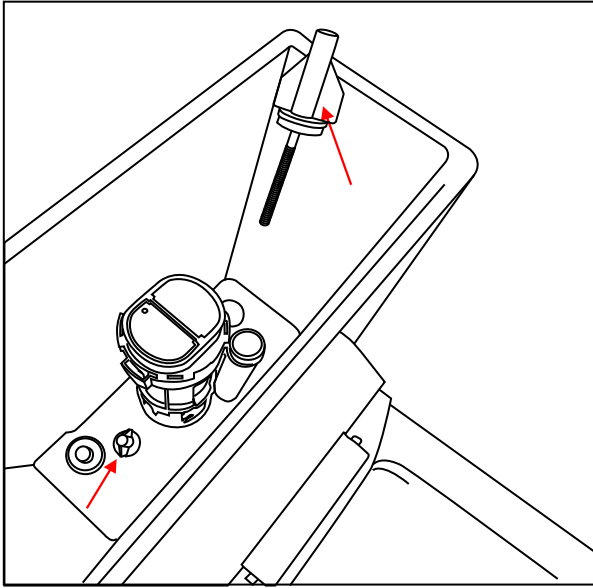
10. Once positioned push down onto the seat engine & ensure the engine locks into the hinge pins, located on the hinge plate.



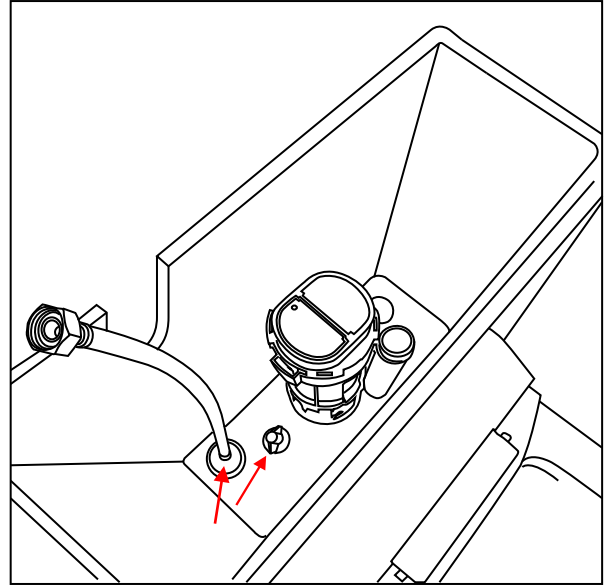
11. Thread the 300mm flexi hose from the under side of the seat engine water entry up through the hole supplied on the pan surface. Position Kee seal (supplied) into the pan outlet prior to placing the cistern on to the pan platform.



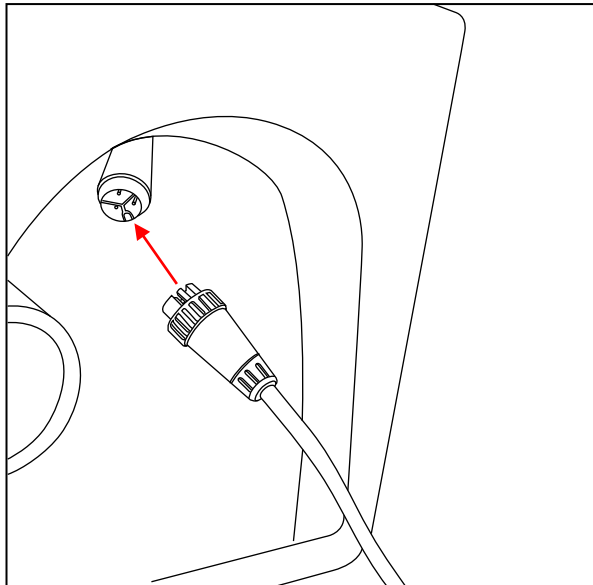
12. Connect the 300mm flexi hose to the check valve, position the cistern in place onto the pan platform.



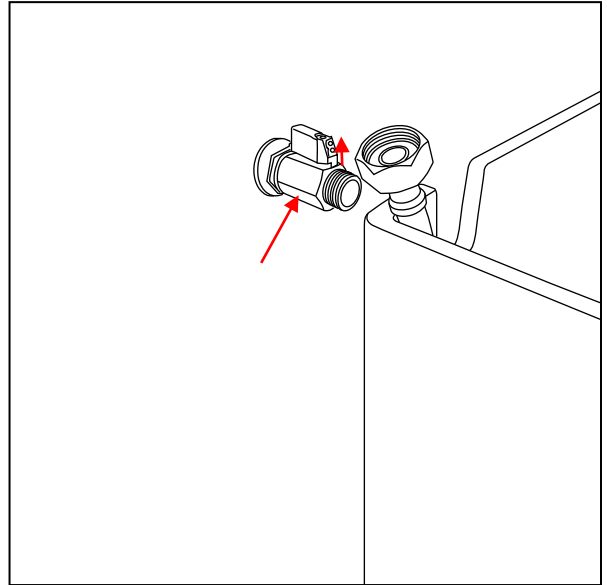
13. Hand tighten the fixing kit through the cistern into the locking bolt. Tighten evenly both sides.



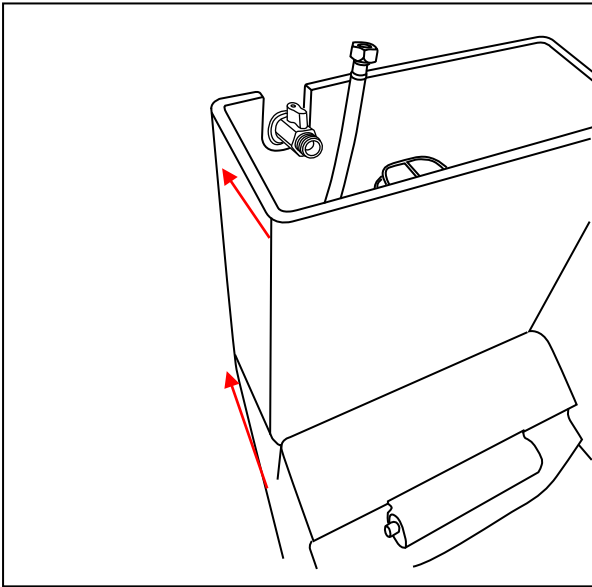
14. Connect the 400mm flexi hose (supplied) to the internal threaded bung within the cistern.



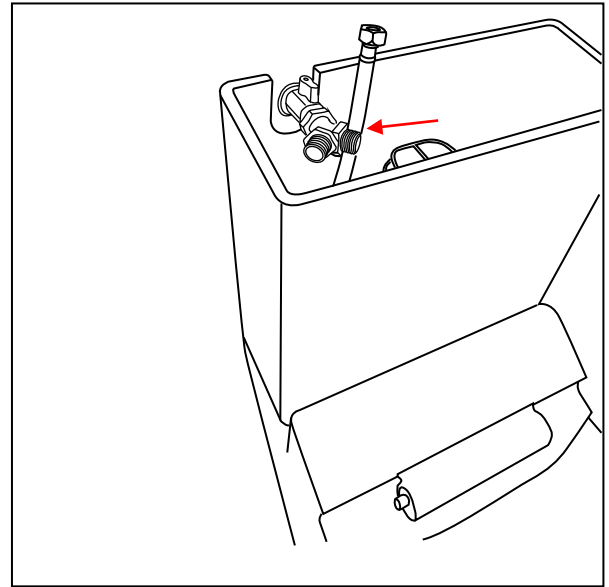
15. Ensure power is OFF prior to connecting the IPX4 push - screw water proof connection.



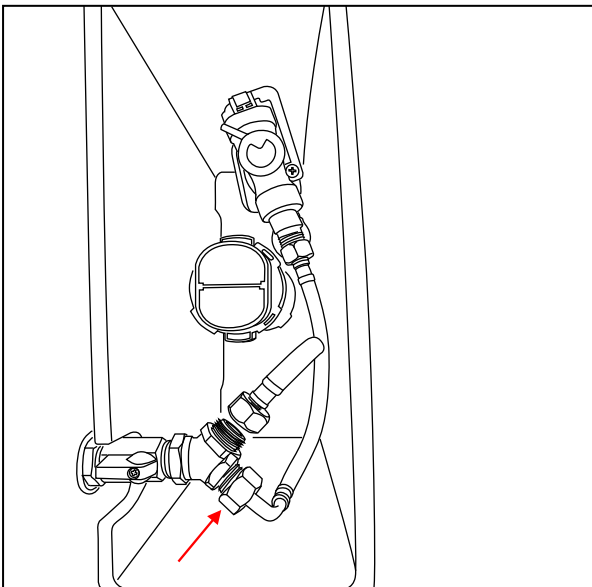
16. Connect 1/2 inch female ball valve (supplied) into position with the on/off lever facing upright position as shown.



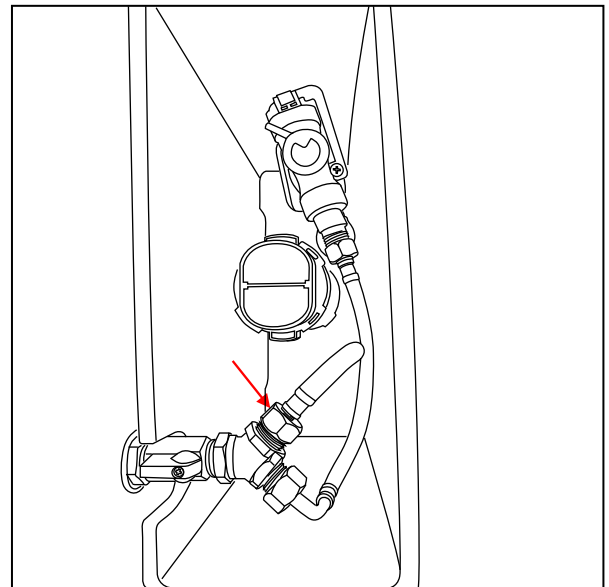
17. Position the toilet suite in the installation area. The pan spigot will engage & seal onto the vario bend.



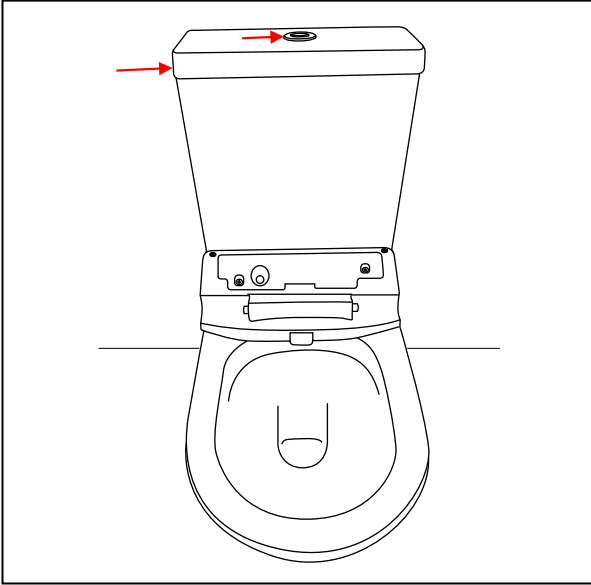
18. Connect the 2-way Y-fitting (supplied) to the ball valve as shown above.



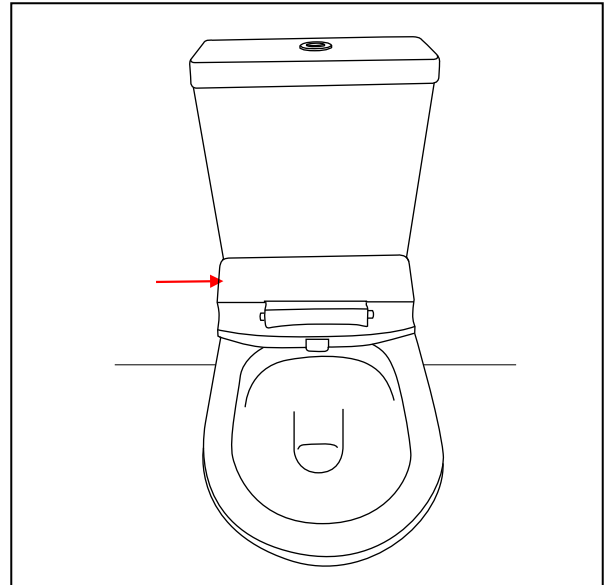
19. Connect the right angle 300mm flexi hose (supplied) to the Y-fitting & inlet valve as shown above.



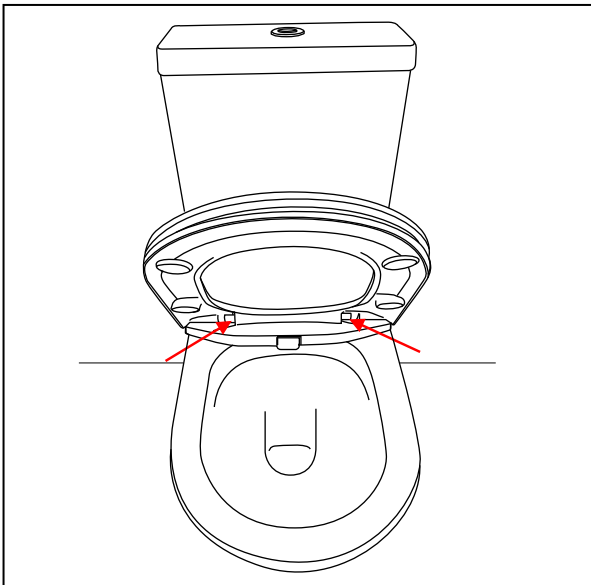
20. Install the 400mm flexi hose (supplied) to the Y-fitting as shown above. Turn water on, check for any leaks.



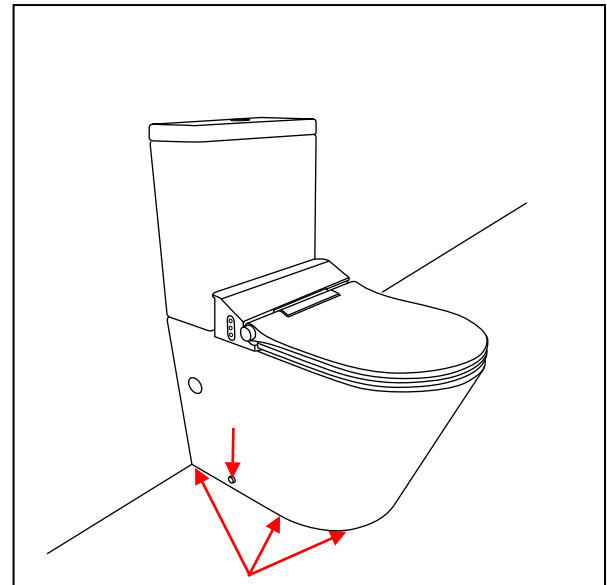
21. Install the cistern flush button, adjust the rods to the correct length & position the cistern lid in place.



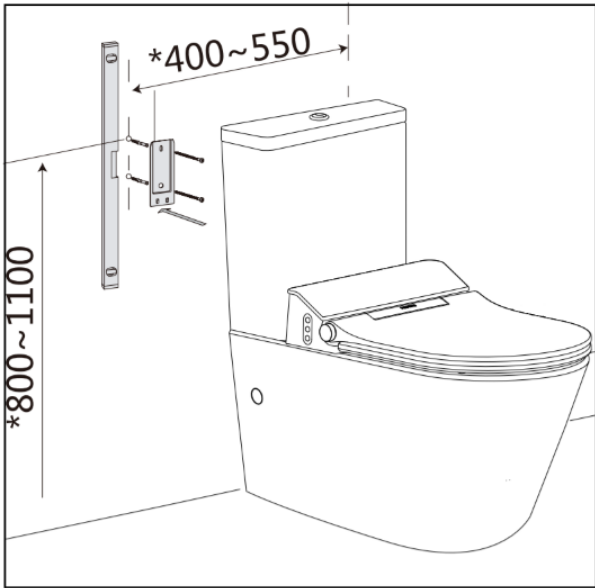
22. Install magnetic cover plate onto the seat engine.



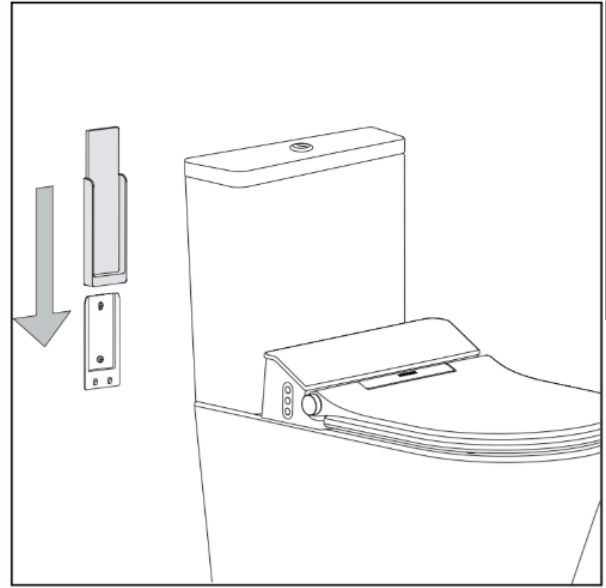
23. Fit the seat cover into the slots on the seat engine.



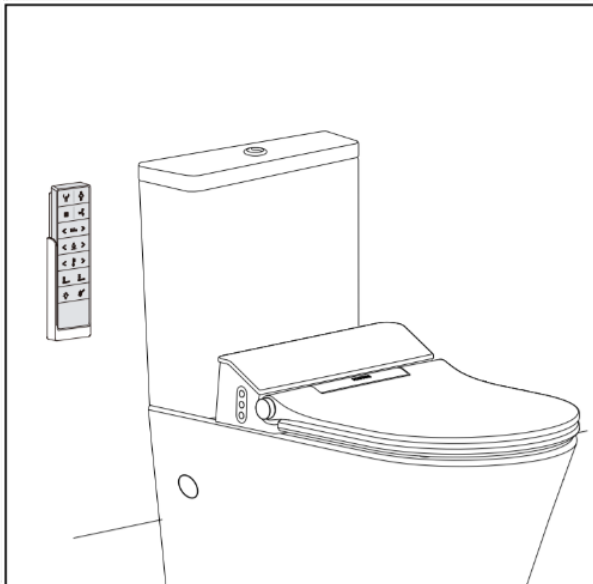
24. Pack pan using silicon packer where necessary when floor is not level, install pan fixing screw and cap into grommet (supplied). Apply a suitable sealant between the pan and adjacent surfaces.



25. Fix the backplate first referring to the recommended position shown above or another suitable position for your application.



26. Slide the remote control bracket in place.



27. Installation complete.

Address: Building M, 61-65 Roberts Rd
Greenacre 2190 NSW Australia
Tel: 1300 837 688
Email: info@verotti.com
Website: www.verotti.com