

# SPECIFICATION

## CITY LIFE



**LEAD FREE** LEAD FREE LEAD FREE  
 LEAD FREE LEAD FREE LEAD FREE  
 LEAD FREE LEAD FREE LEAD FREE

### ENDURANCE + QUALITY + RELIABILITY

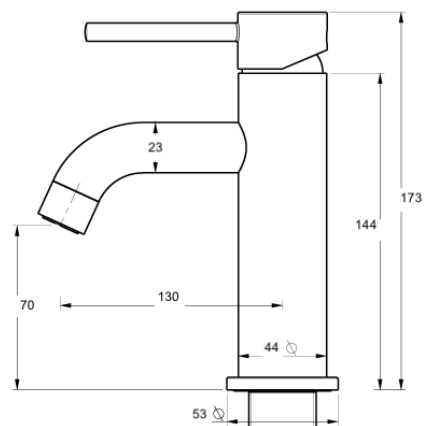
Constructed from the highest grade of corrosion resistant stainless steel giving you the confidence and peace of mind that health and safety comes first when it comes to water experiences. Brass fittings and faucets with long hours of sitting water is a catalyst for lead leaching, producing high levels of harmful toxins. Verotti Lead Free Tapware is committed to delivering health and wellbeing as it's highest priority.

Model: **CITY LIFE INOX BASIN MIXER**

- Code: CL.1000BN Brushed Nickel  
 CL.1000MB Matte Black  
 CL.1000GM Gun Metal  
 CL.1000BB Brushed Brass  
 CL.1000BRZ Brushed Bronze

- Features: Lead Free  
 304 Stainless Steel  
 35mm Ceramic Cartridge  
 150 - 500kpa working Pressure  
 Suitable for High/Mains Pressure Only  
 Approx. 4.5L/min Water Flow Rate  
 WELS 6 Star

**304 Stainless Steel** **Lead Free**



**verotti**  
Bathroom Culture



Information provided represents the actual product available at the time 01/01/2021. The design and specification are subject to change without notice. Dimensions are approximate.