

SPECIFICATION

CITY LIFE



Model: **CITY LIFE HIGH BASIN MIXER**

Code: CL.1000HBN Brushed Nickel
 CL.1000HMB Matte Black
 CL.1000HGM Gun Metal
 CL.1000HBB Brushed Brass
 CL.1000HBRZ Brushed Bronze

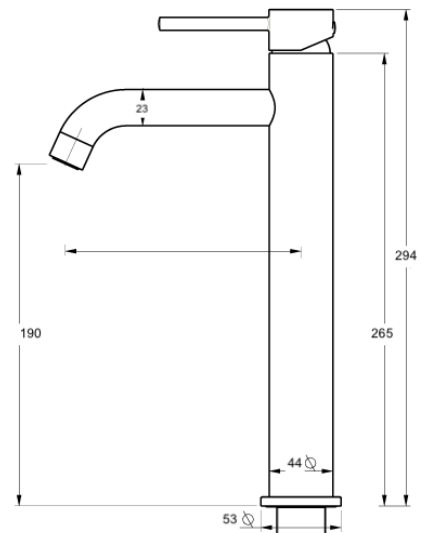
Features: Lead Free
 304 Stainless Steel
 35mm Ceramic Cartridge
 150 - 500kpa working Pressure
 Suitable for High/Mains Pressure Only
 Approx. 4.5L/min Water Flow Rate
 WELS 6 Star

304 Stainless  **Lead Free**

LEADFREELEADFREELEADFREE
 REELEADFREELEADFREELEADFREE
 ADFREELEADFREELEADFREELEADFREE

ENDURANCE + QUALITY + RELIABILITY

Constructed from the highest grade of corrosion resistant stainless steel giving you the confidence and peace of mind that health and safety comes first when it comes to water experiences. Brass fittings and faucets with long hours of sitting water is a catalyst for lead leaching, producing high levels of harmful toxins. Verotti Lead Free Tapware is committed to delivering health and wellbeing as it's highest priority.



verotti
 Bathroom Culture



Information provided represents the actual product available at the time 01/01/2021. The design and specification are subject to change without notice. Dimensions are approximate.