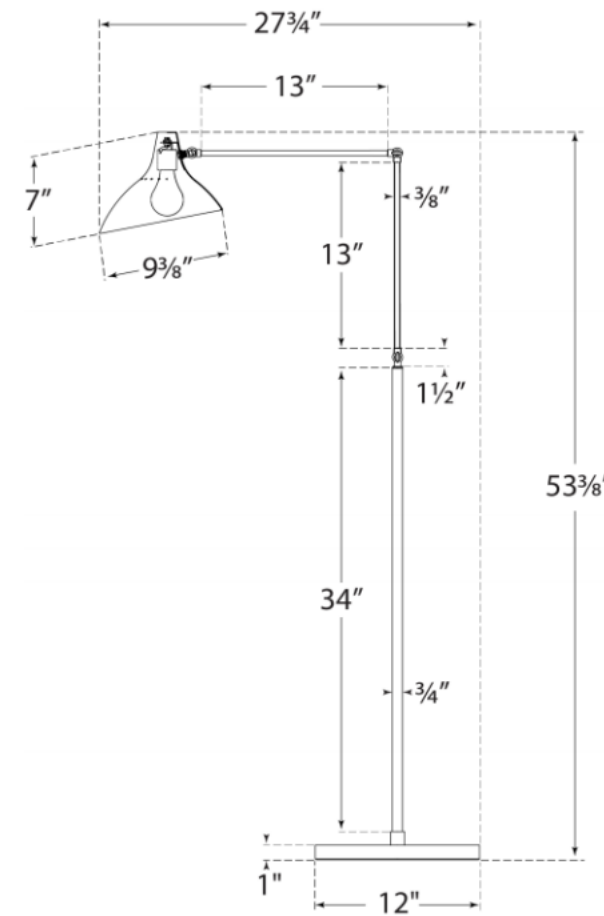


# STOFFER HOME

## Charlton Floor Lamp



Height: 51" - 63"  
Width: 12"  
Extension: 42"  
Base: 12" Round  
Finishes: BLK, WHT  
Socket: E26 Keyless w/ Floor Switch  
Wattage: 60 A  
Note: UL Only



ARN1006