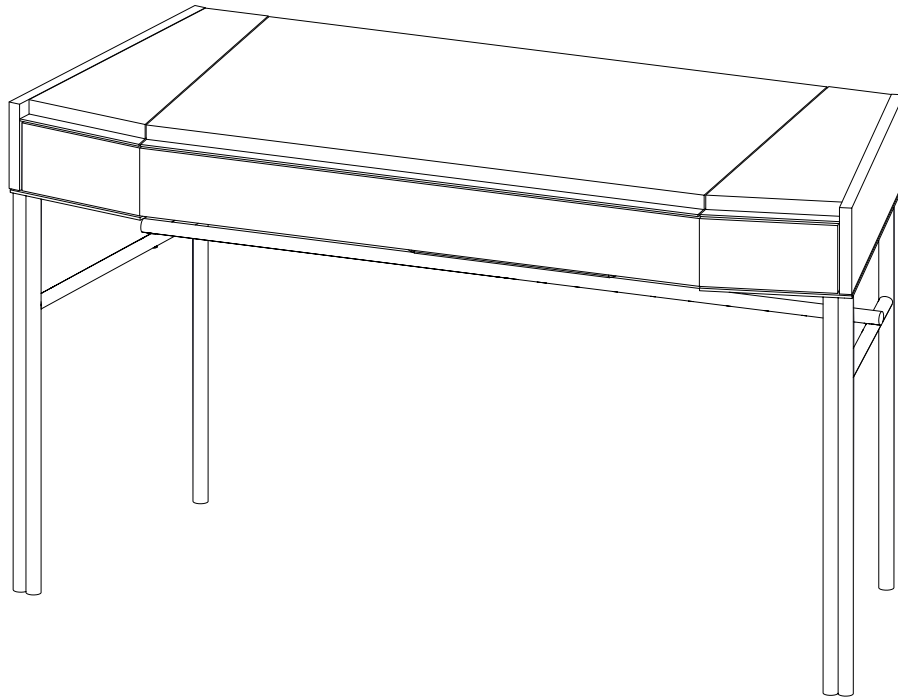
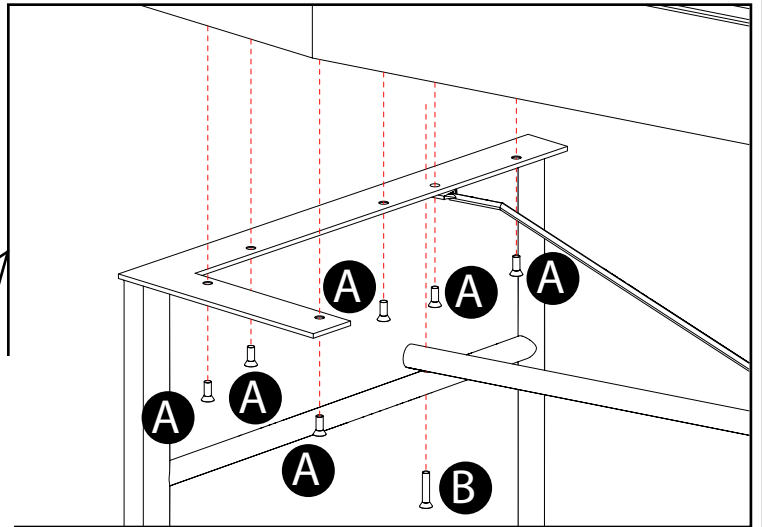
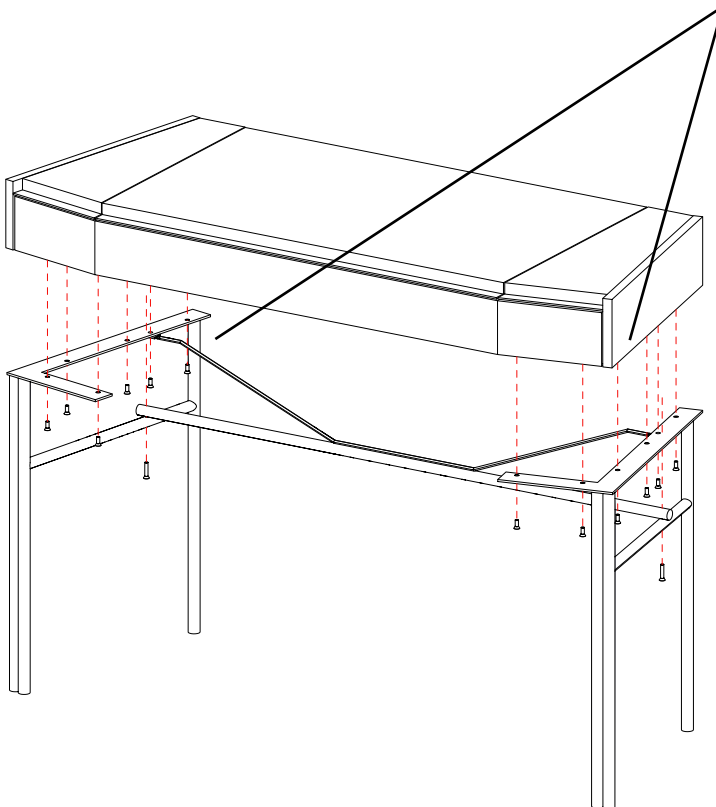


VANITY



1



A



N°12 TPS
6Mx16

B



N°2 TPS
6Mx30