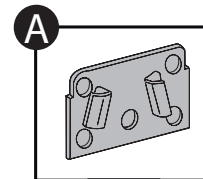
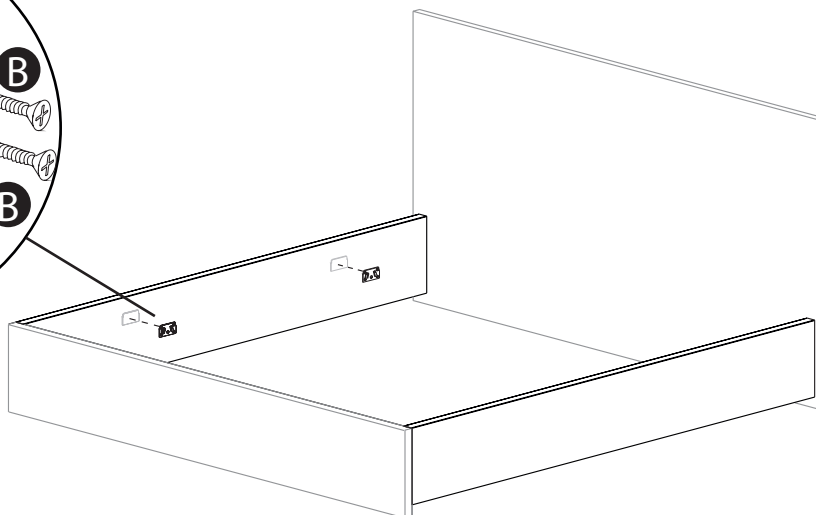
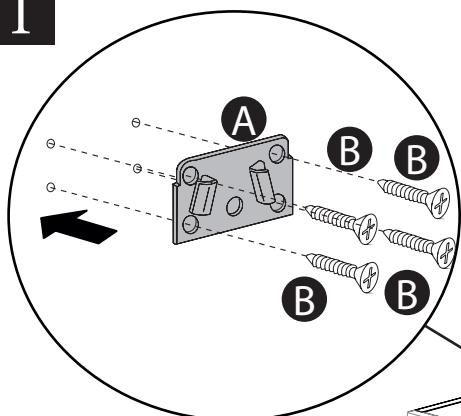
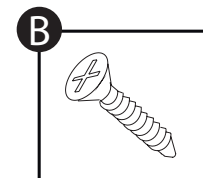


Montaggio Aste Abete - Assembly of Wood Supports

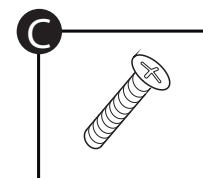
1



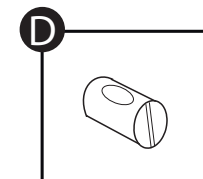
N°4



N°16



N°2



N°2

2

