

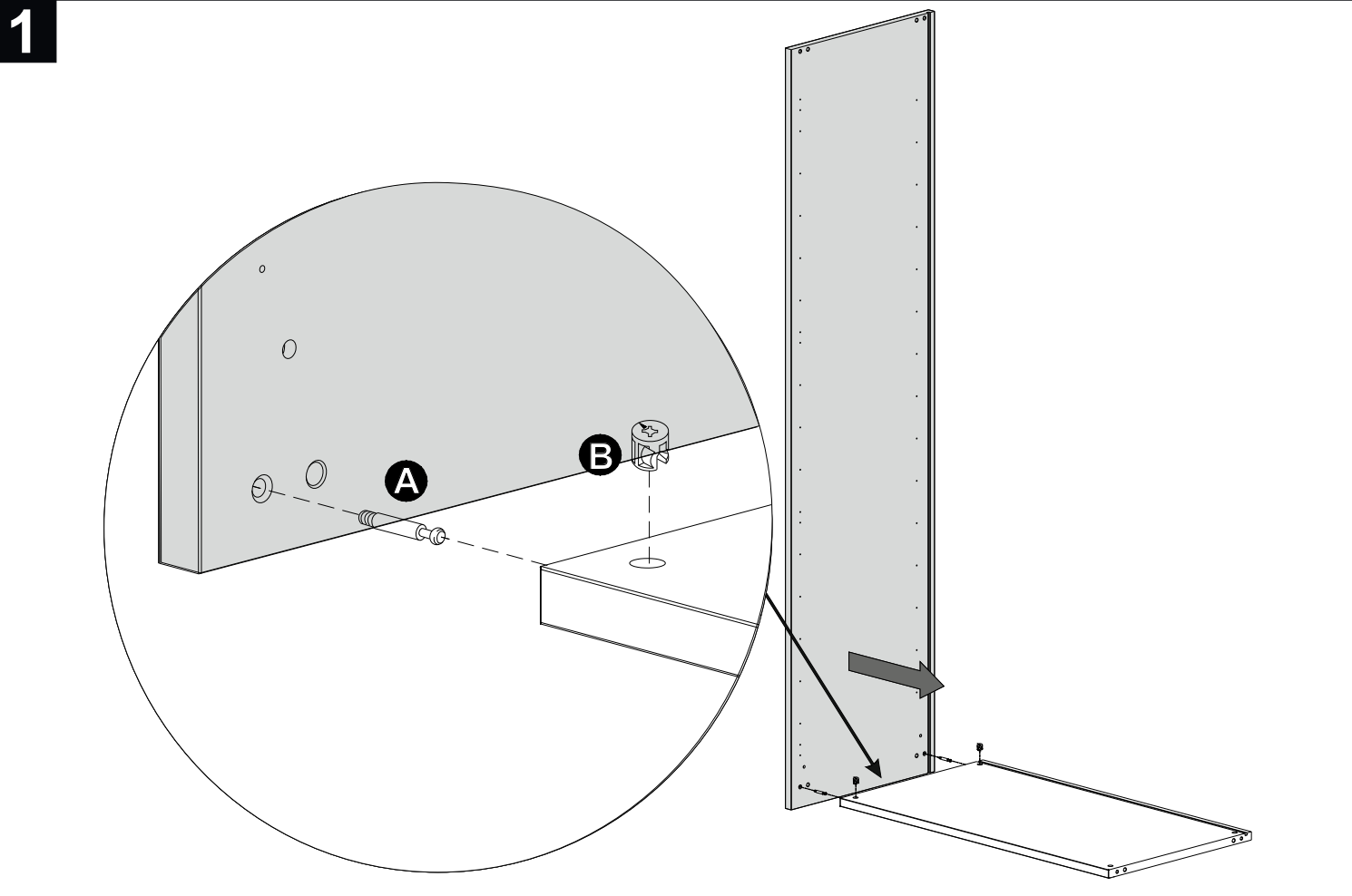
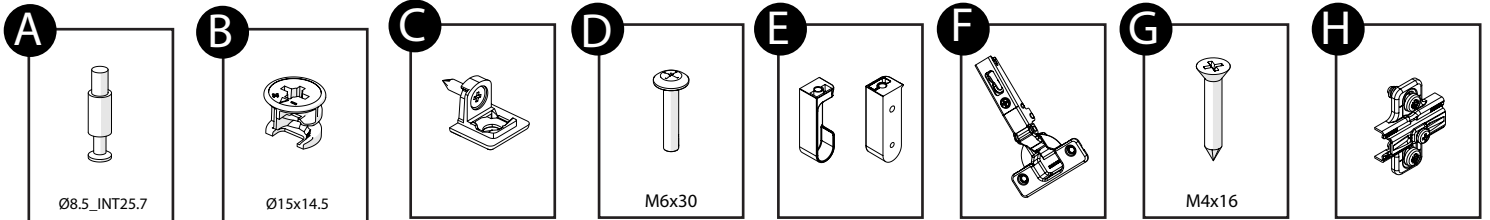
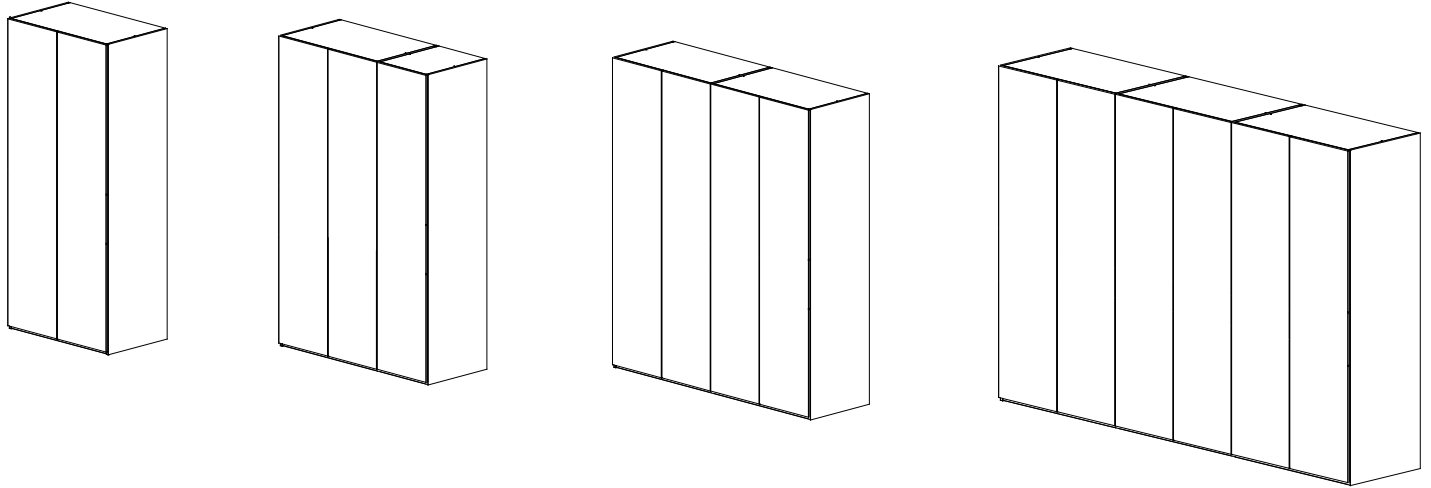


ALF. UNO S.P.A.
VIA S. PIO X 17
31010 FRANCONIGO DI GAIARINE (TV) ITALY
TEL. +39-0438 997 111
FAX ITALIA +39-0438 997 245
FAX ESTERO +39-0438 997 246
alf@alf.it www.alf.it

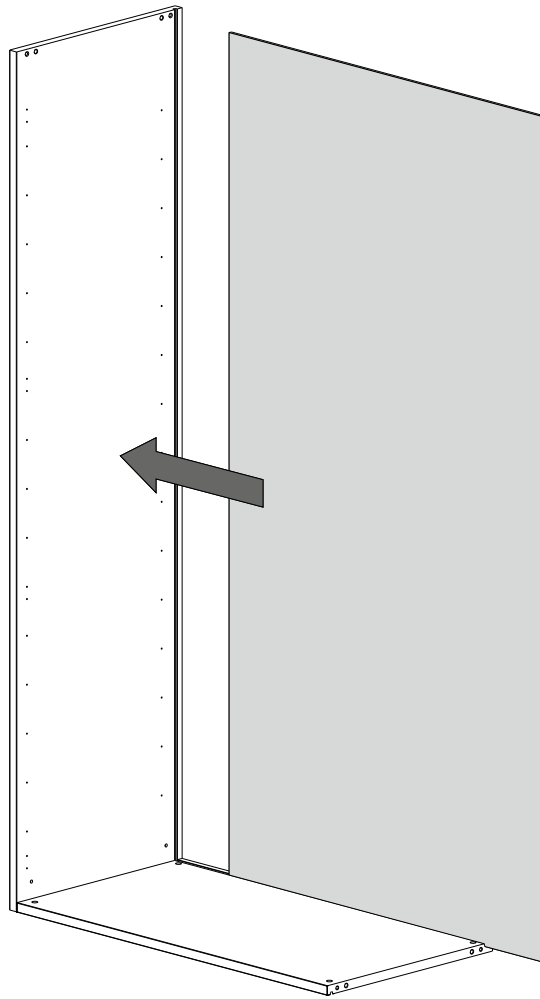


ITALIA

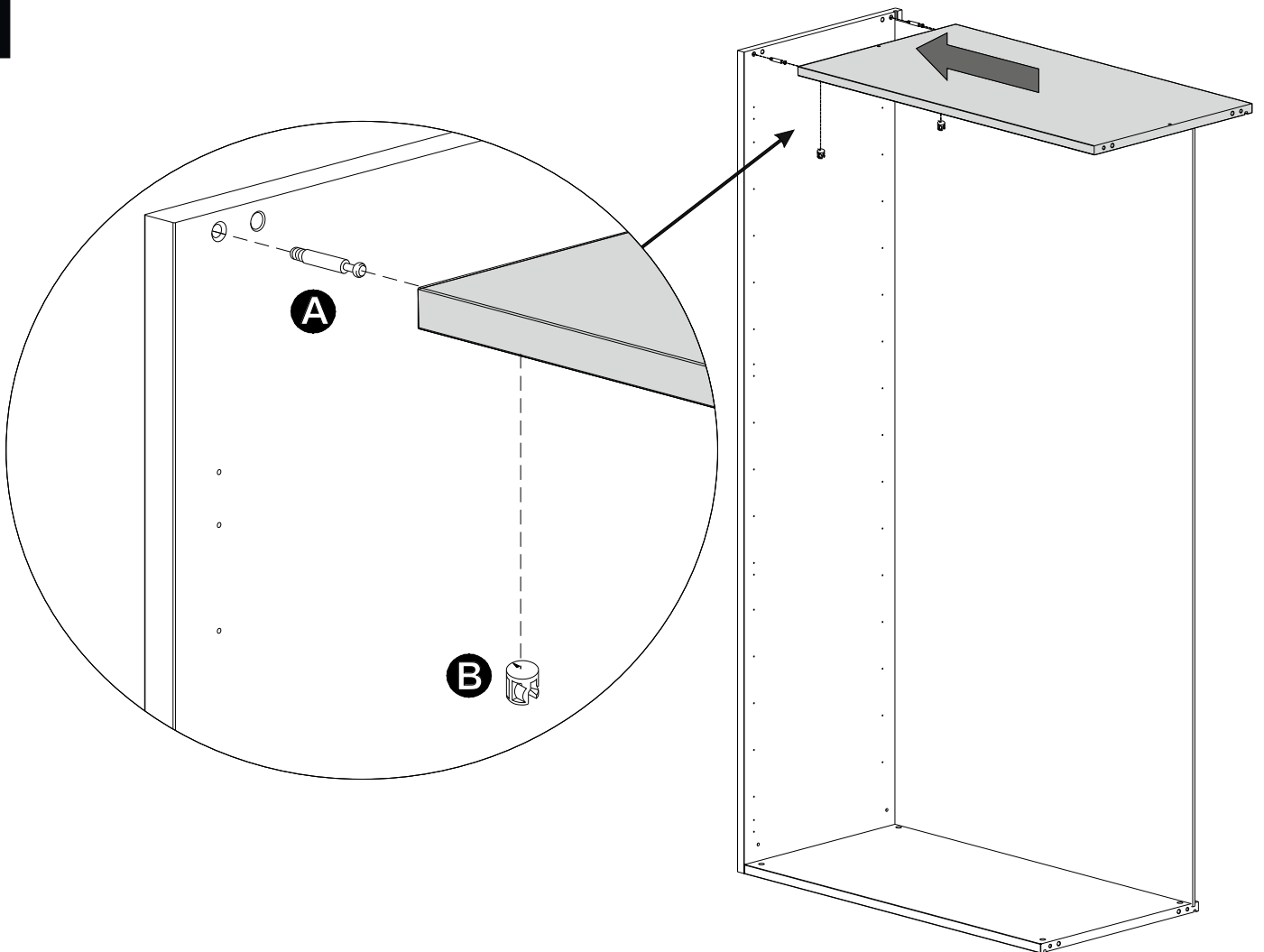
ARMADI - WARDROBE



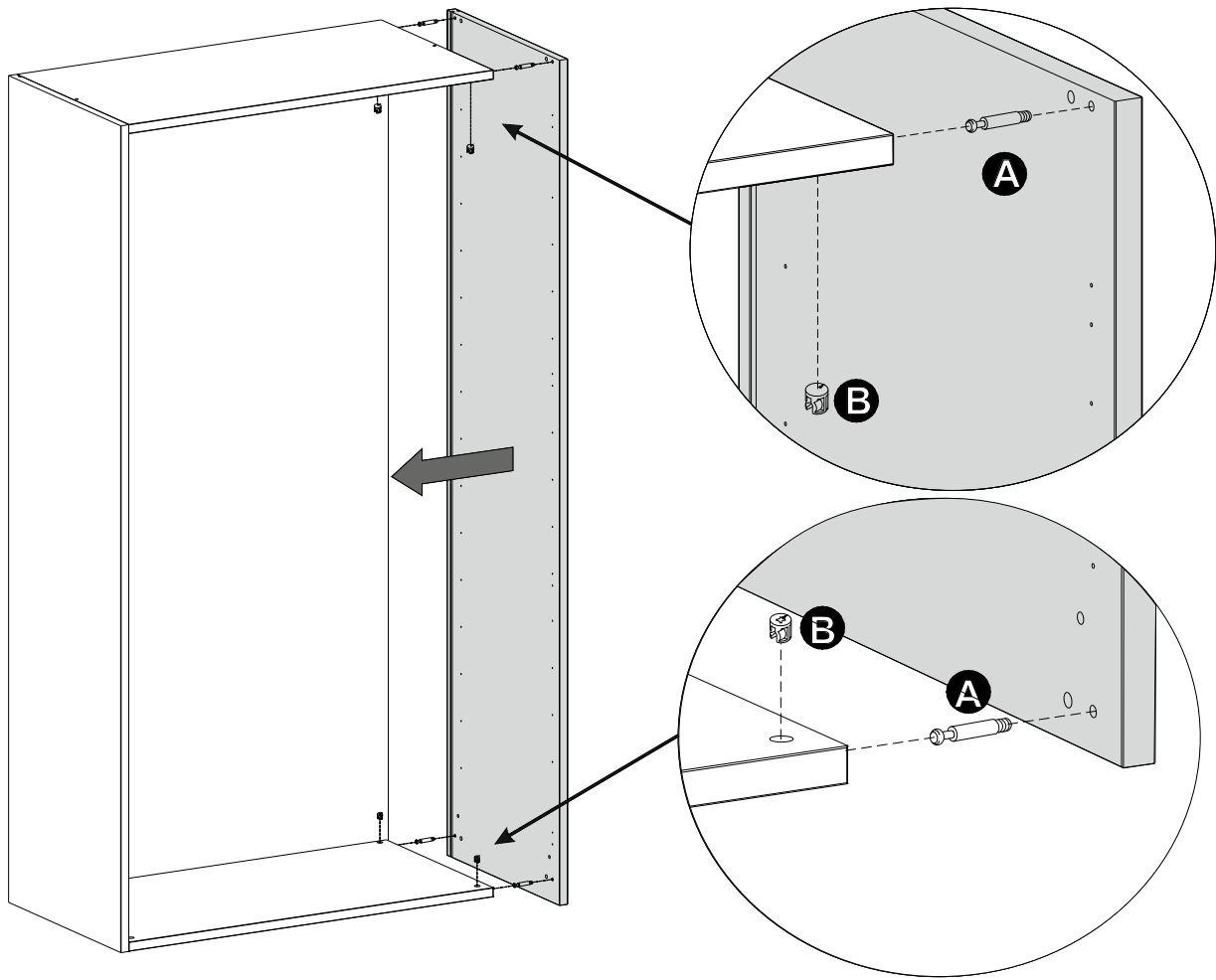
2



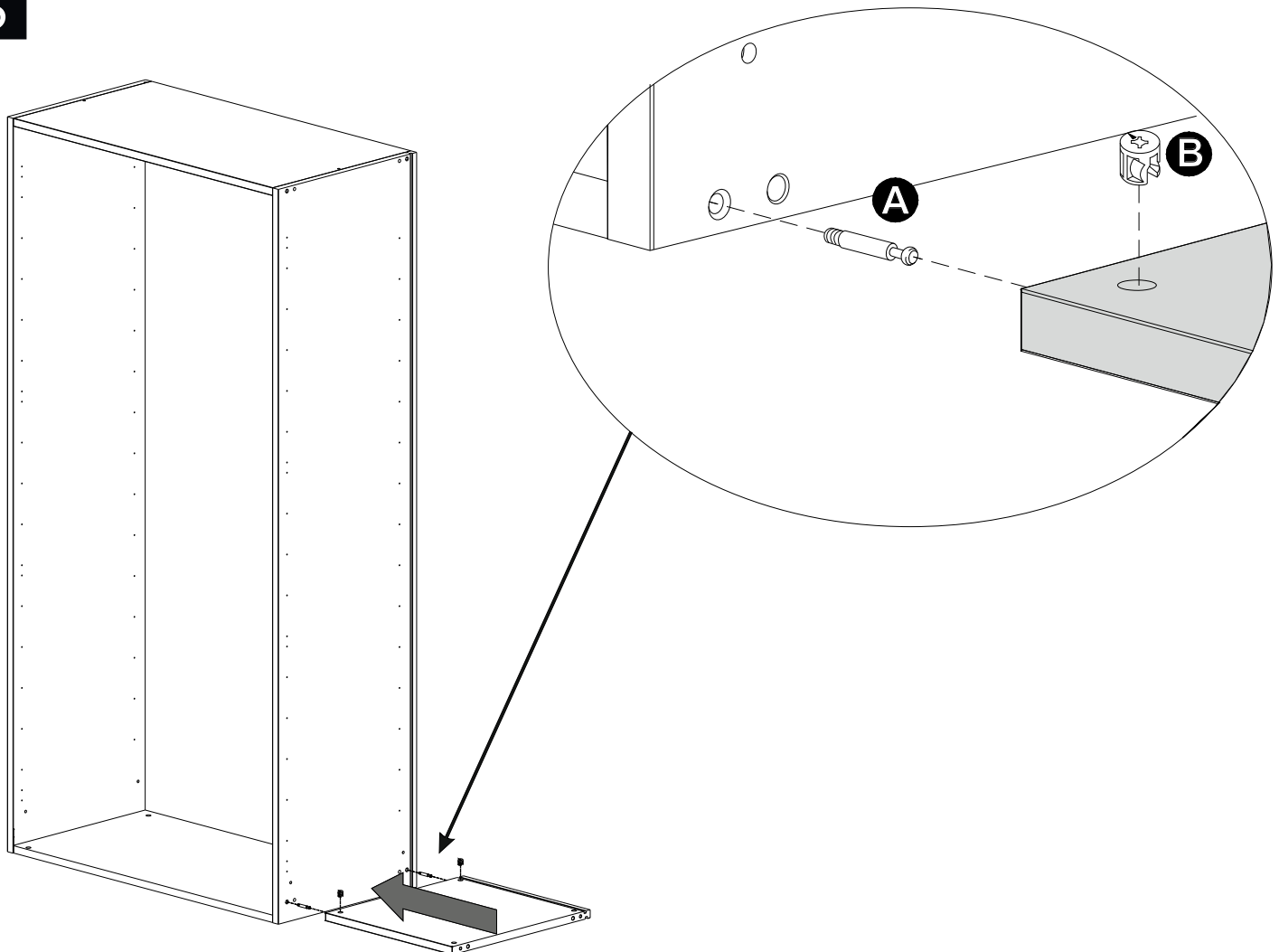
3



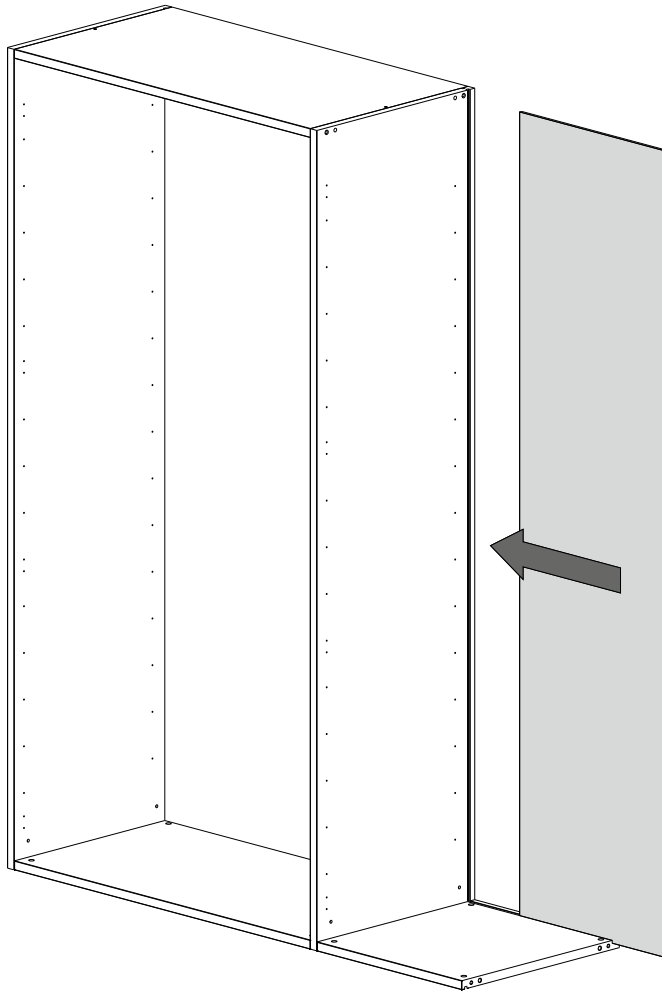
4



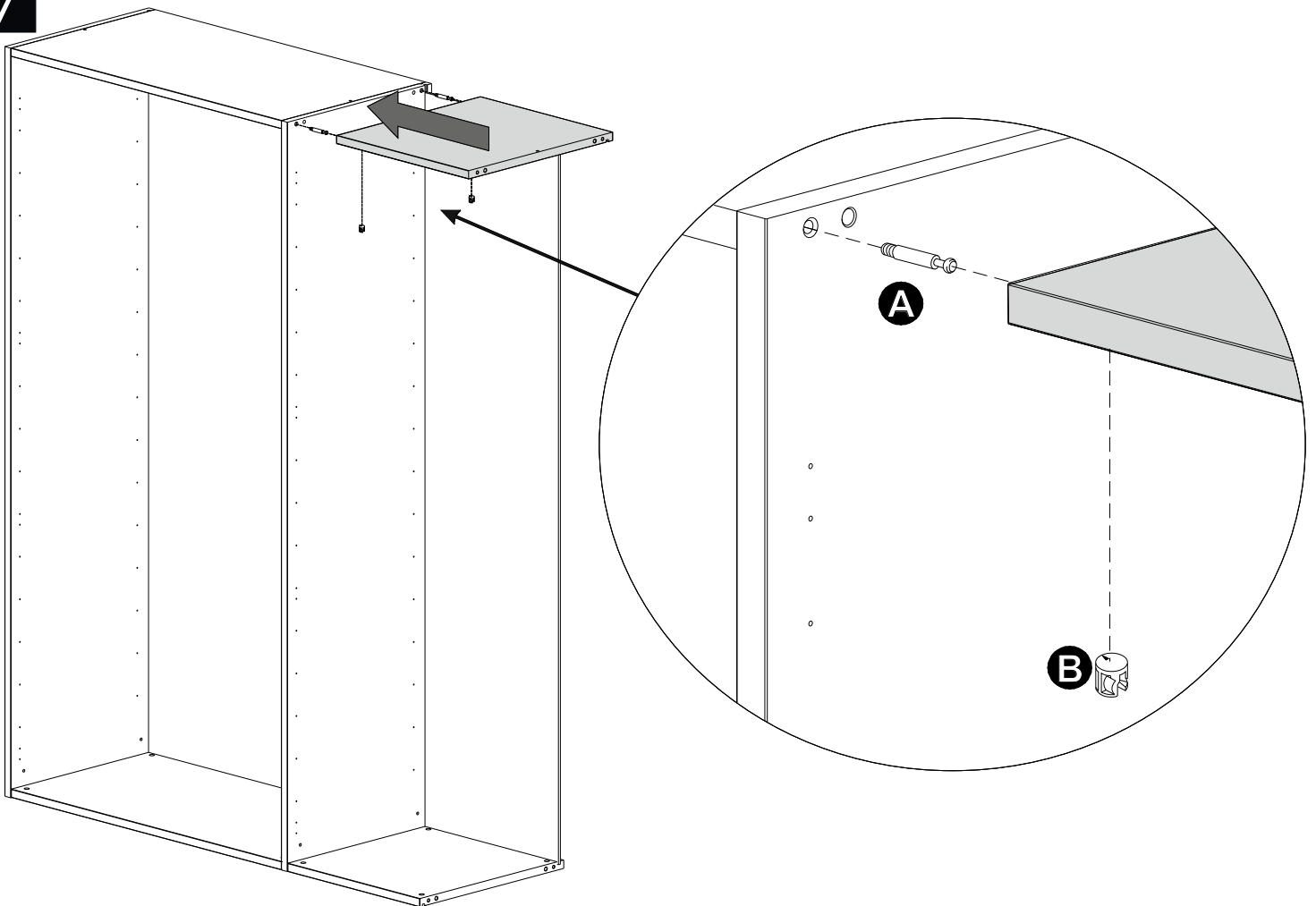
5



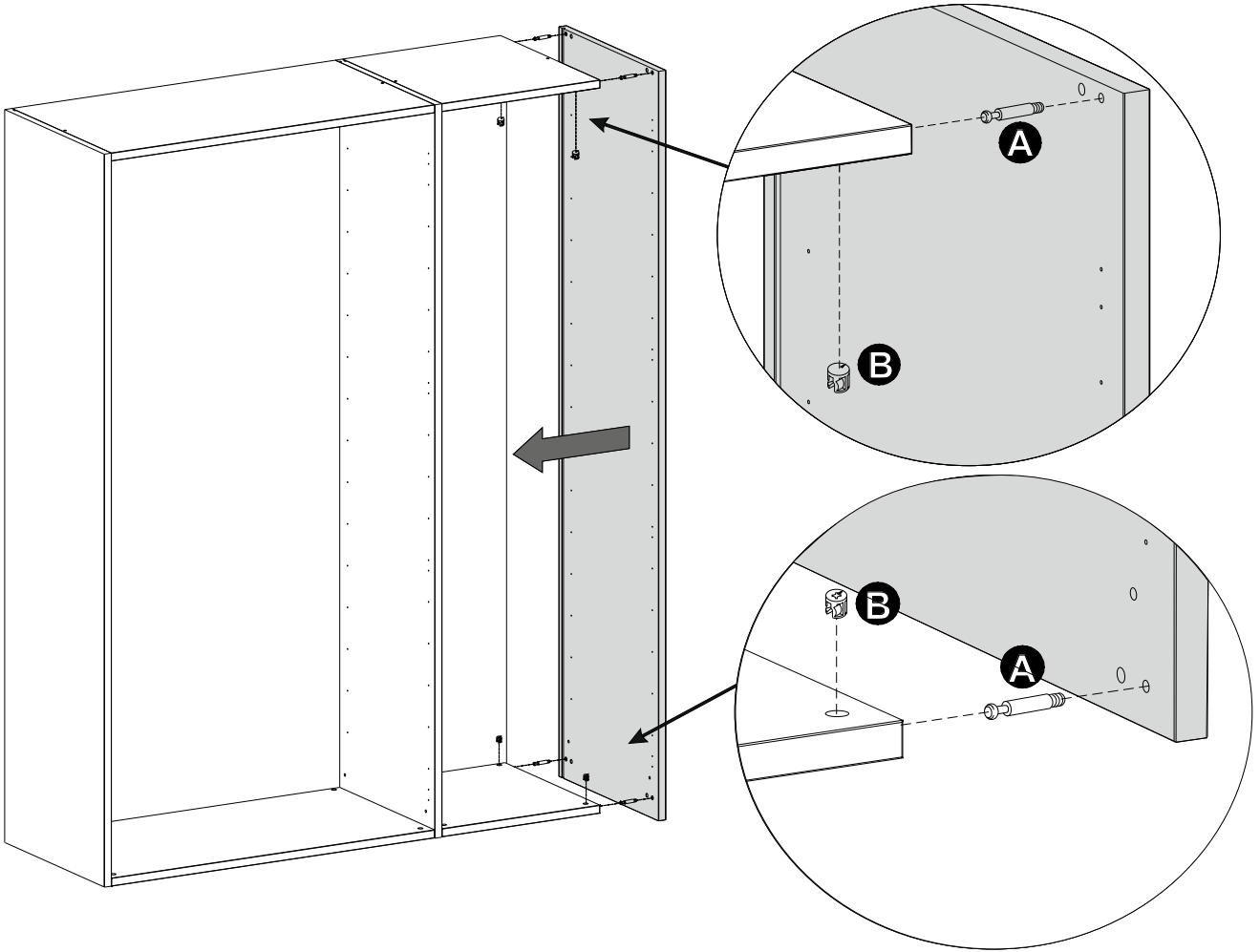
6



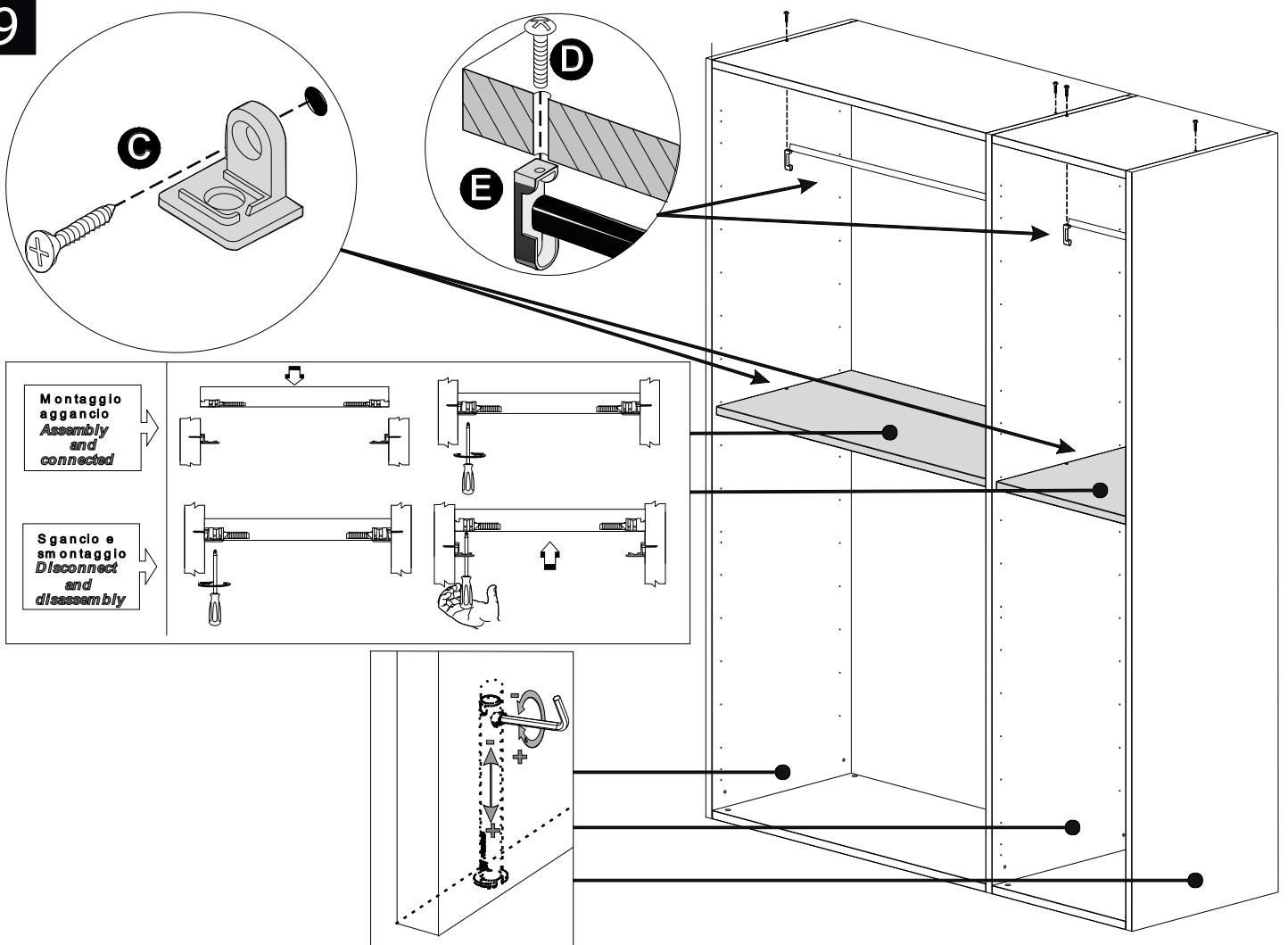
7



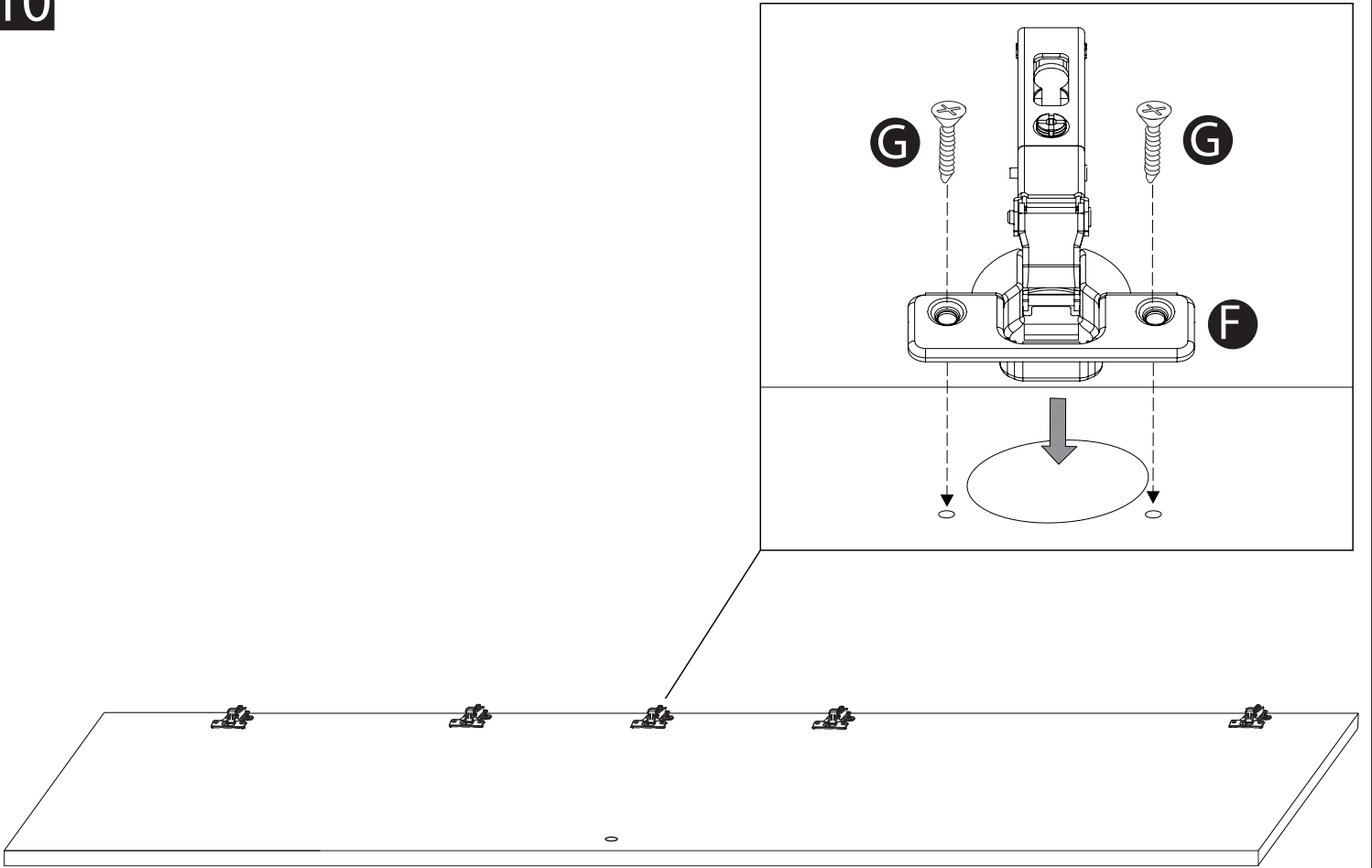
8



9

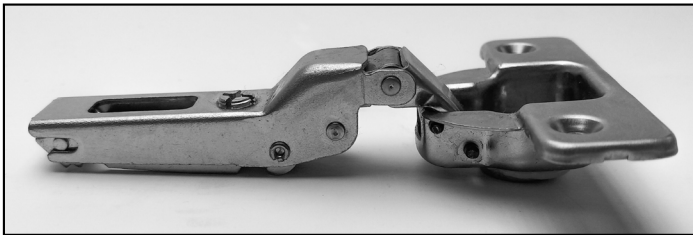


10

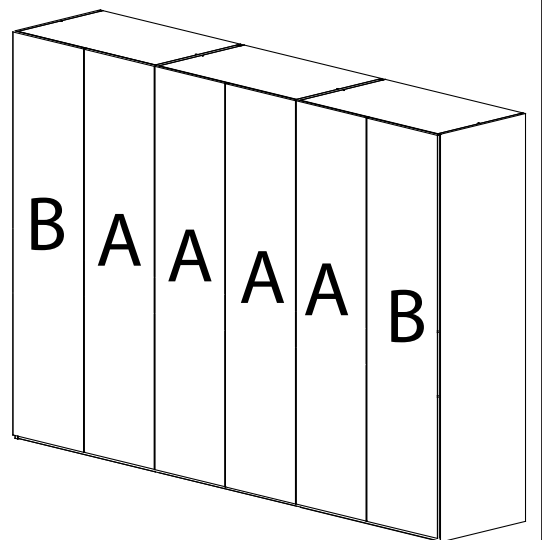
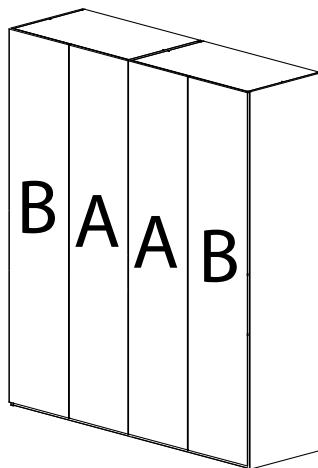
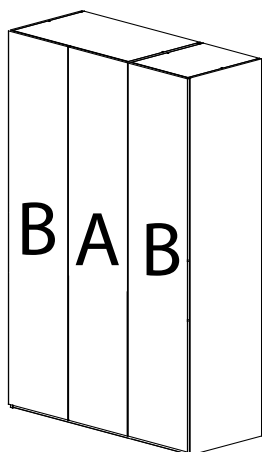
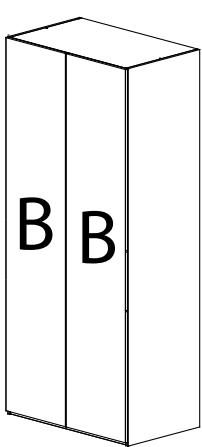
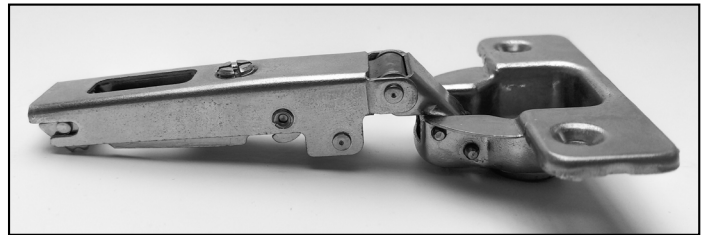


11

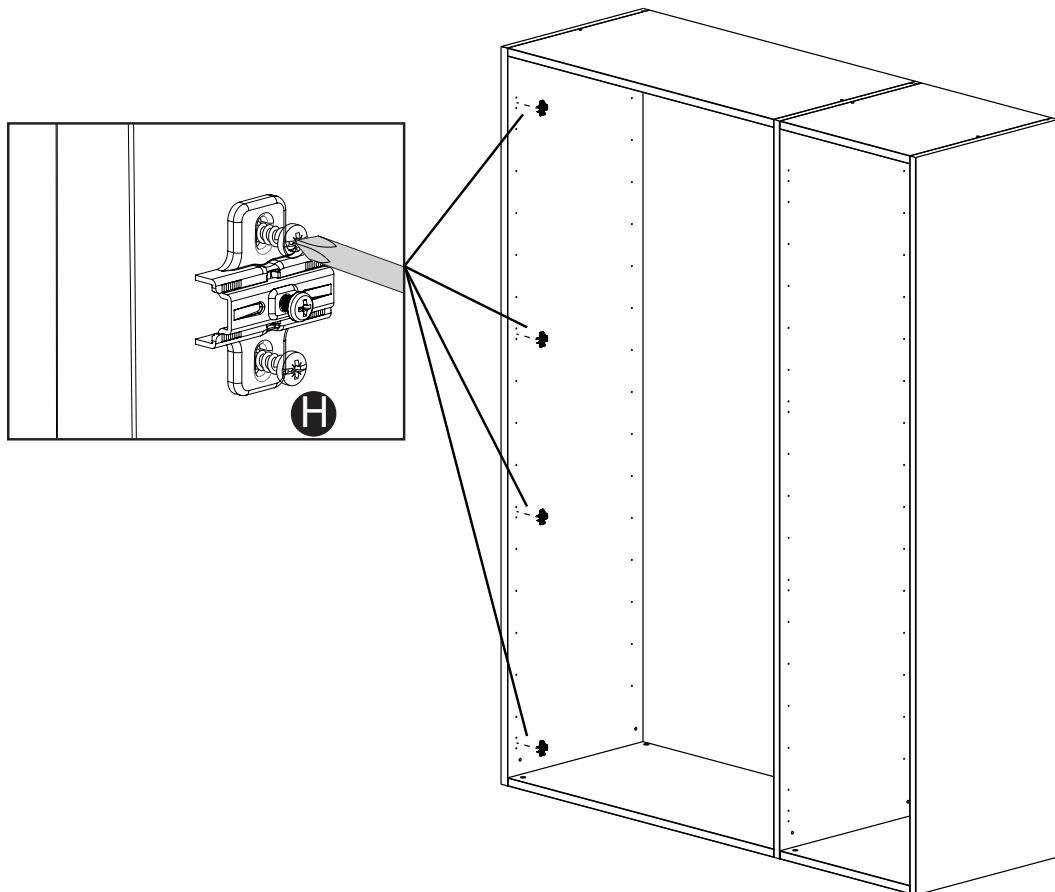
A



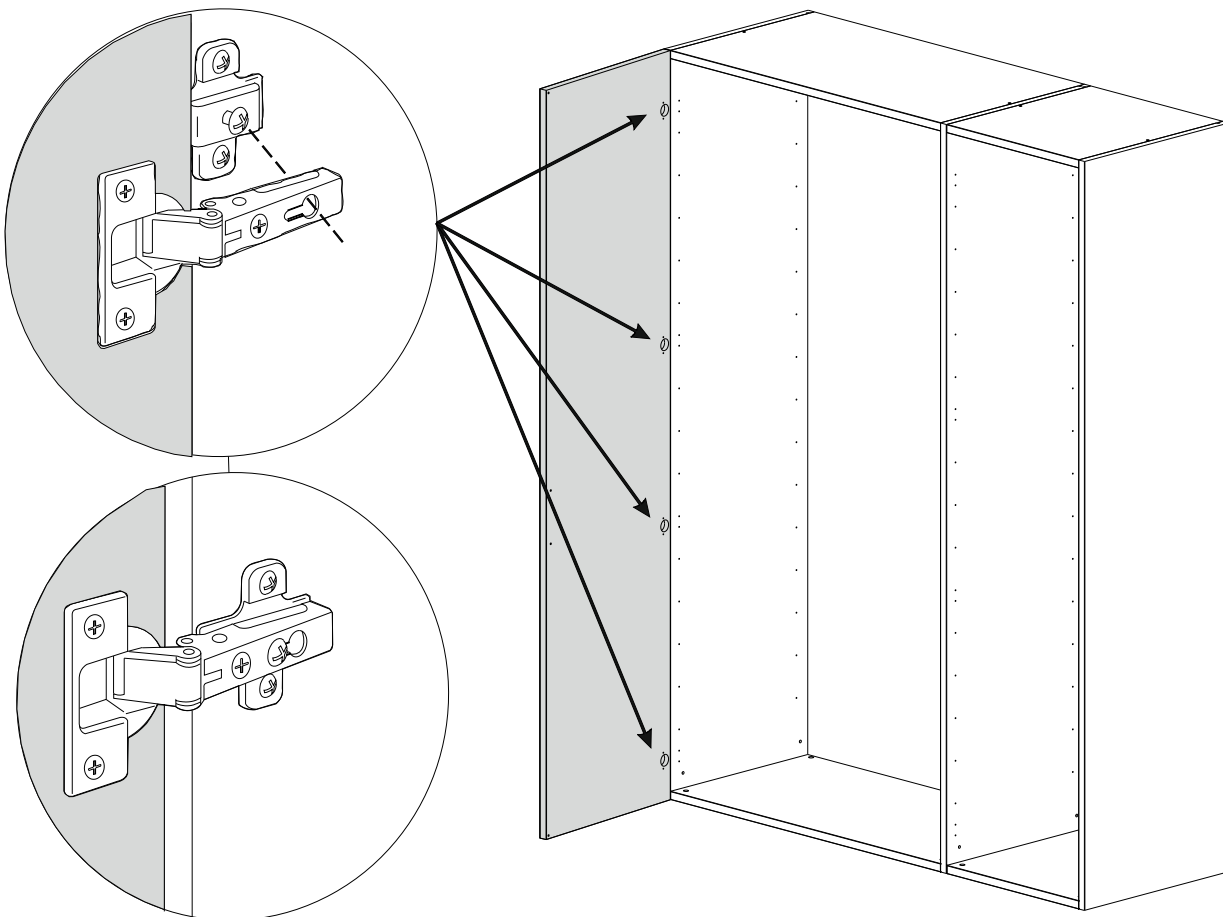
B

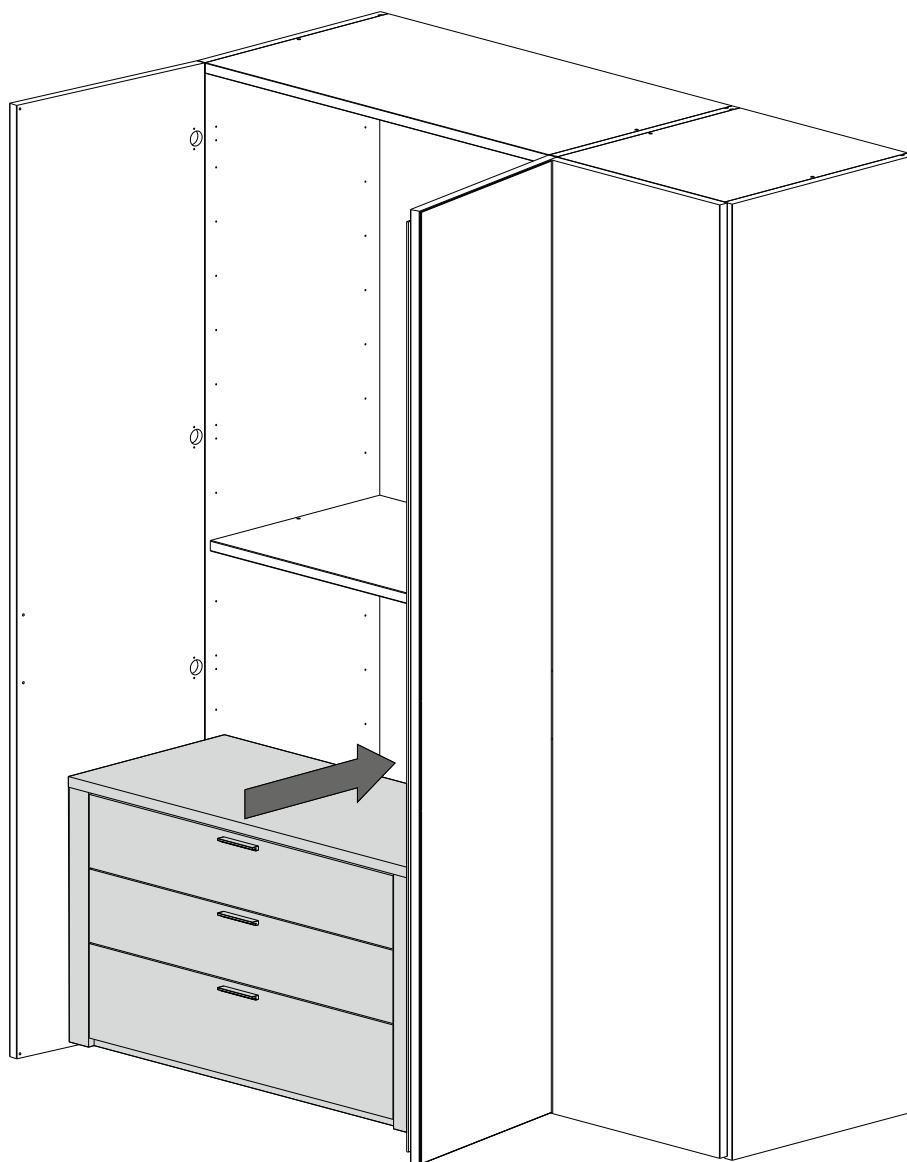


12



13





MONTAGGIO AMMORTIZZATORI - DAMPERS ASSEMBLY



Positive Regulation:
 Turning the screw towards the + sign, there will be an increased braking effect.
 The hardware is more protruding



Negative Regulation:
 Turning the screw towards the - sign, there will be a decreased braking effect.
 The hardware is less protruding