



44 National Road  
Edison, NJ 08817  
[www.jnmfurniture.biz](http://www.jnmfurniture.biz)



SKU: 17685

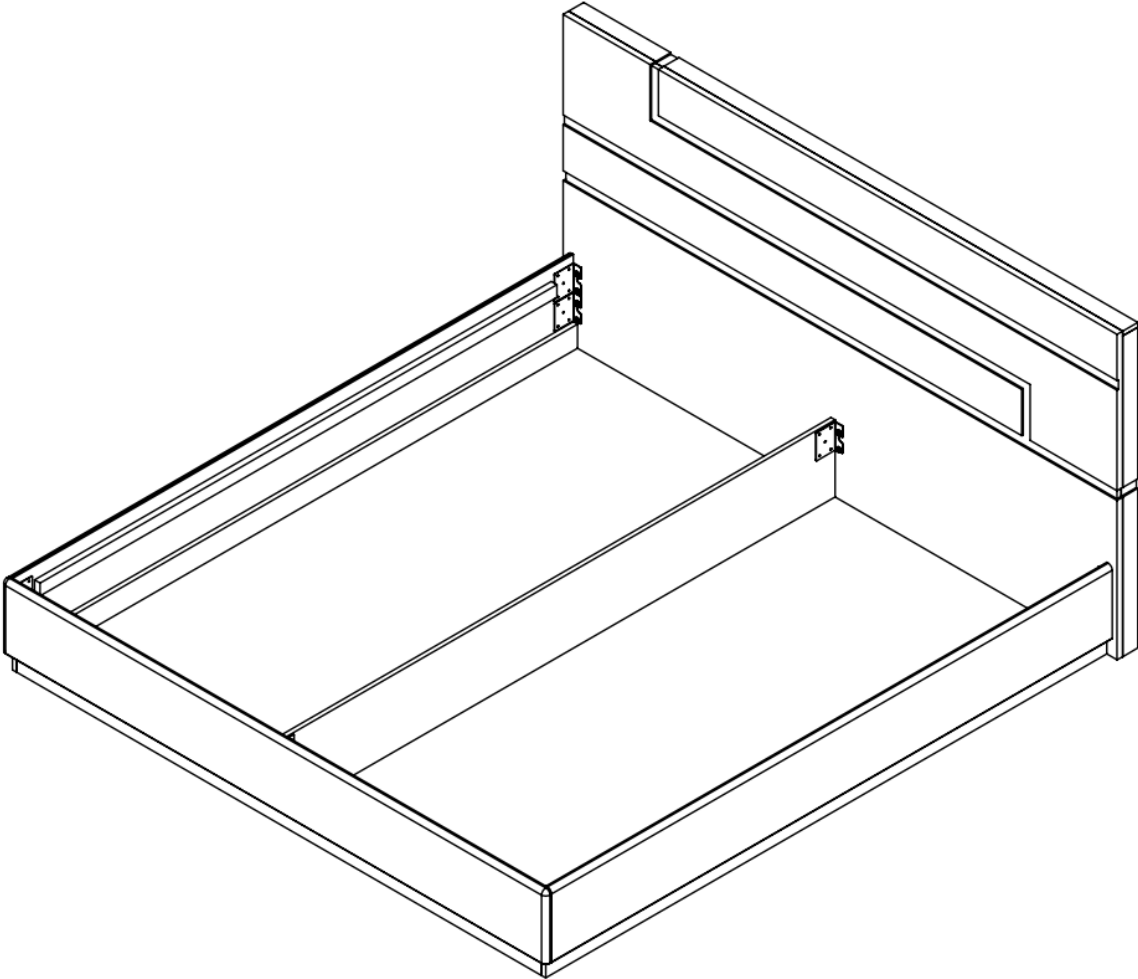
## Lucca Bedroom

Lucca Bedroom by J&M Furniture offers unique design and outlook of the modern bedroom. Beautifully complemented with crystals, this black lacquered finish set will enhance the look of bedrooms of different sizes and colors. Whether choosing the entire set, its individual platform bed, or any of the case goods, you can rest assured that this quality furniture is meant to last. Our case goods are equipped with full extension glides.

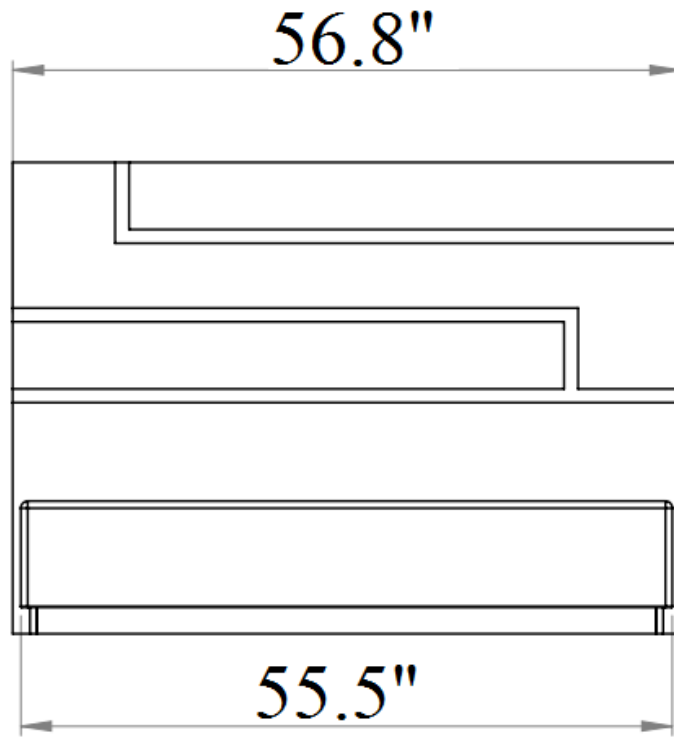
SKU: 17685

Detailed Dimensions

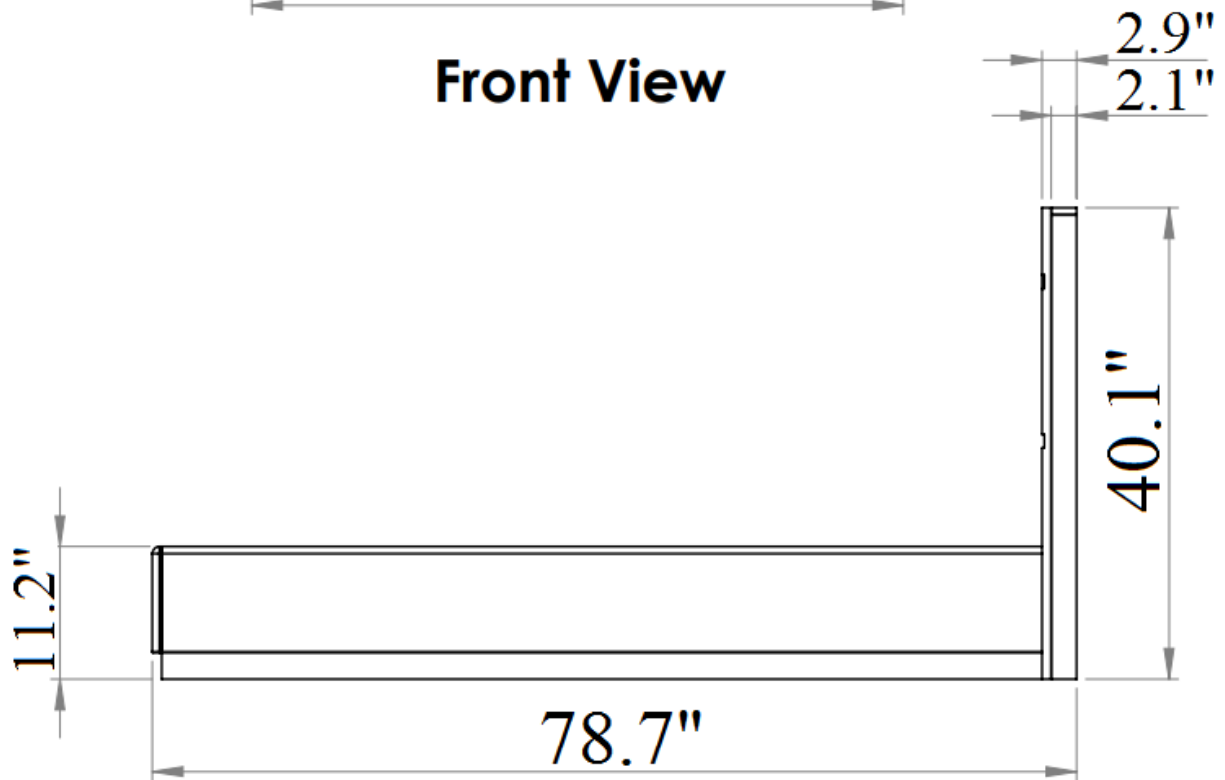
Knotch Bedroom



# Full Bed

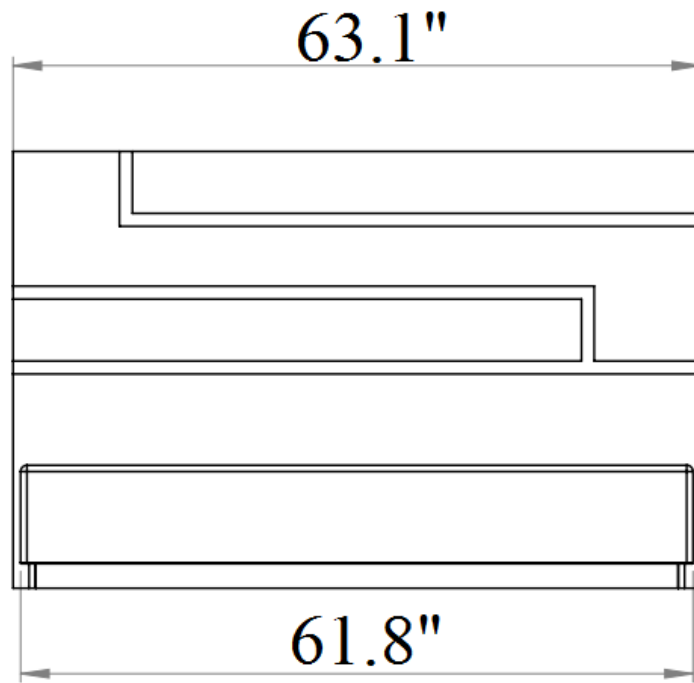


**Front View**

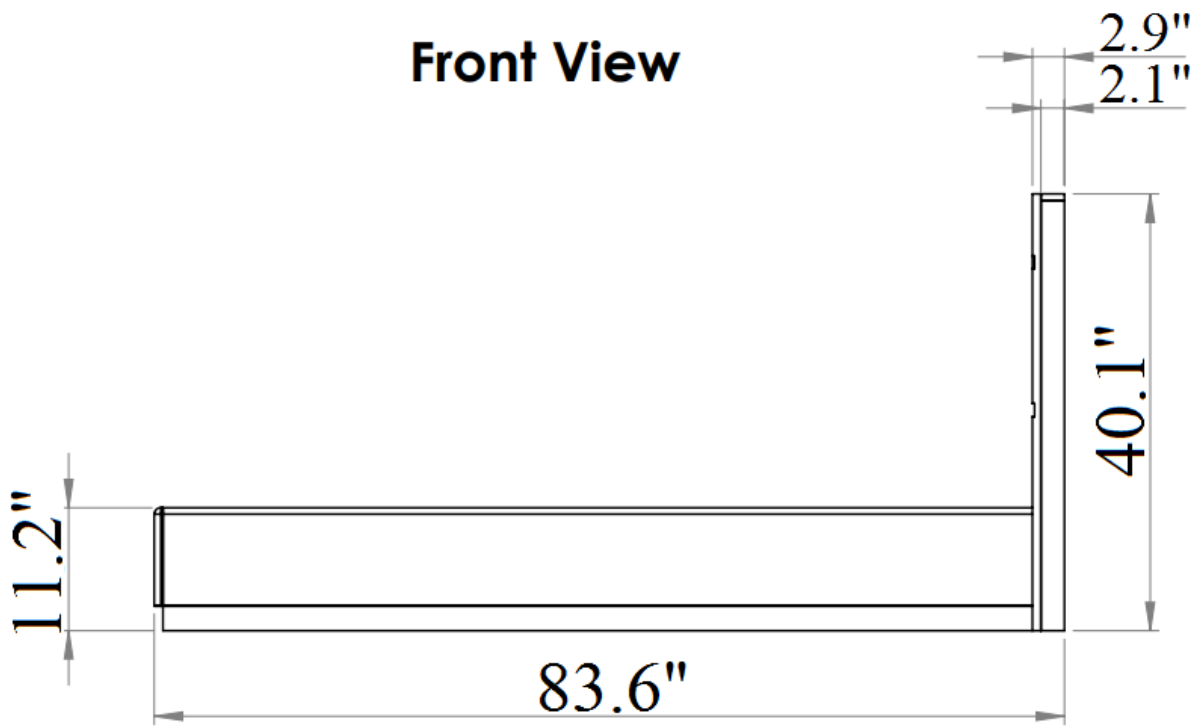


**Side View**

# Queen Size



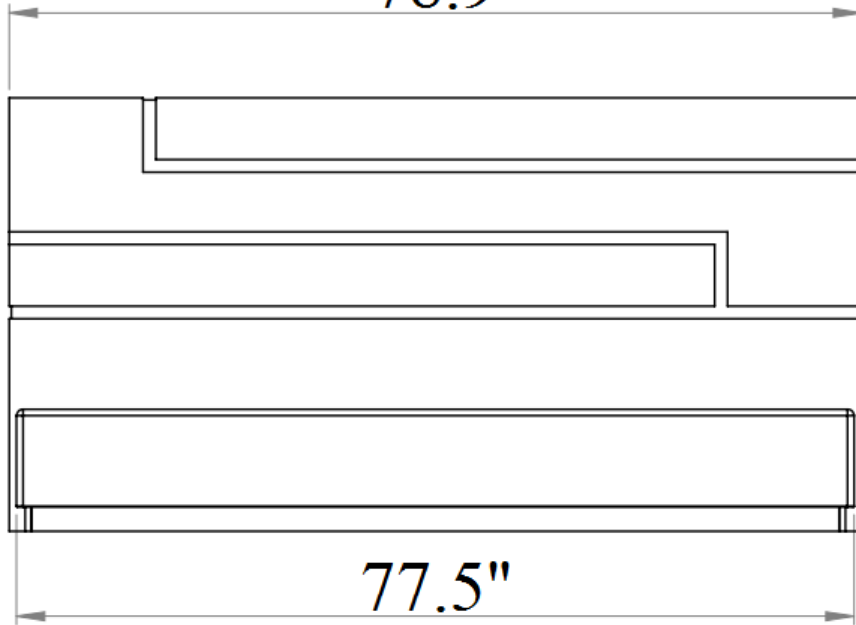
**Front View**



**Side View**

# King Size

78.9"



**Front View**

2.9"

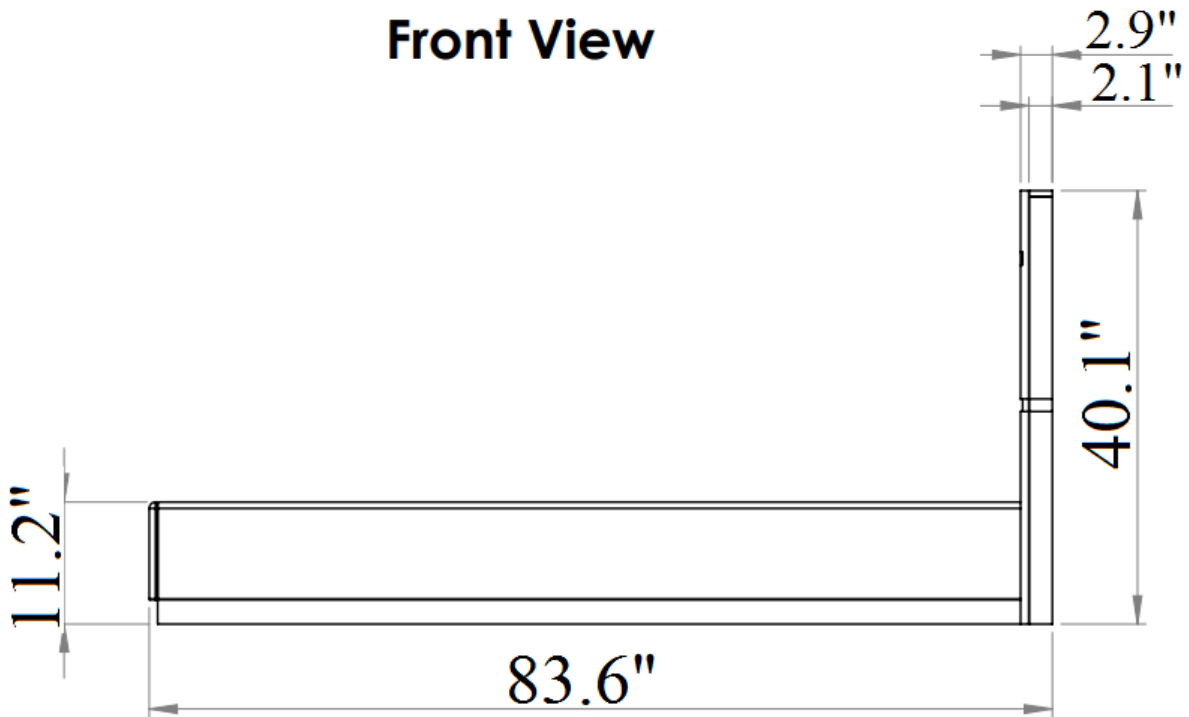
2.1"

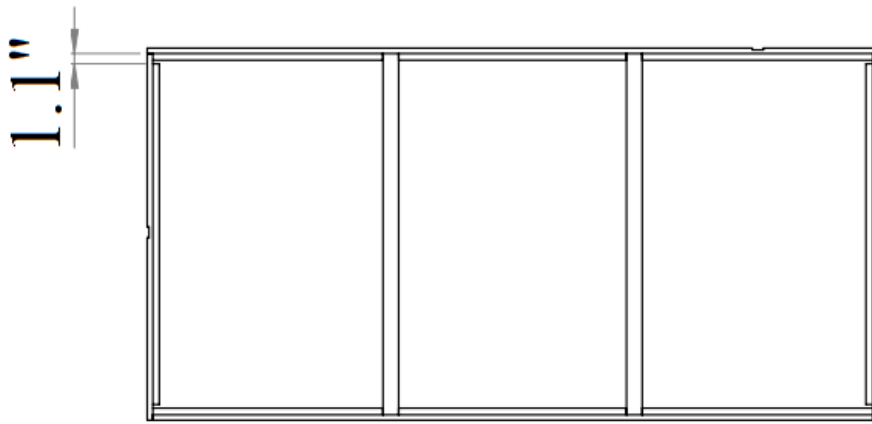
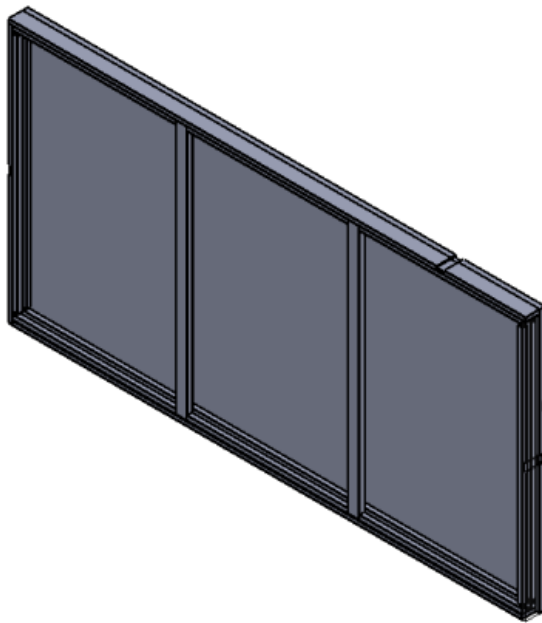
40.1"

11.2"

83.6"

**Side View**





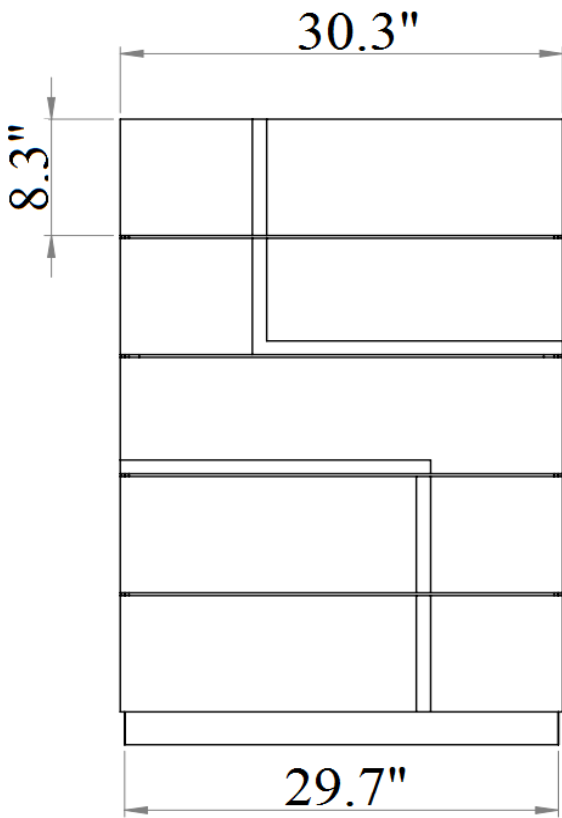
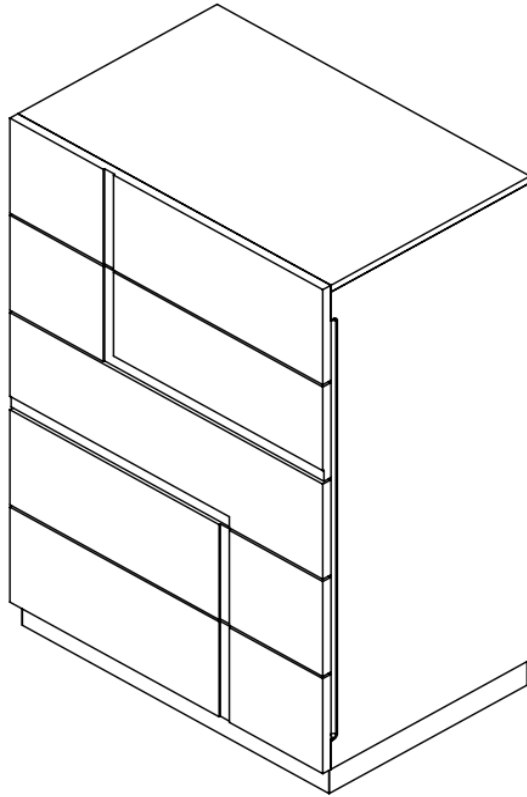
1.1"

**Back View**

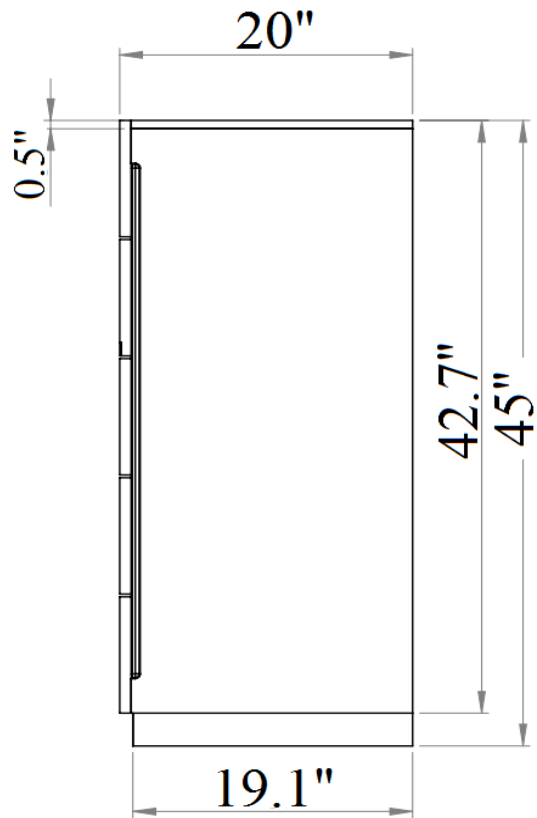


**Side View**

# Chest

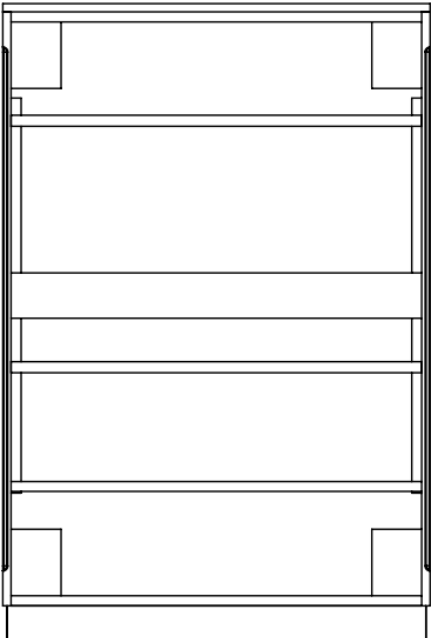
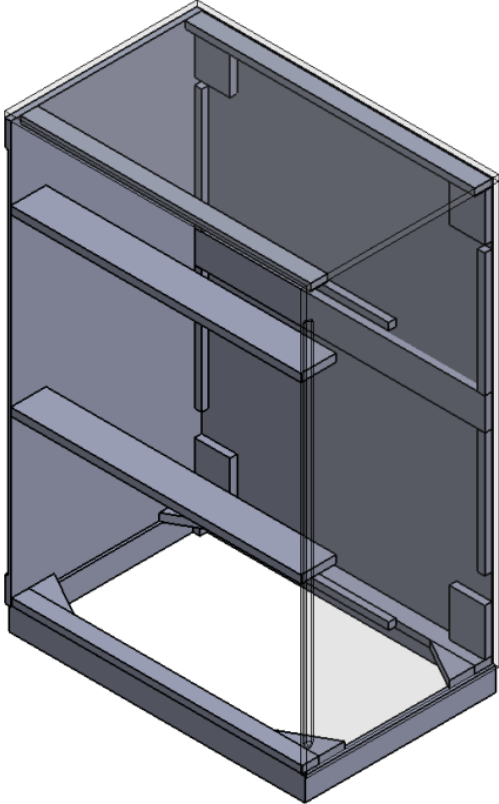


**Front View**

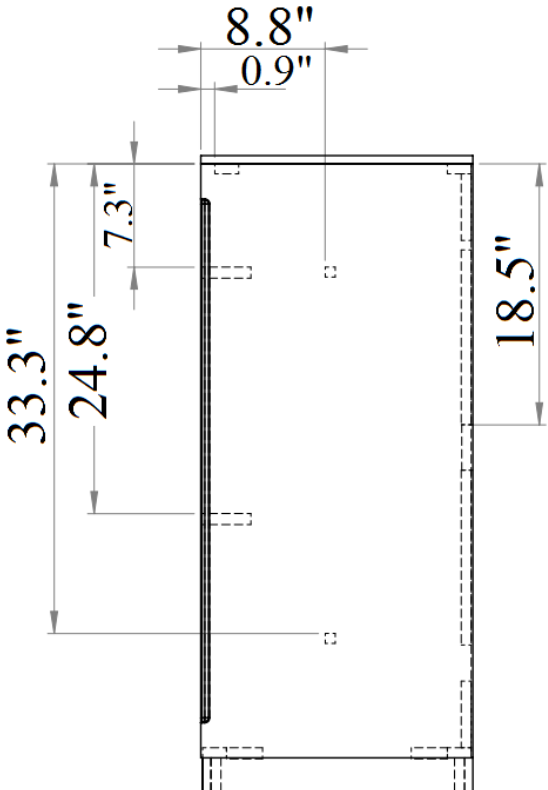


**Side View**

# Chest



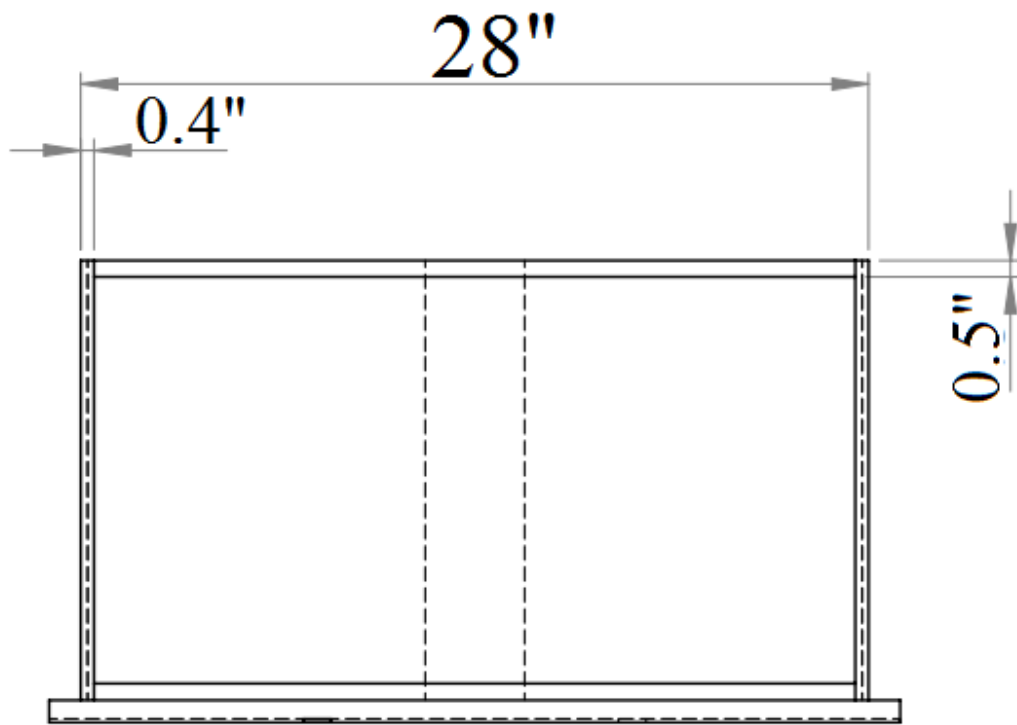
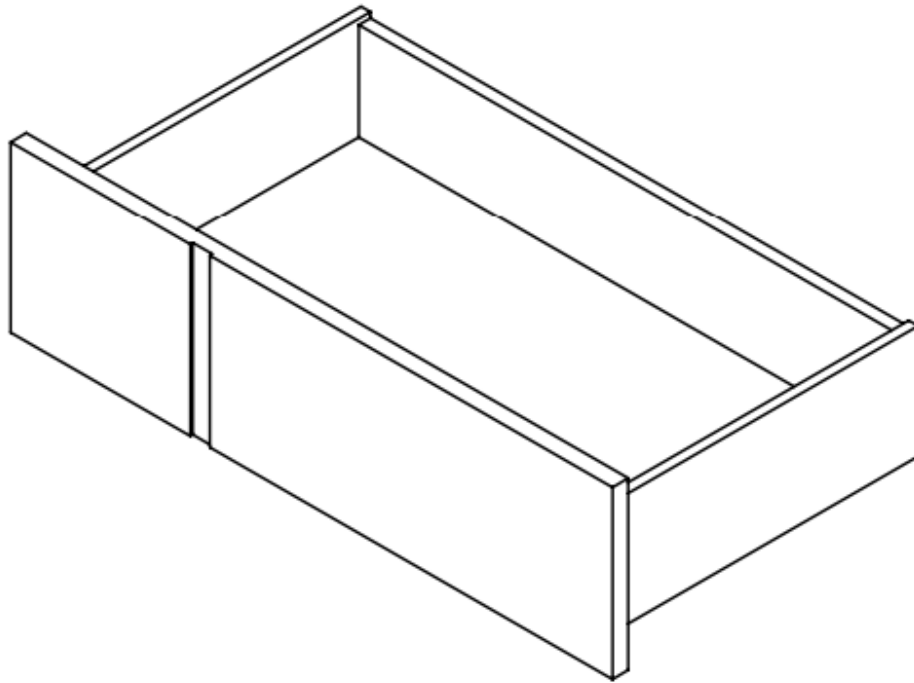
Front View



Side View

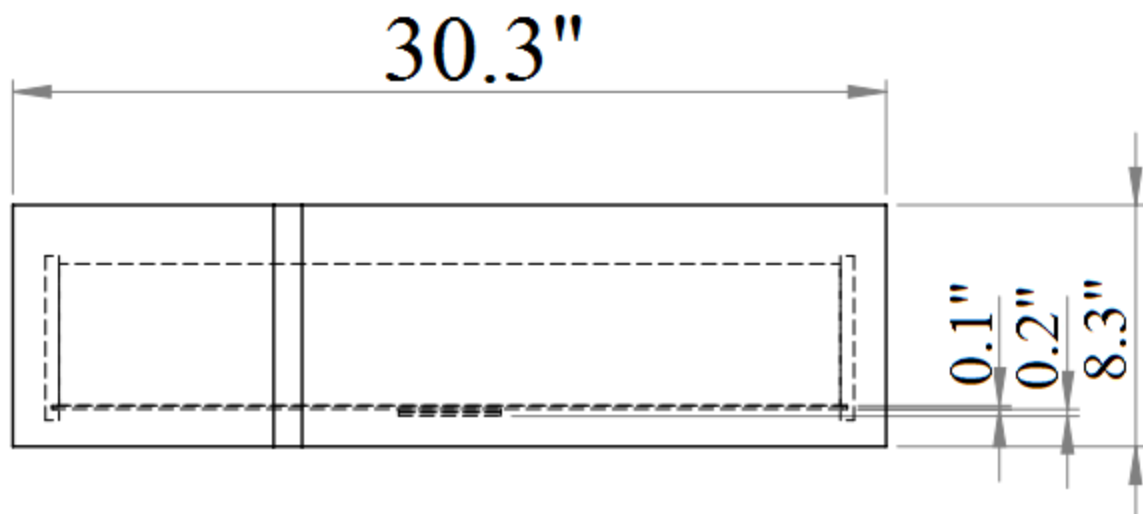


# Chest Drawer

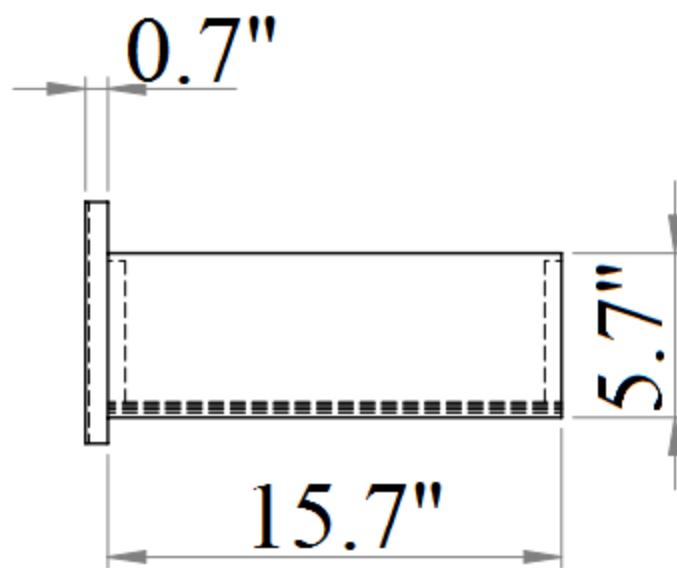


**Top View**

# Chest Drawer

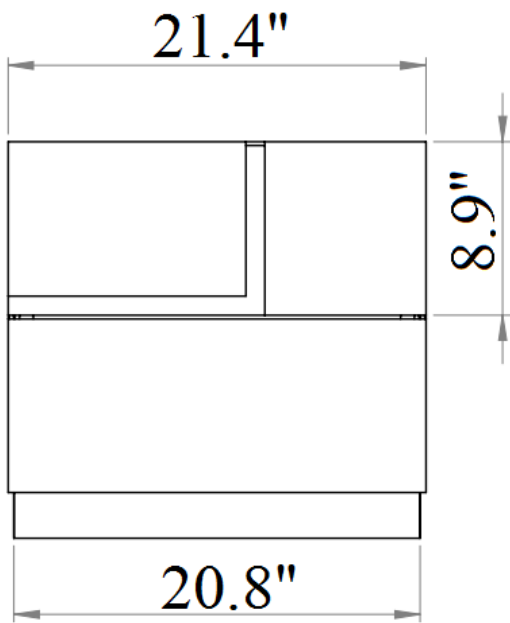
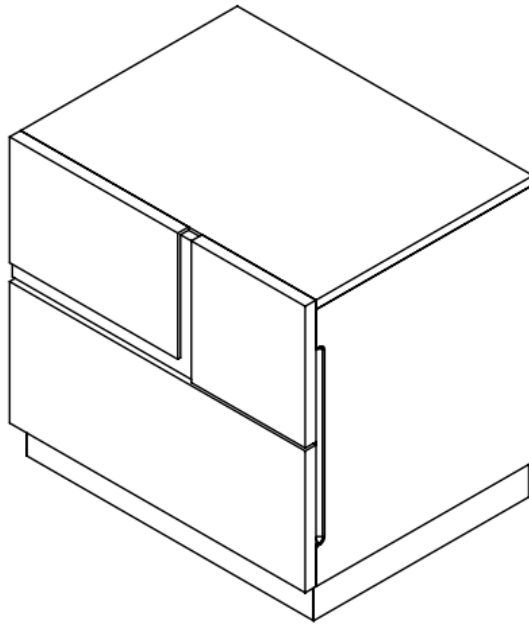


**Front View**

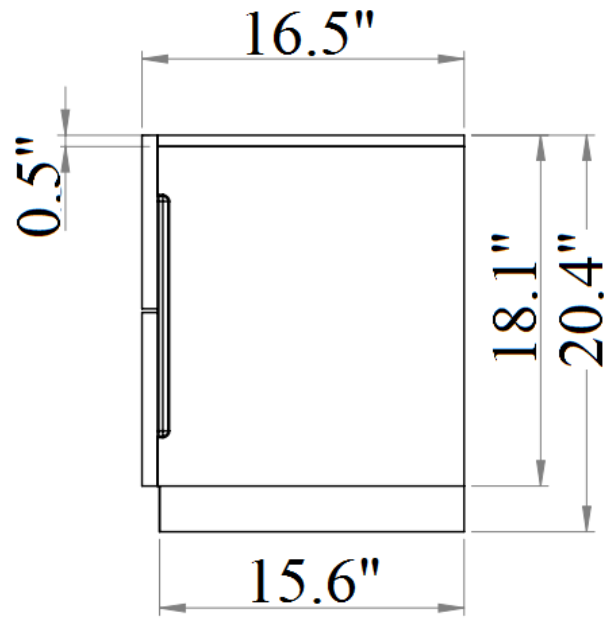


**Side View**

# Night Stand

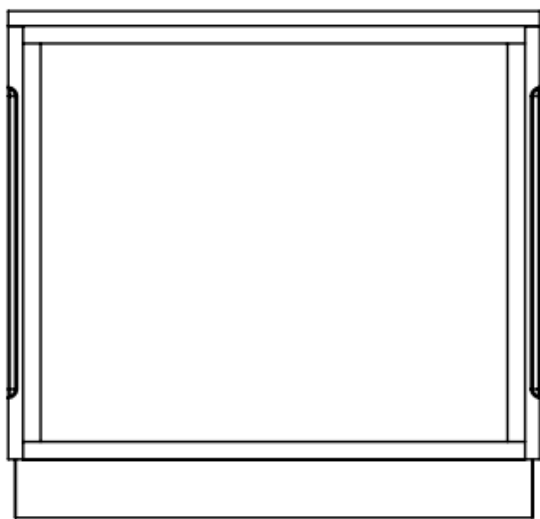
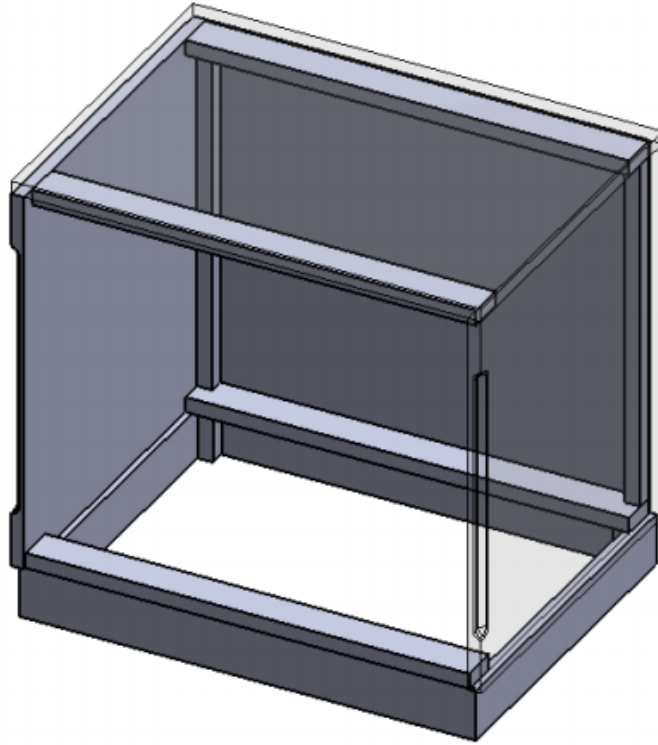


**Front View**

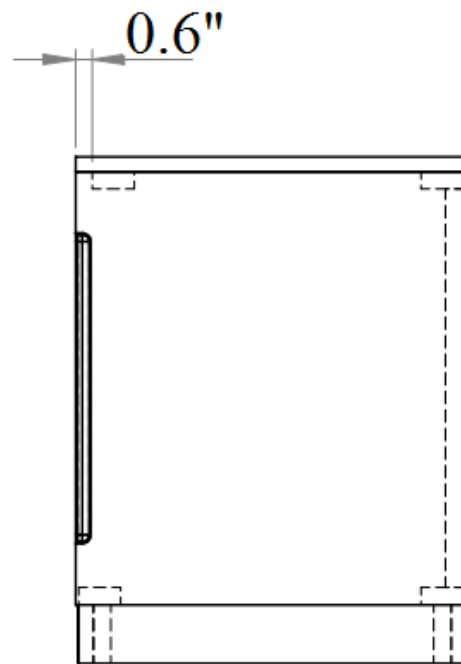


**Side View**

# Night Stand

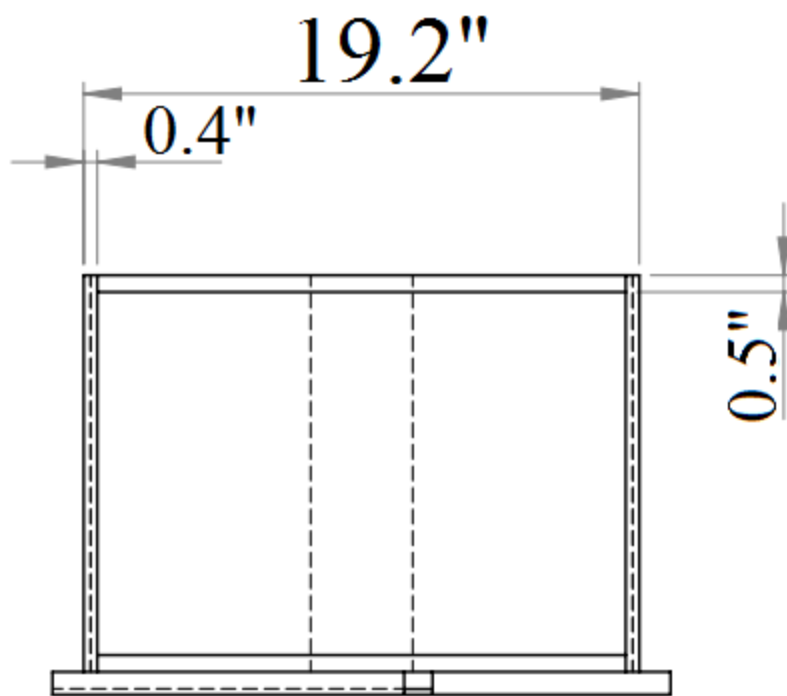
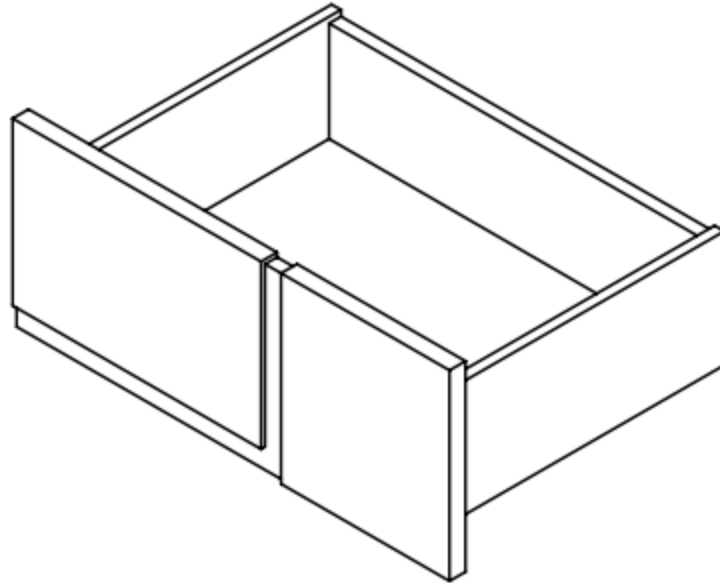


**Front View**



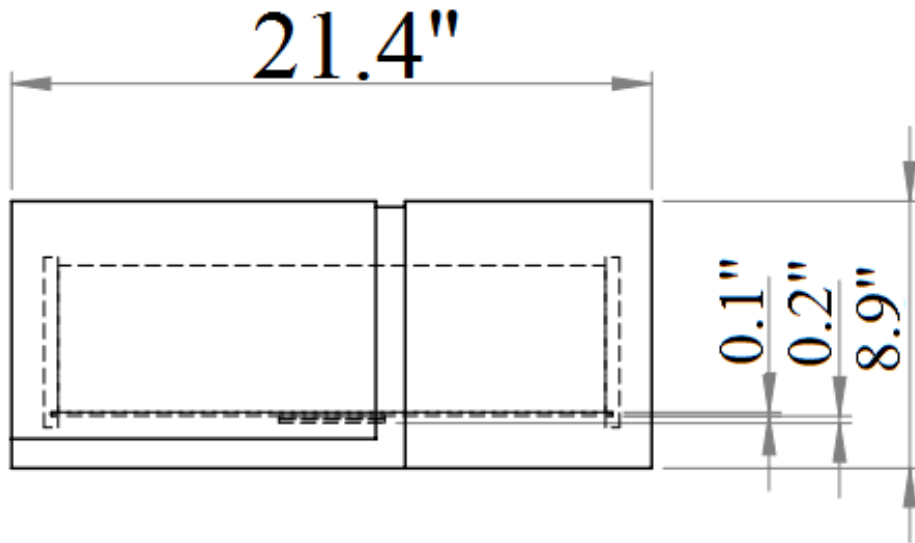
**Side View**

# Night Stand Drawer

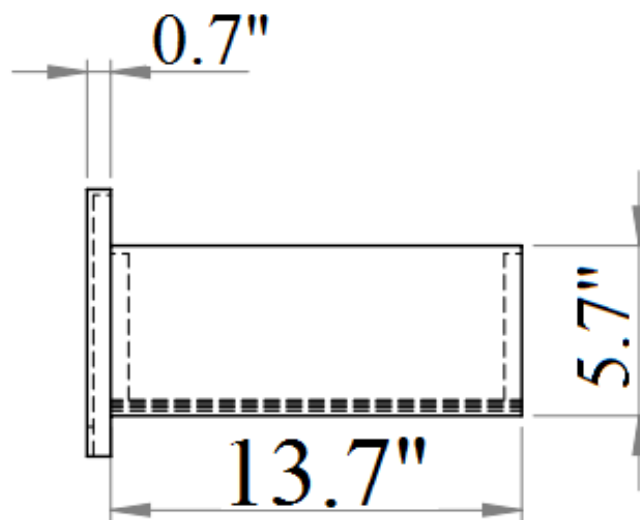


**Top View**

# Night Stand Drawer

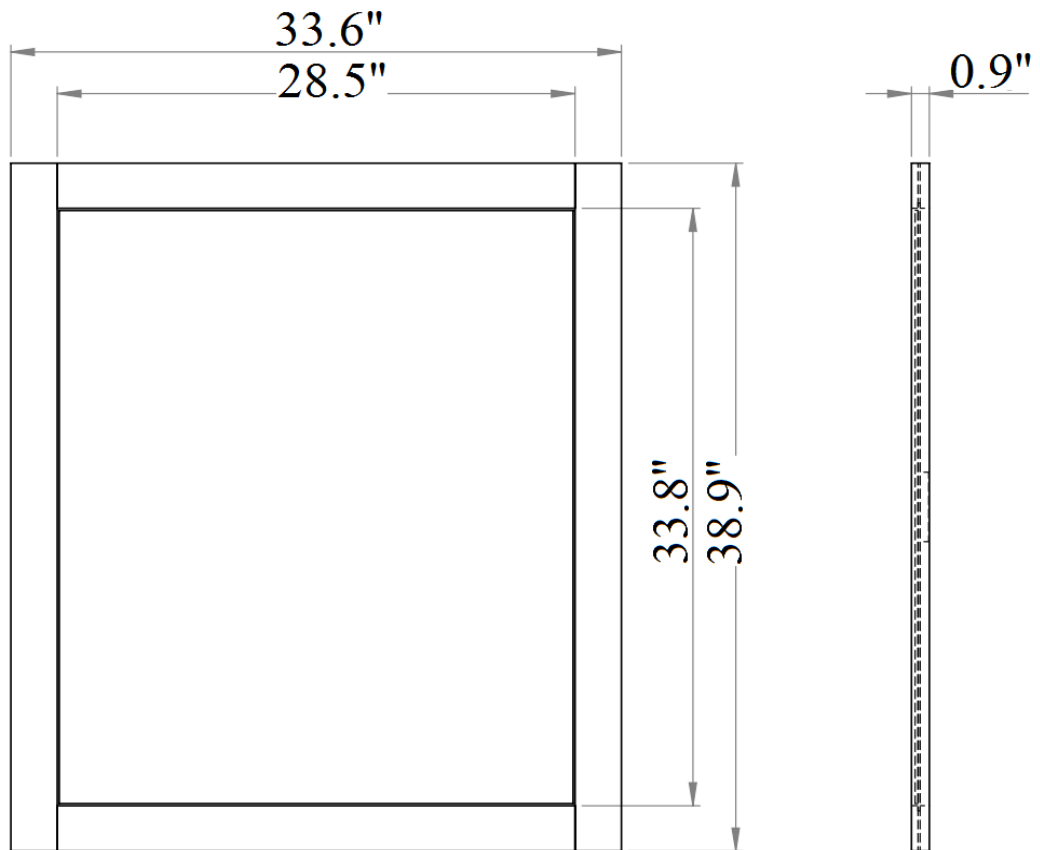
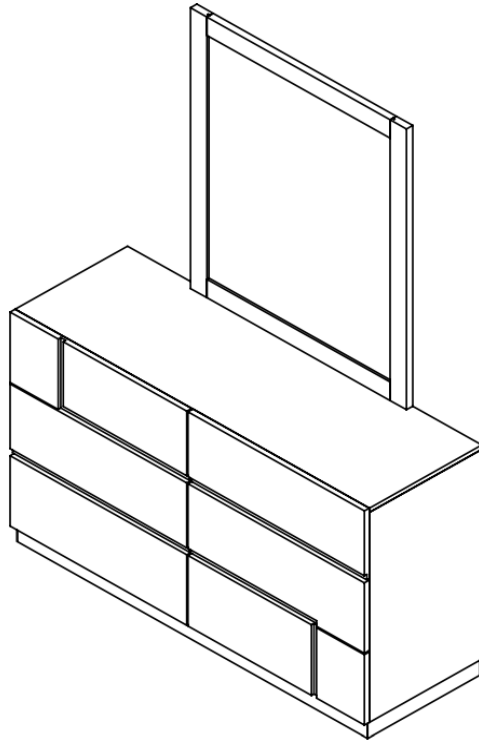


**Front View**

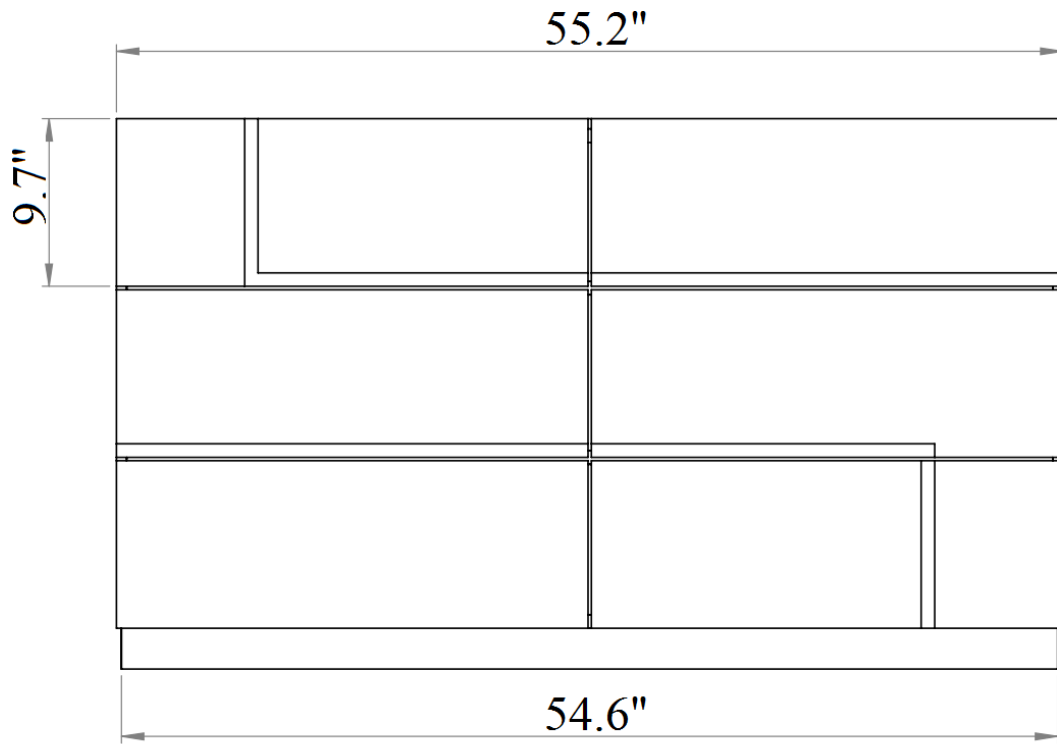


**Side View**

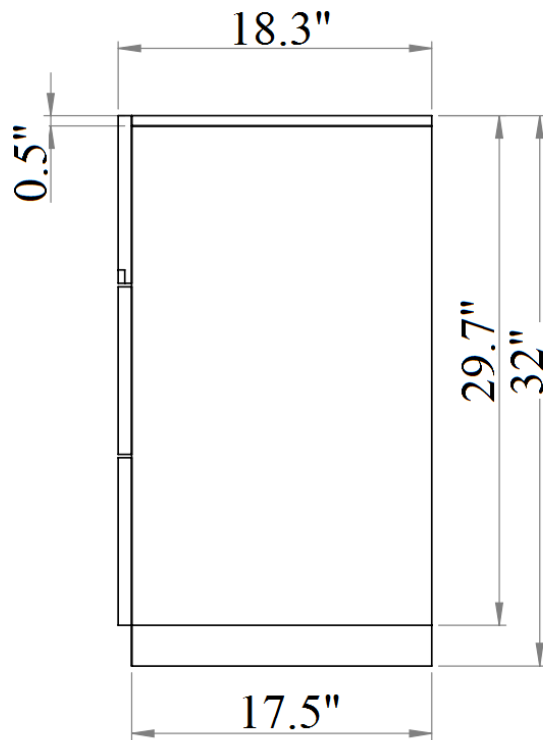
# Dresser & Mirror



# Dresser

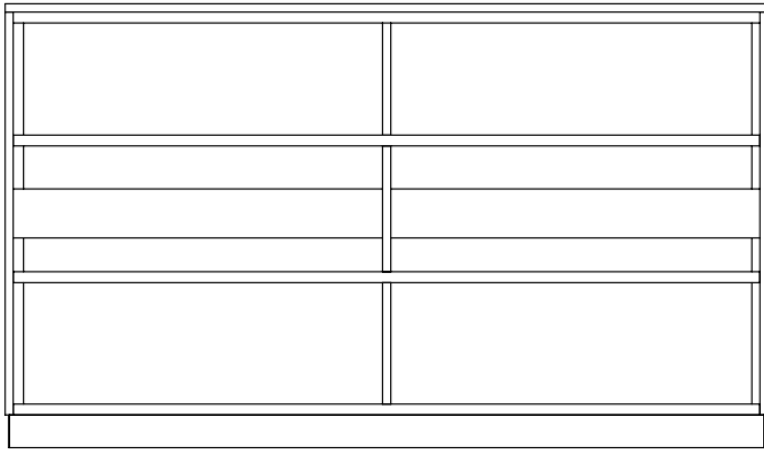
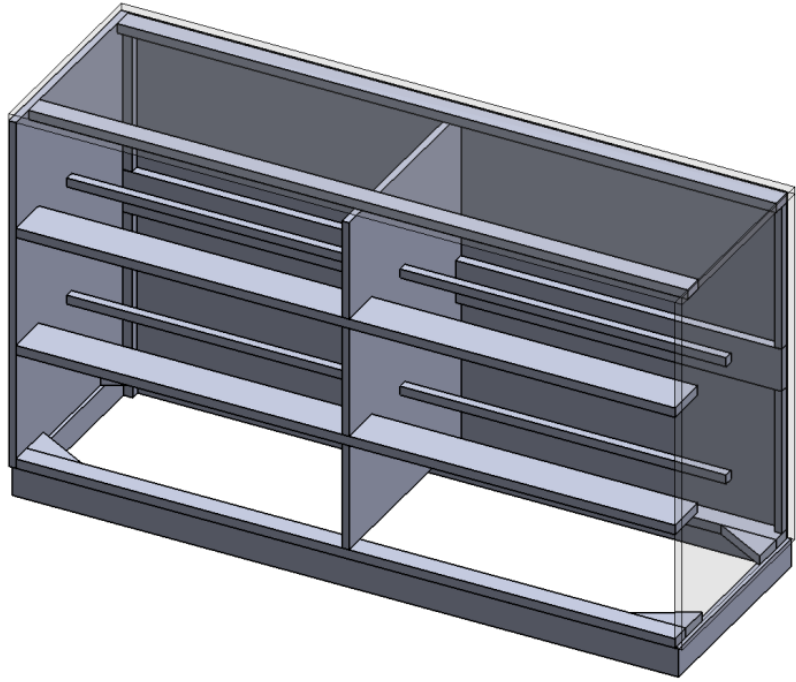


**Front View**

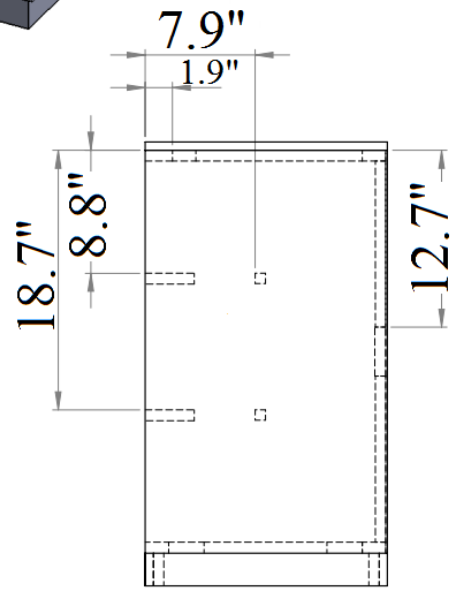


**Side View**



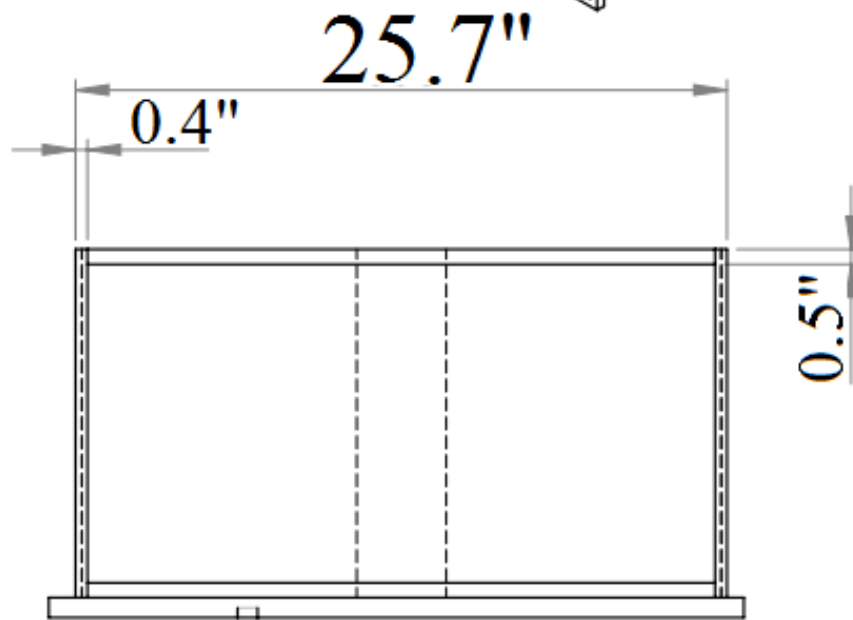
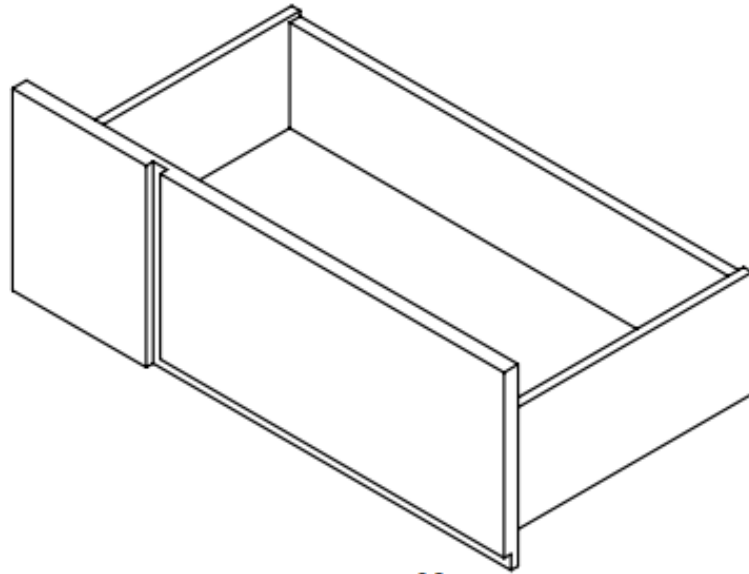


**Front View**



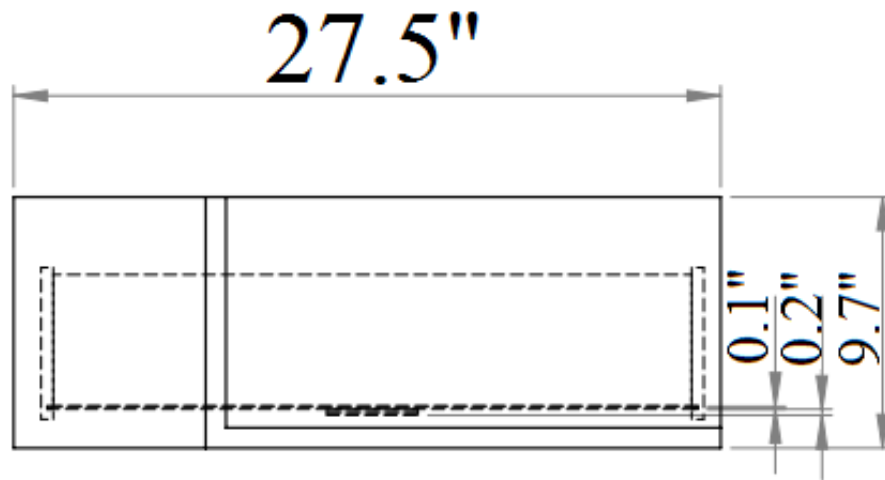
**Side View**

# Dresser Drawer

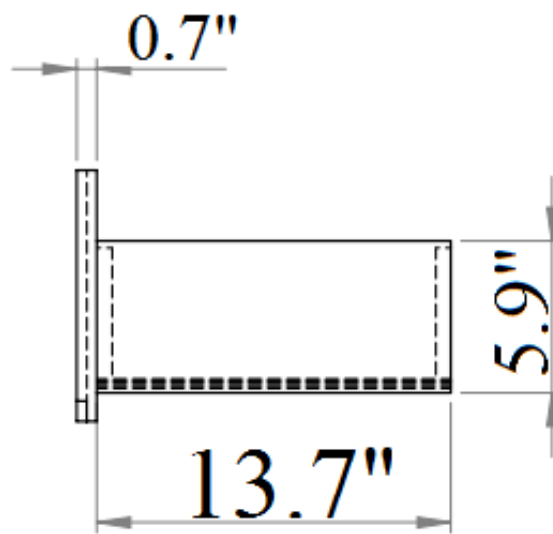


**Top View**

# Drawer Dresser



**Front View**



**Side View**

# Dresser & Mirror Assembly Instructions



Dresser



Mirror frame



Mirror supports (pre-assembled with truss head screw M4x32mm)

①



Hold down and place mirror frame on dressing table and align at the back of dresser.

2



Make sure mirror frame is at the center of dresser . Use measuring tape to ensure the mirror frame distant balanced.

3



Refer marking on mirror support and tighten all screws.

4



Assembled Dresser & Mirror

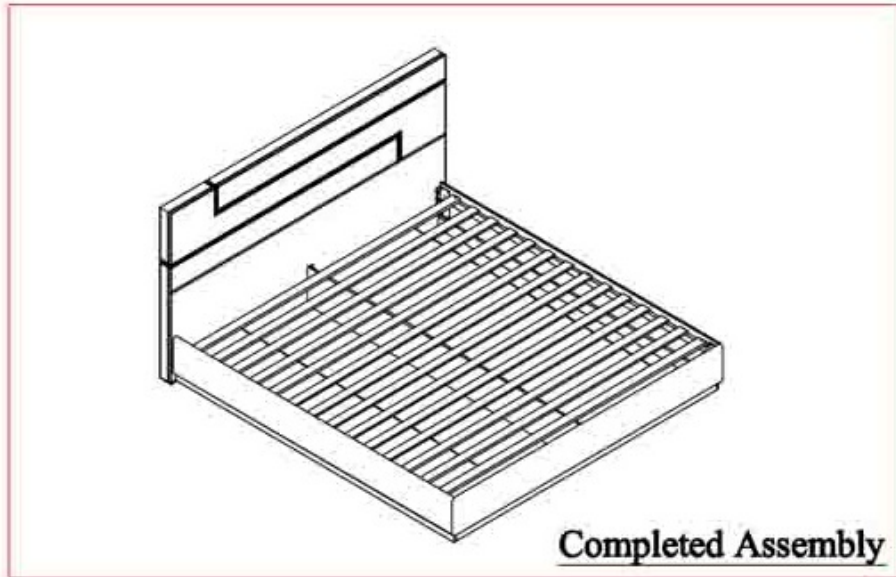
# Assembly Instruction

---

Model No : LUCCA Bed

Thank you for purchasing this quality product.


Please check all packing material carefully which may have come loose inside the carton during shipment.



## PART LIST

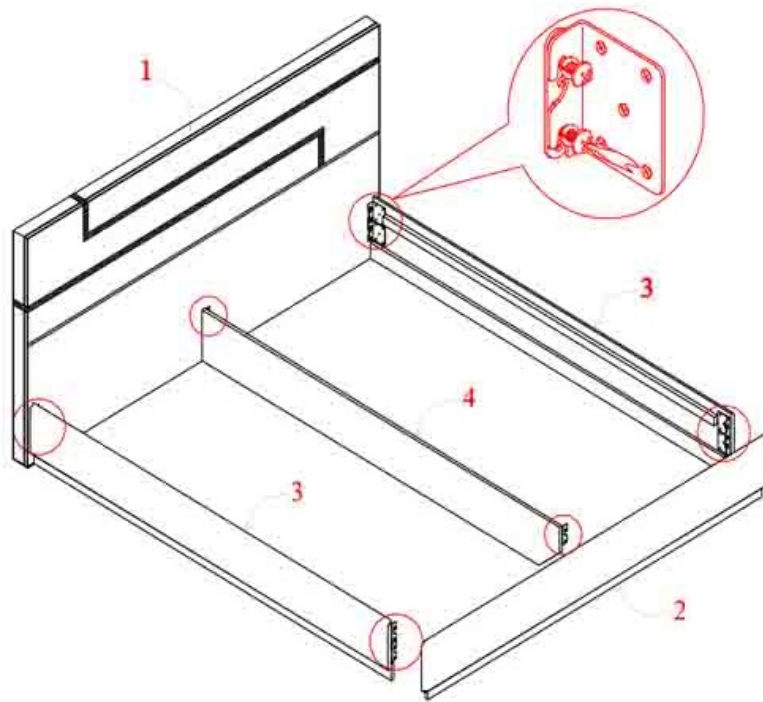
No	Description	Qty
1	Headboard	1pc
2	Footboard	1pc
3	Side Rail	2pcs
4	Center Rail	1pc
5	Slat	1set

## HARDWARE LIST

No	Description	Qty
A	TRUSS HD C/B M4 x 32mm 	6pcs

---

Step : 1



---

Step : 2

