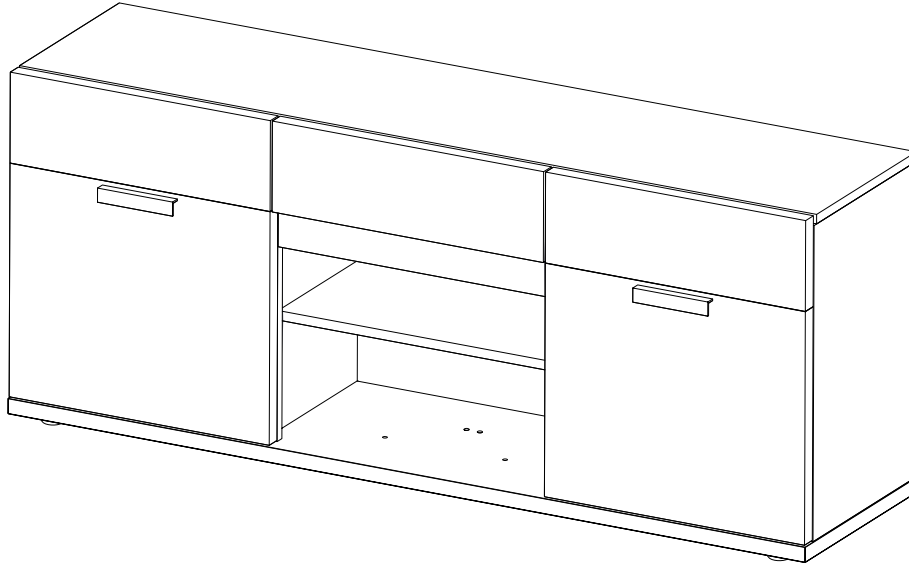
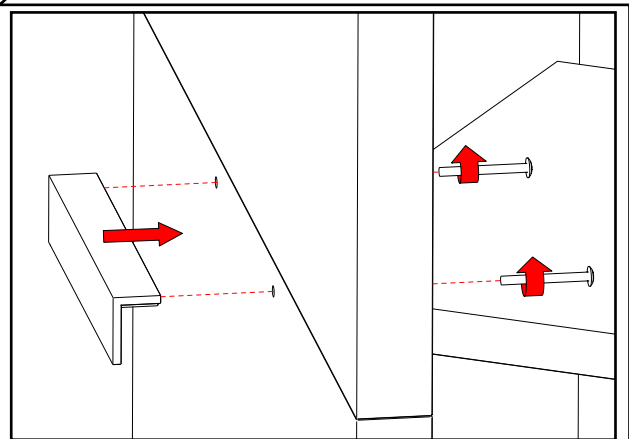
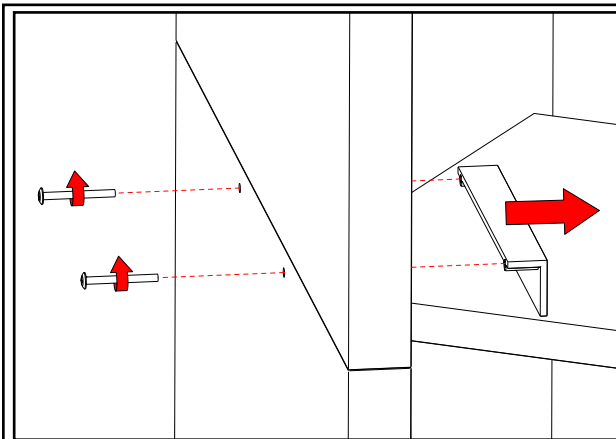
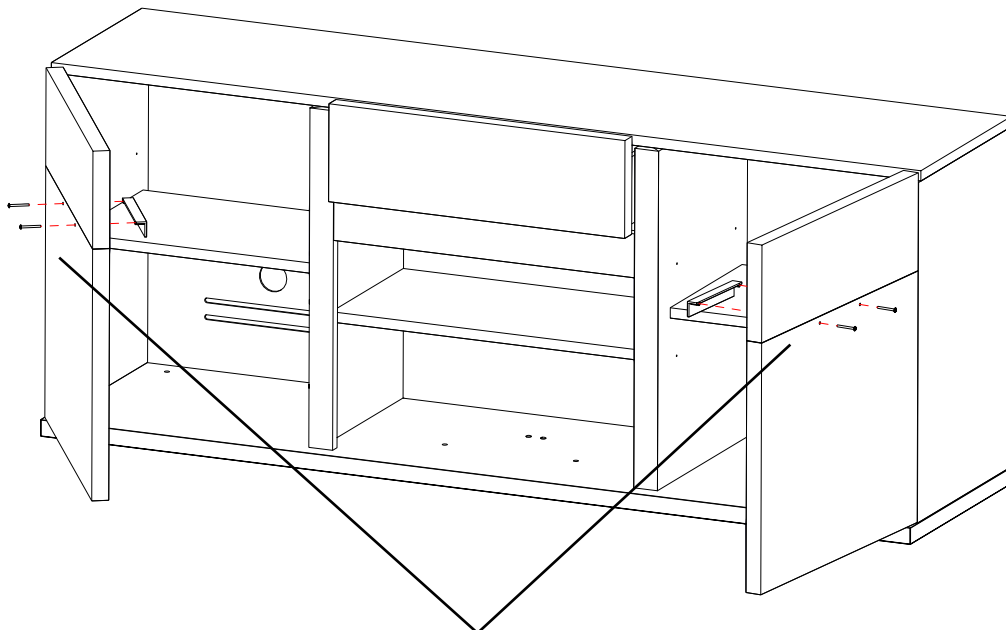


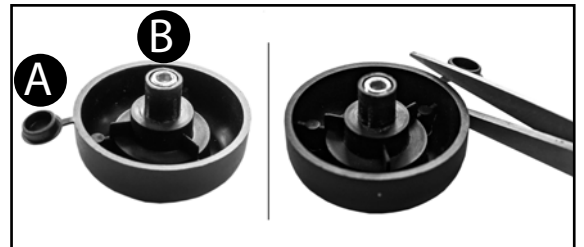
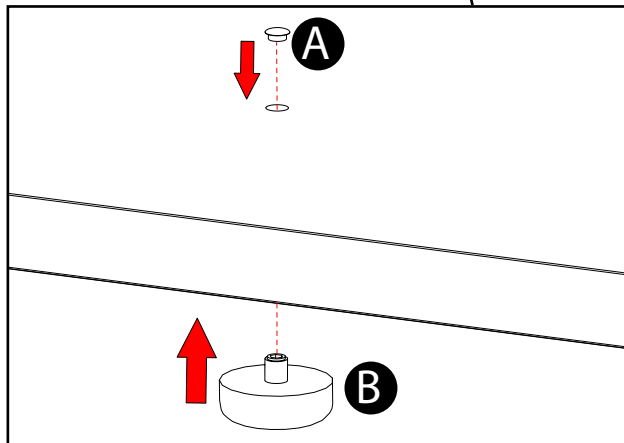
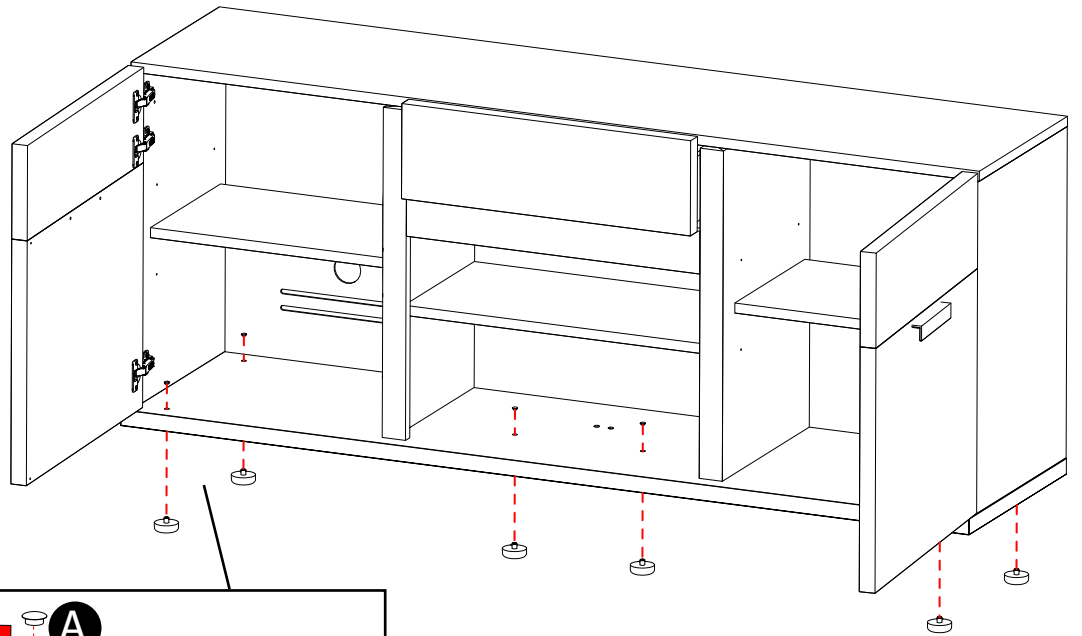
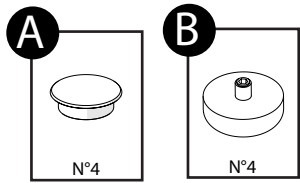
TV BASE



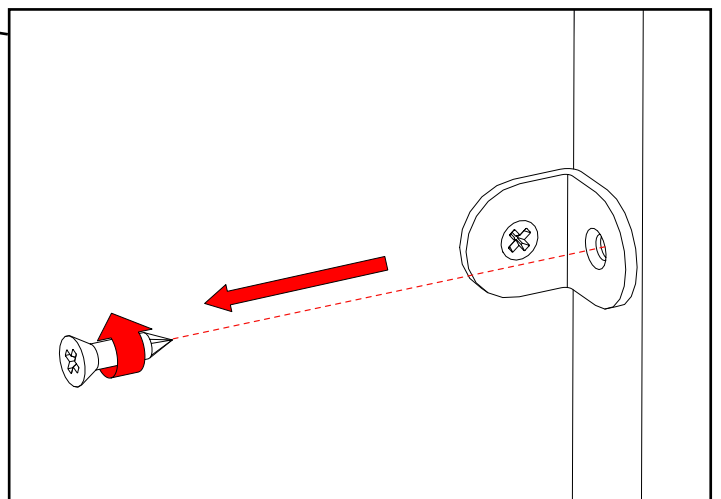
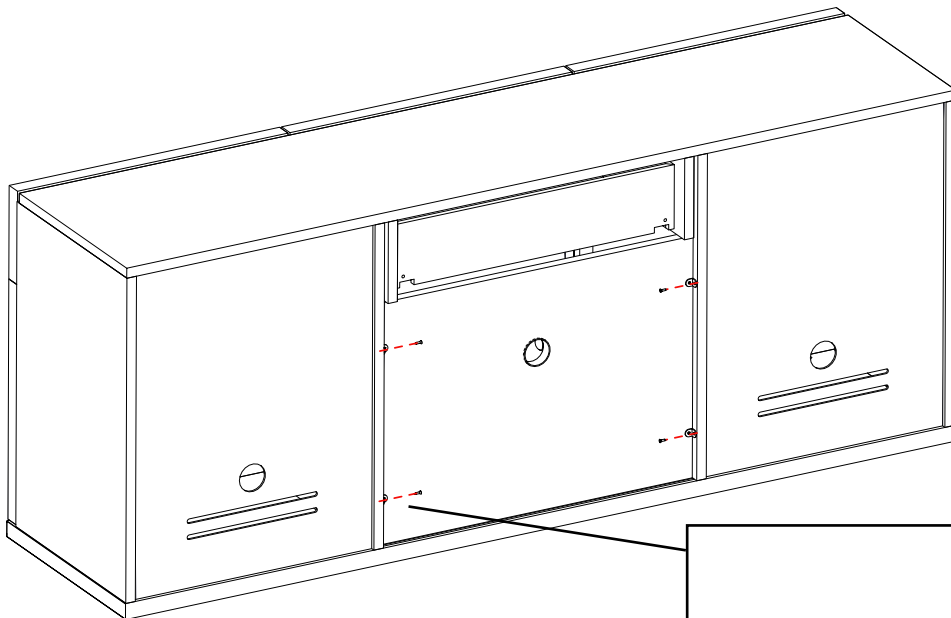
1



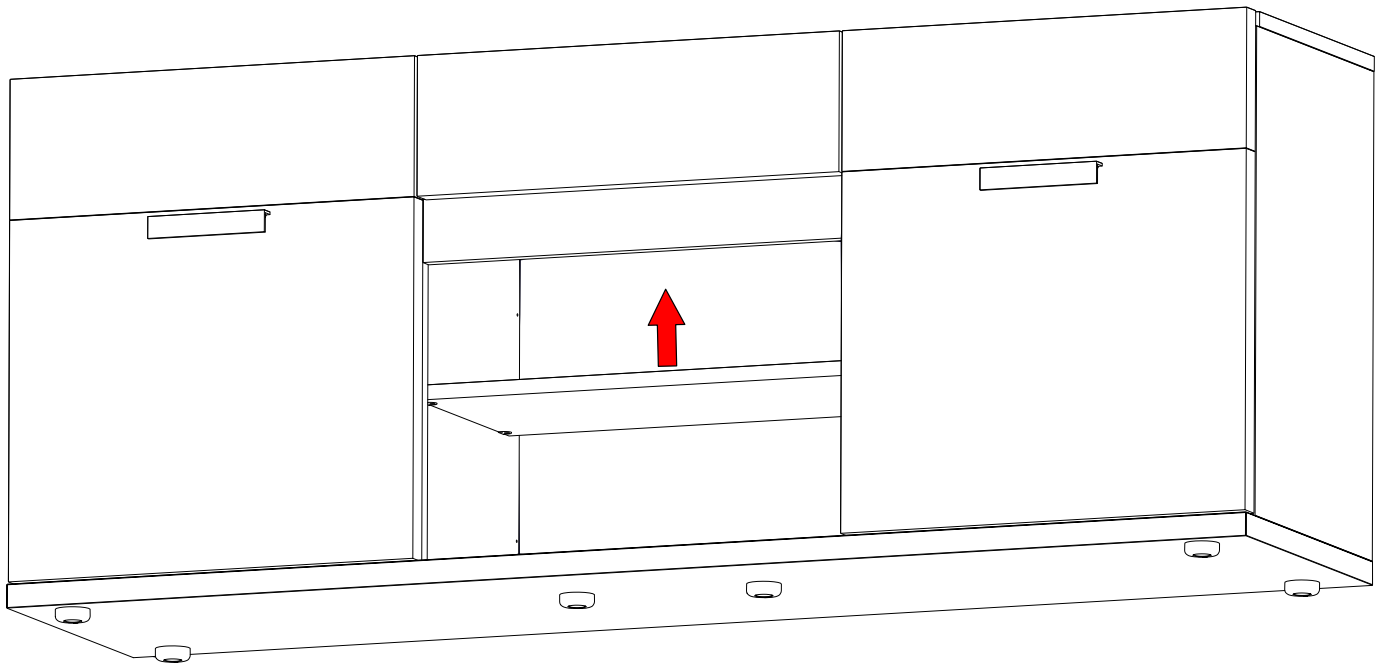
2



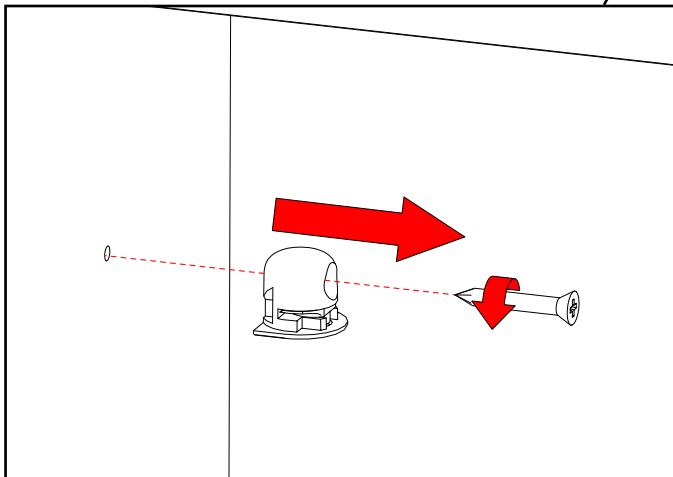
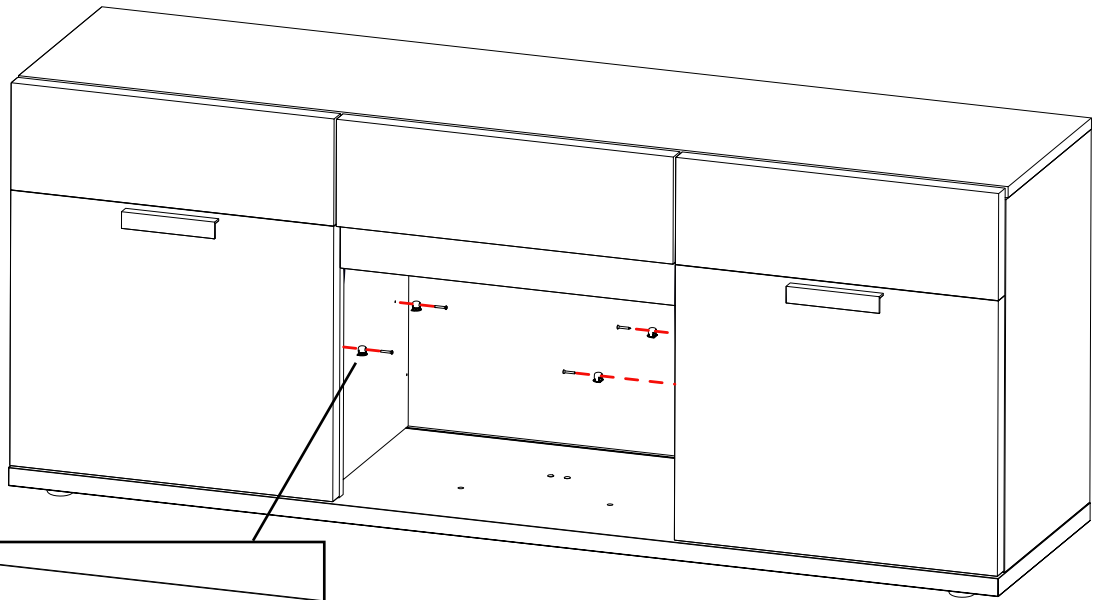
3



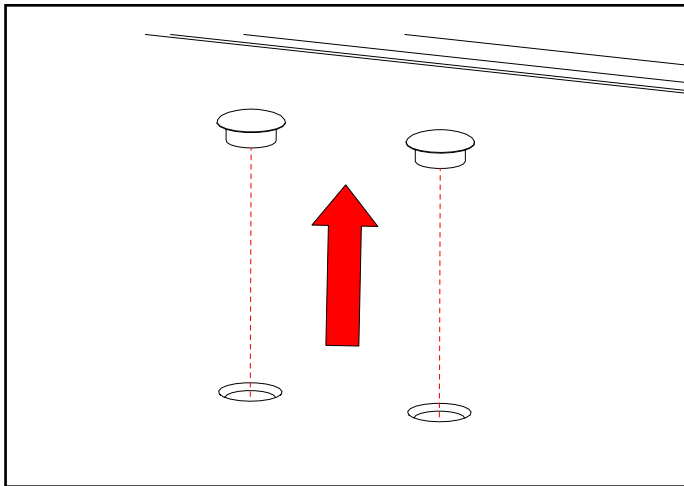
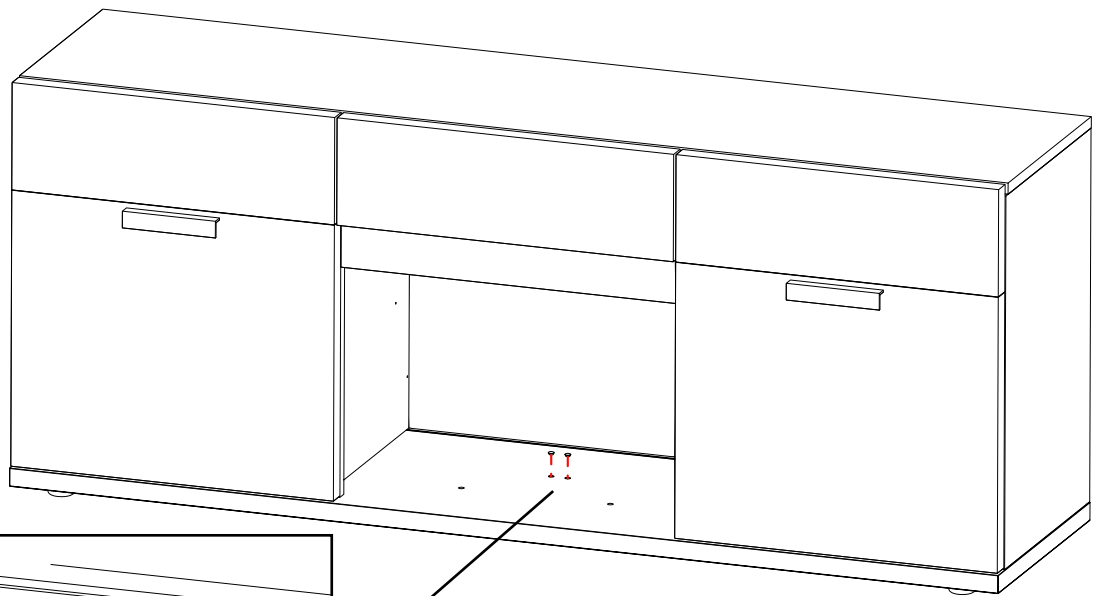
4



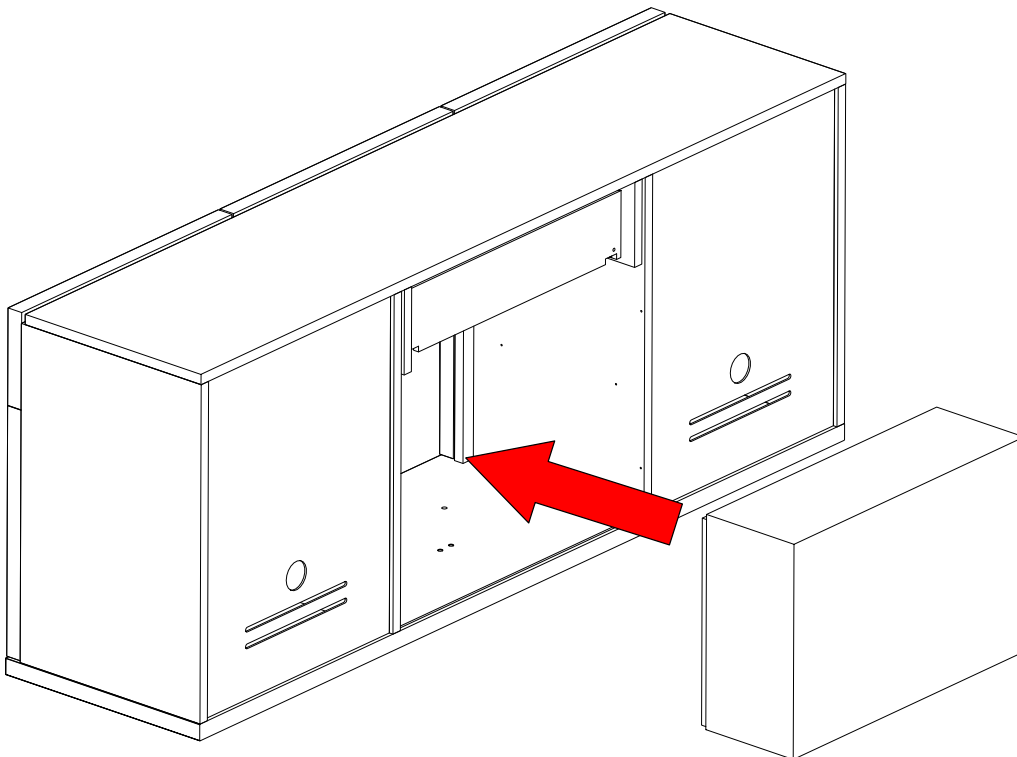
5



6



7



ONLY FOR: DECORATIVE ELECTRIC FIRE PLACES
DELL'O-CLASSIC FLAME
MODEL: 26EF031GPG

8

