



44 National Road  
Edison, NJ 08817  
[www.jnmfurniture.biz](http://www.jnmfurniture.biz)



SKU: 178881

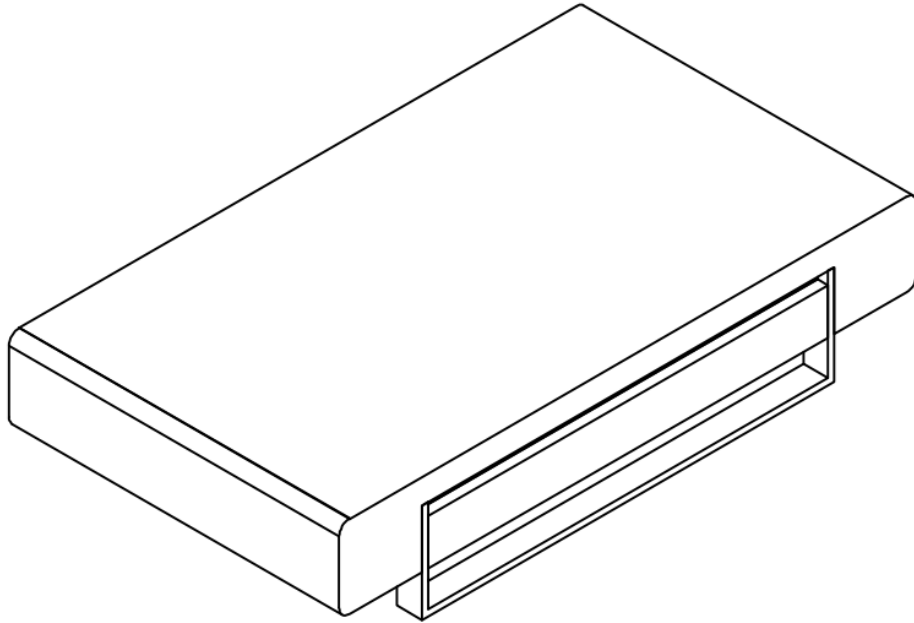
LP 902A Coffee Table Dark Oak

Crafted from wood veneer, the 902A Modern Coffee table is as durable as it is fashionable. The 902A modern coffee table features a drawer for storage and chrome legs for a classical finish.

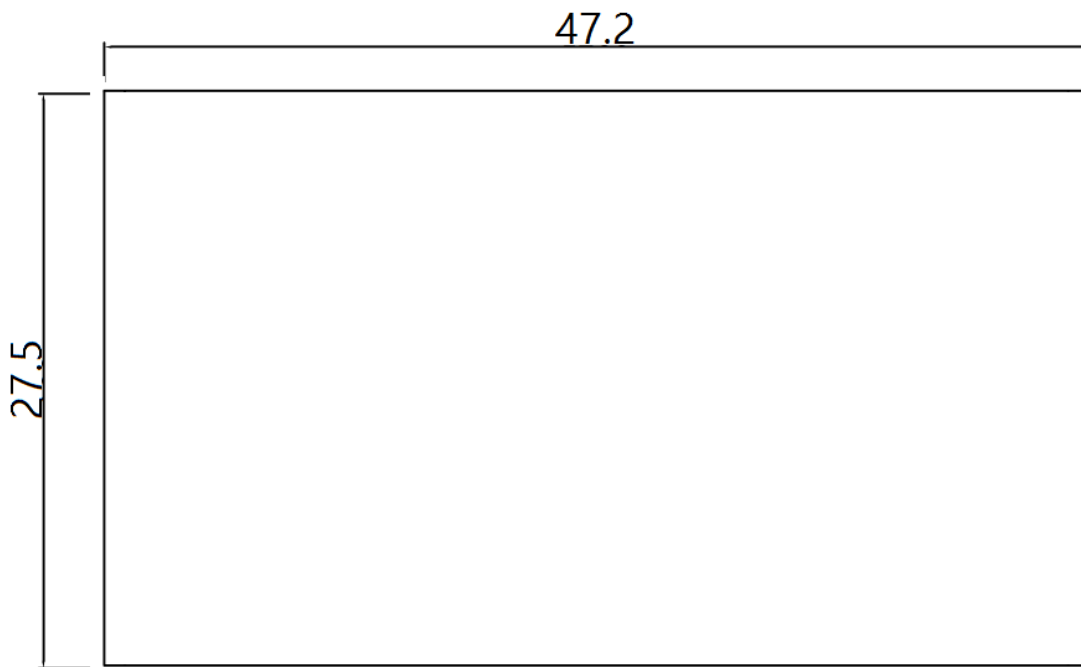
SKU: 178881

Detailed Dimensions

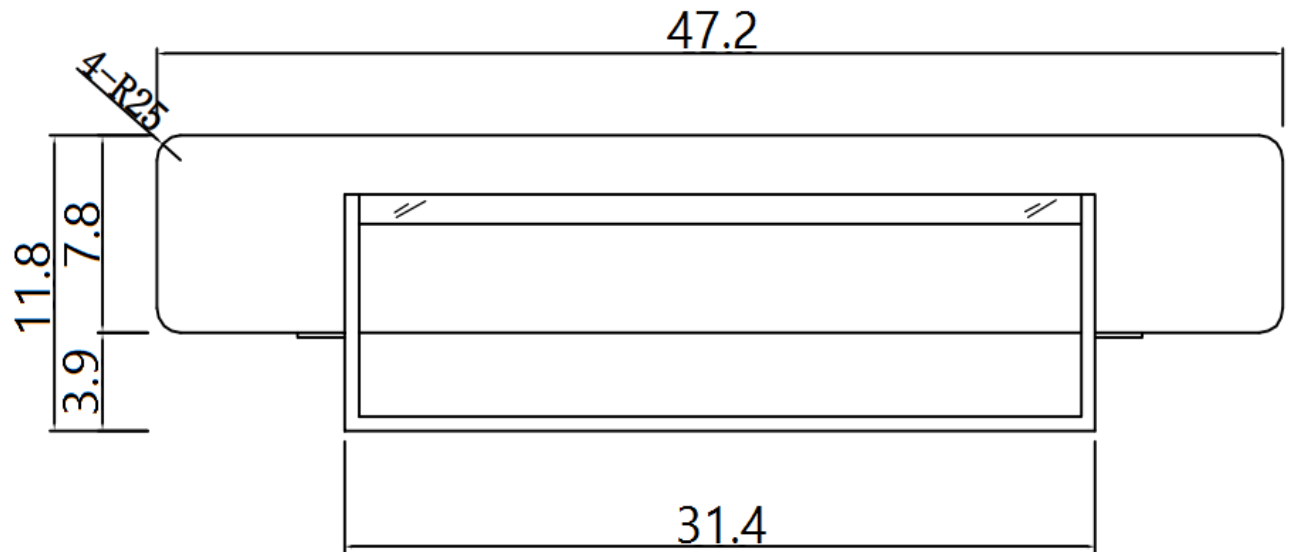
LP 902A Coffee Table Dark Oak



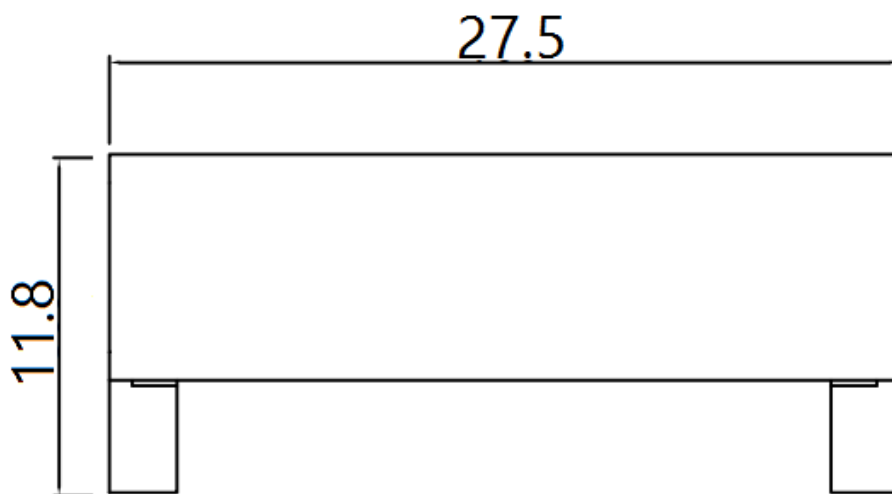
Top View



Front View



Side View







# Assembly Instructions

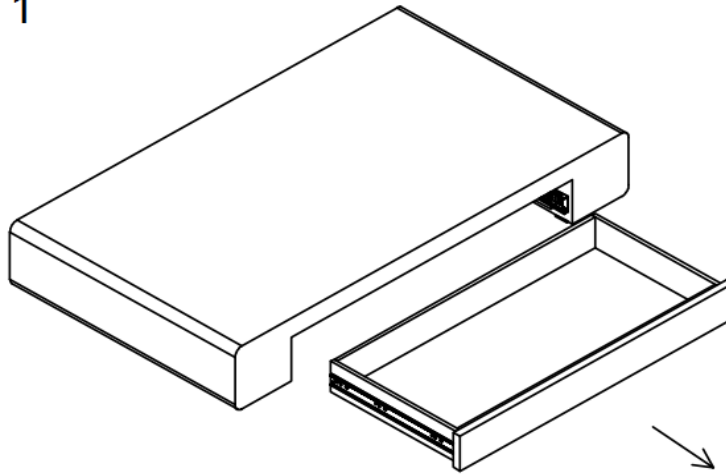
## VERSION: 902A

### SETTING FITTINGS

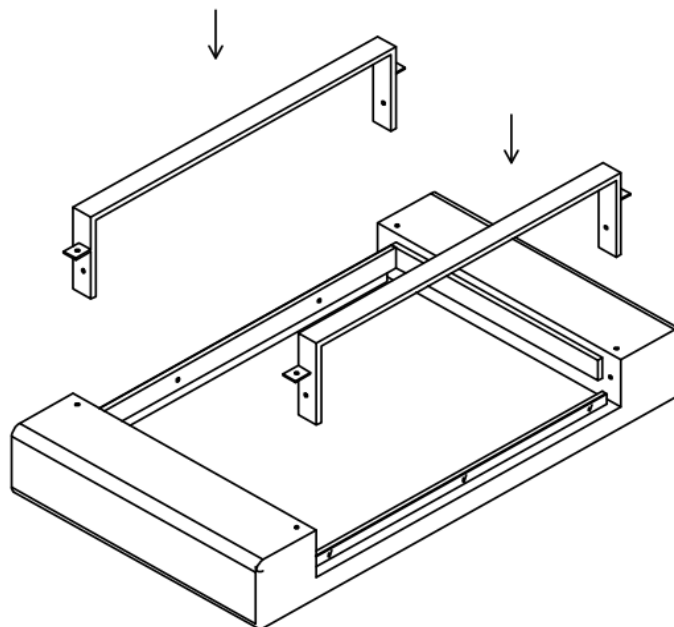
### DR-902A

FITTINGS	SPEC.	AMOUNT	FITTINGS	SPEC.	AMOUNT
A	 M8X65	2PCS	B	 M8X20	8PCS
C	 6mm	1PCS	D	 5mm	1PCS

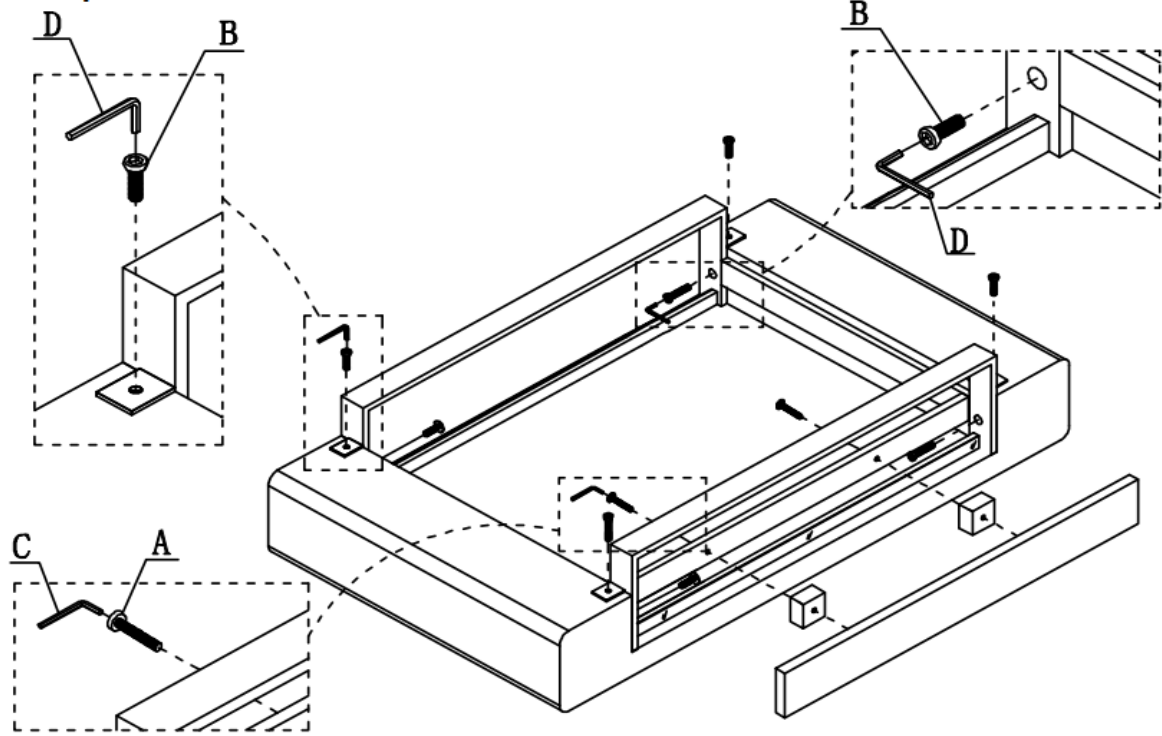
### Step 1



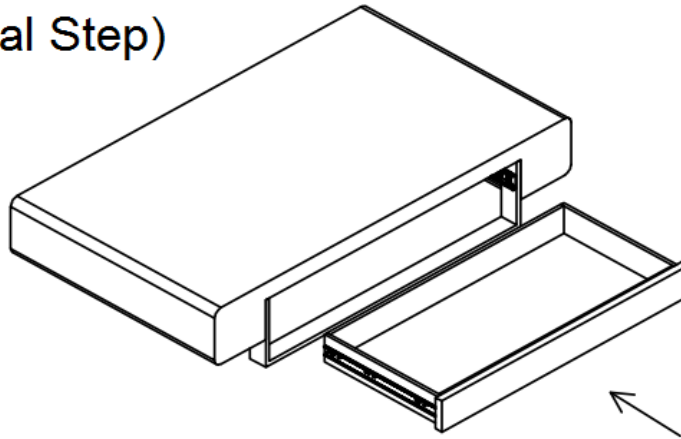
### Step 2



### Step 3



### Step 4 (Final Step)



### Finished Product

