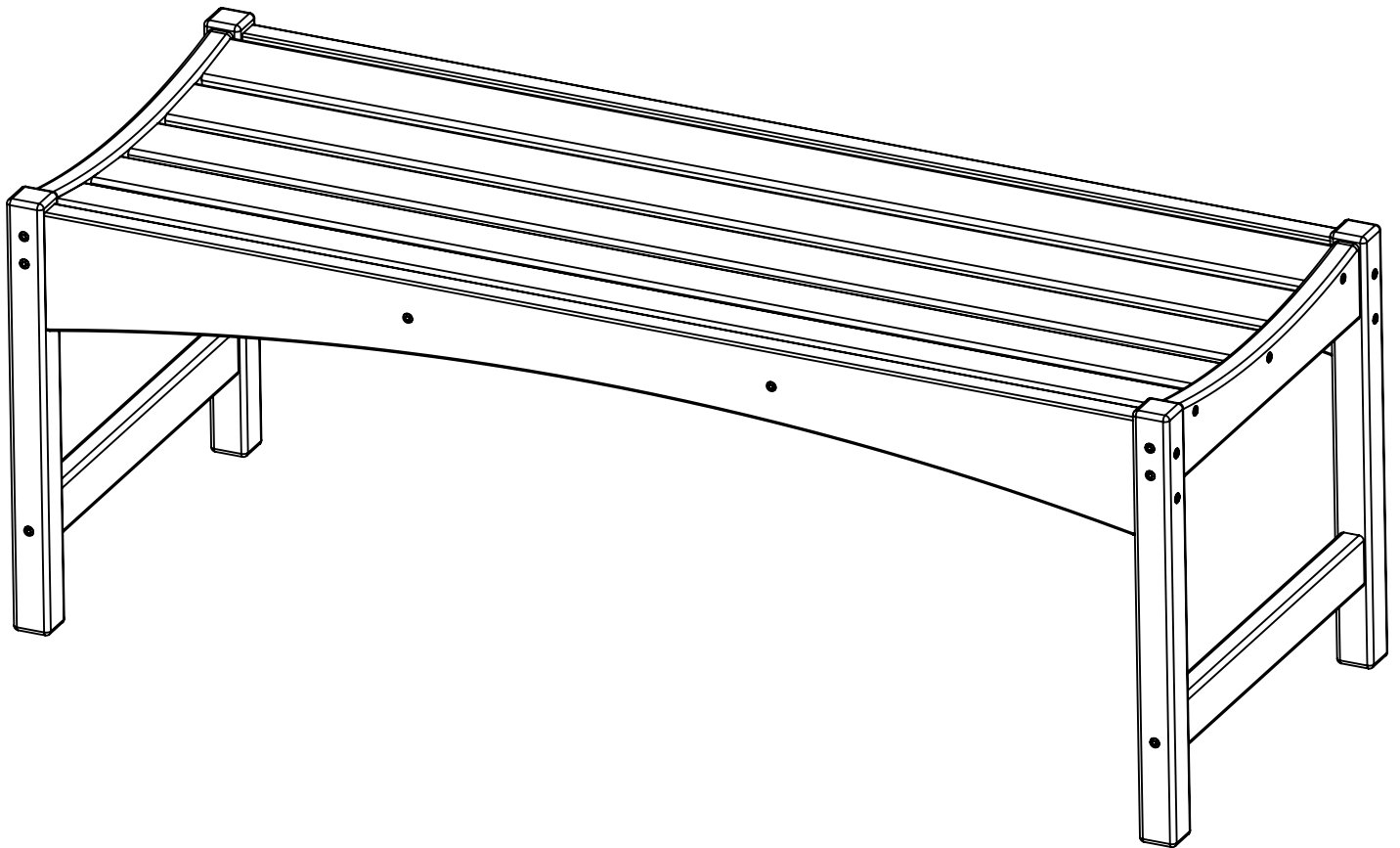


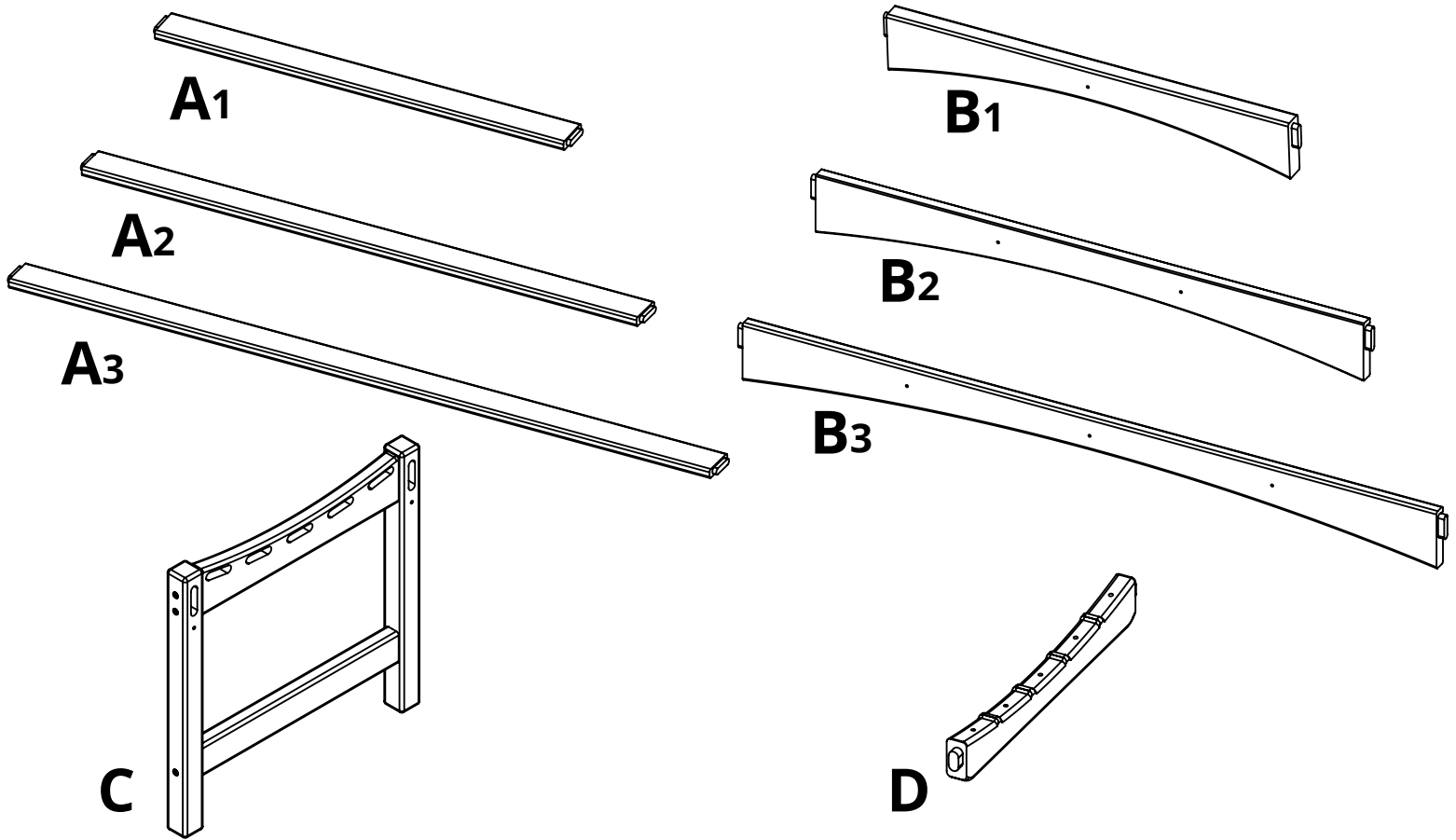
breezesta™

# SKYLINE BACKLESS BENCH

SK-0409-36, SK-0409-48, SK-0409-60

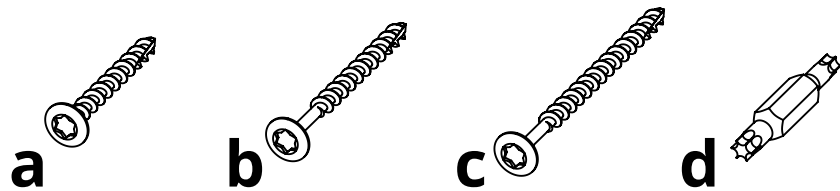


REV00-1/19



## PARTS

PART	DESCRIPTION	PART NO.	QTY 36"	QTY 48"	QTY 60"
A1	36IN SEAT SLAT	SS-33.562	5	-	-
A2	48IN SEAT SLAT	SS-45.562	-	5	-
A3	60IN SEAT SLAT	SS-57.562	-	-	5
B1	FRONT RAIL 36"	PRT-00318	1	-	-
B2	FRONT RAIL 48"	SA-00197	-	1	-
B3	FRONT RAIL 60"	SA-00198	-	-	1
C	SIDE ASSEMBLY	SA-00194	2	2	2
D	SEAT SUPPORT	PRT-00350	1	2	3

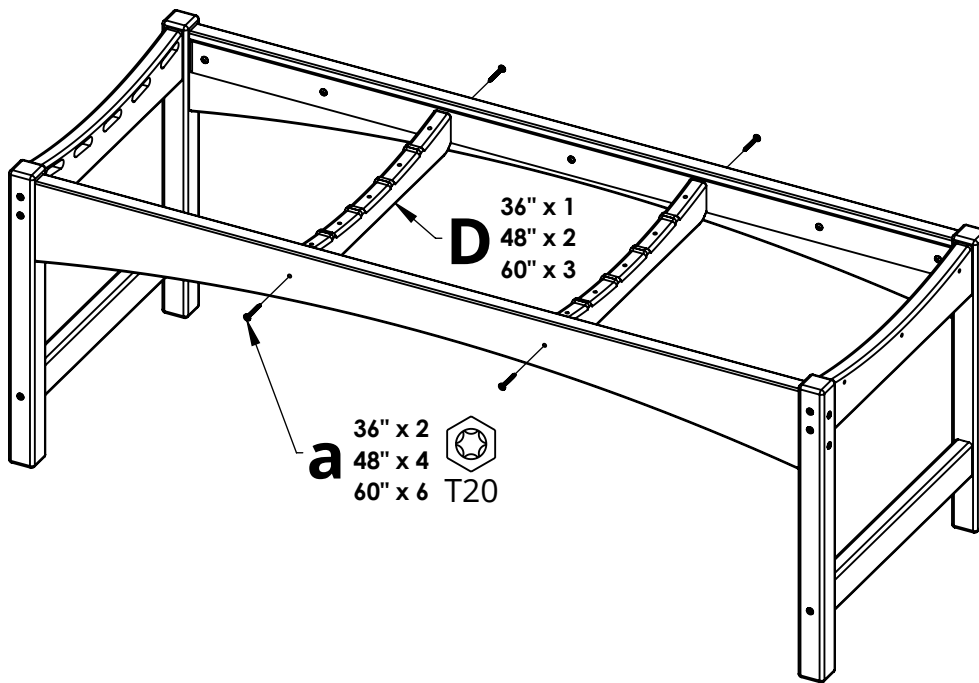
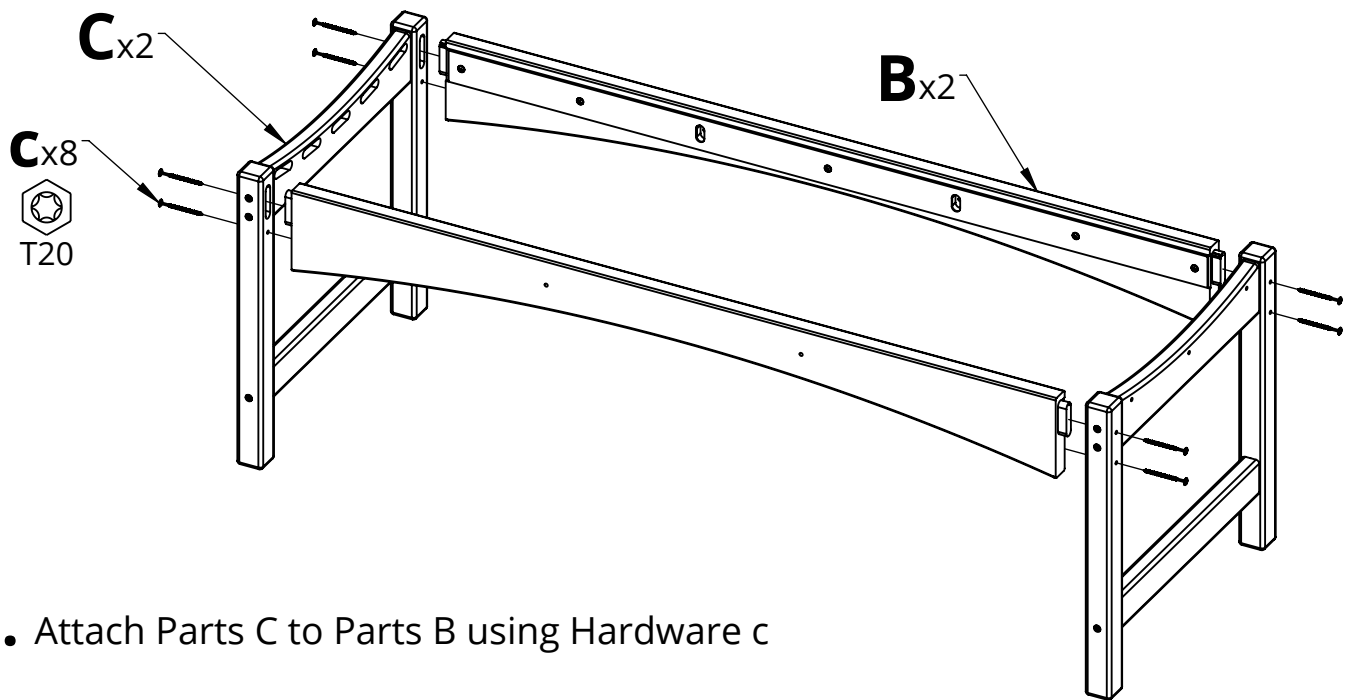


## HARDWARE

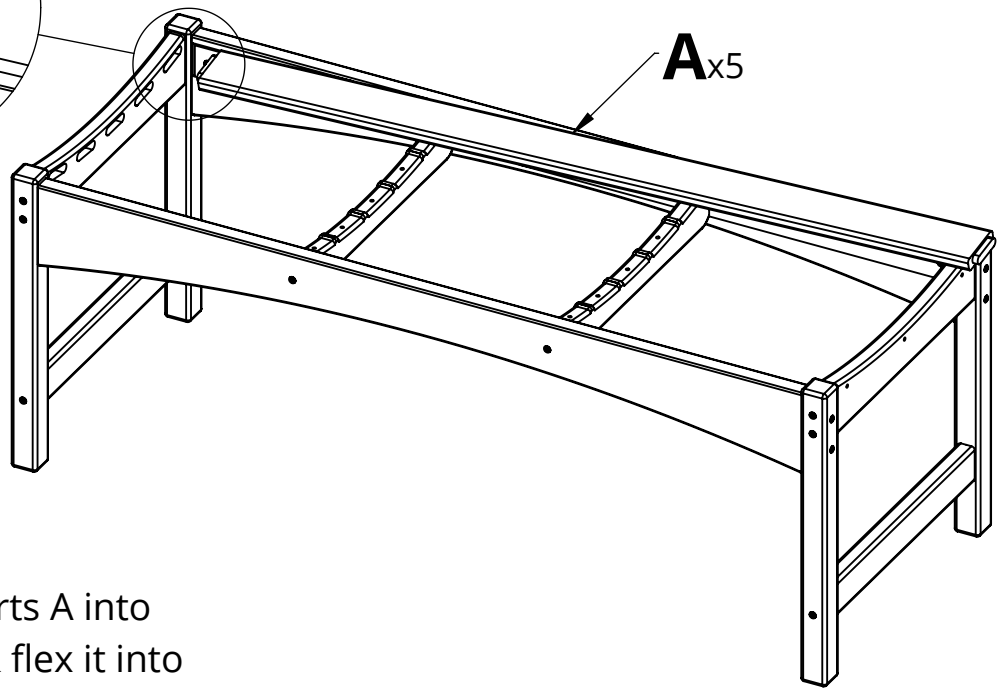
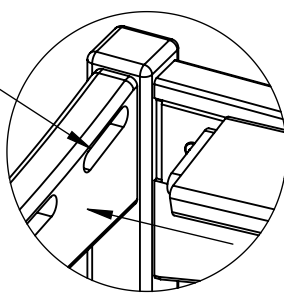
PART	DESCRIPTION	PART NO.	QTY 36"	QTY 48"	QTY 60"
a	#8 X 1-1/2" TORX SCREW	H-0000-S815	9	10	11
b	#8 X 2" TORX SCREW	H-0000-S82	5	10	15
c	#8 X 2-1/2" TORX SCREW	H-0000-S825	7	8	9
d	T20 & T25 TORX BIT	H-0000-CTD	1	1	1

**Suggested Tools:** Drill, Plastic Mallet

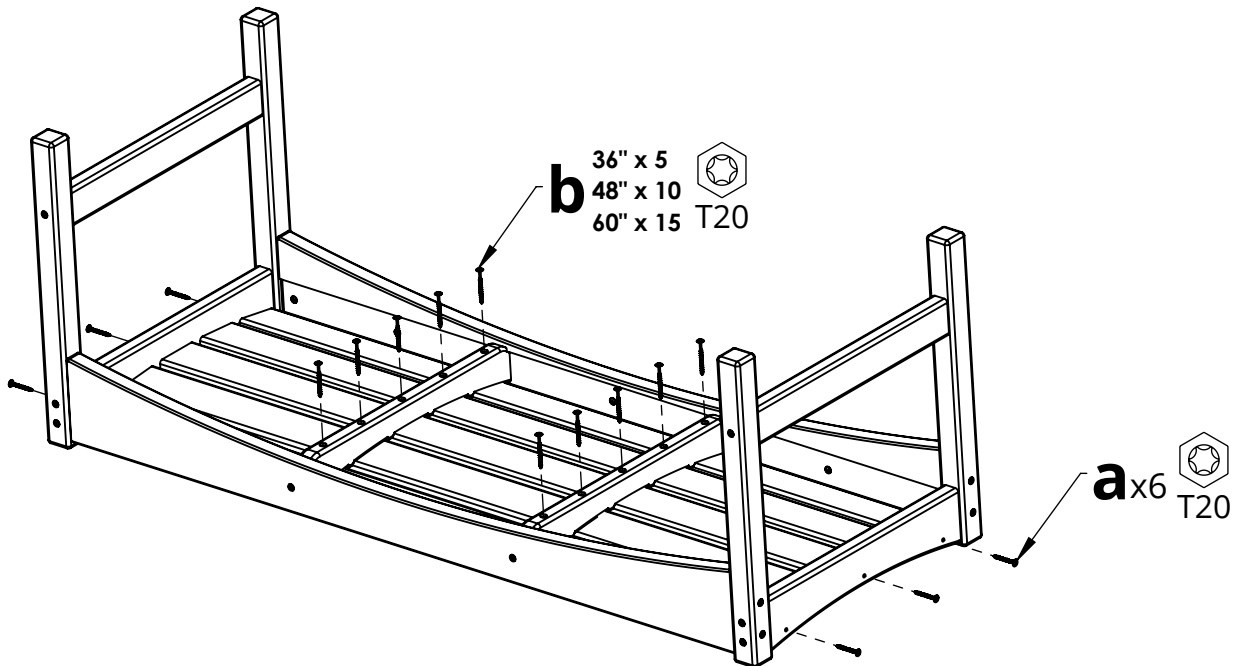
# Please read entire instructions before beginning



Mortise



**3.** Slide one end of Parts A into the mortise as shown & flex it into the mortise on the other end



**4.** Secure the assembly using Hardware a & b as shown