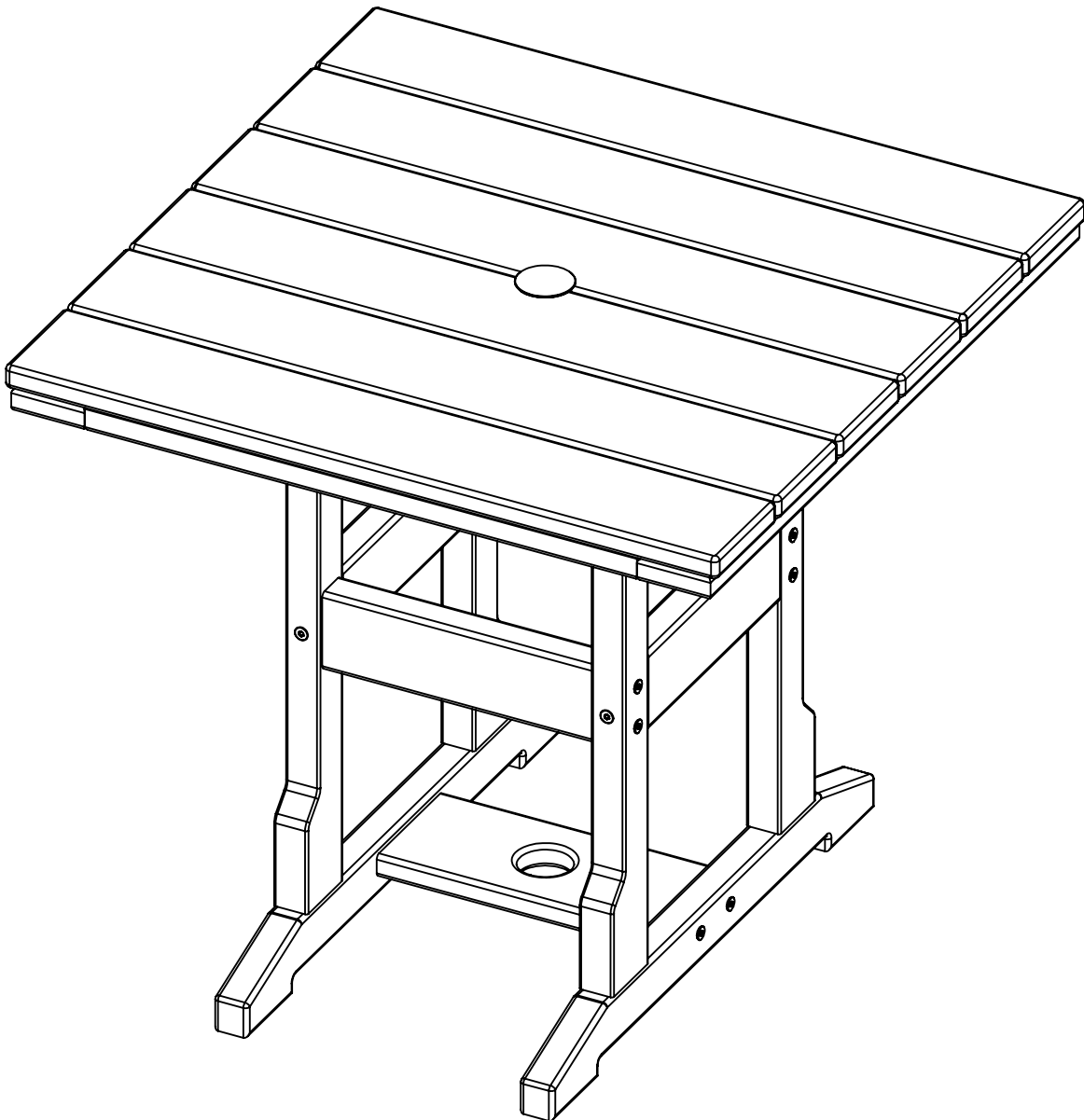
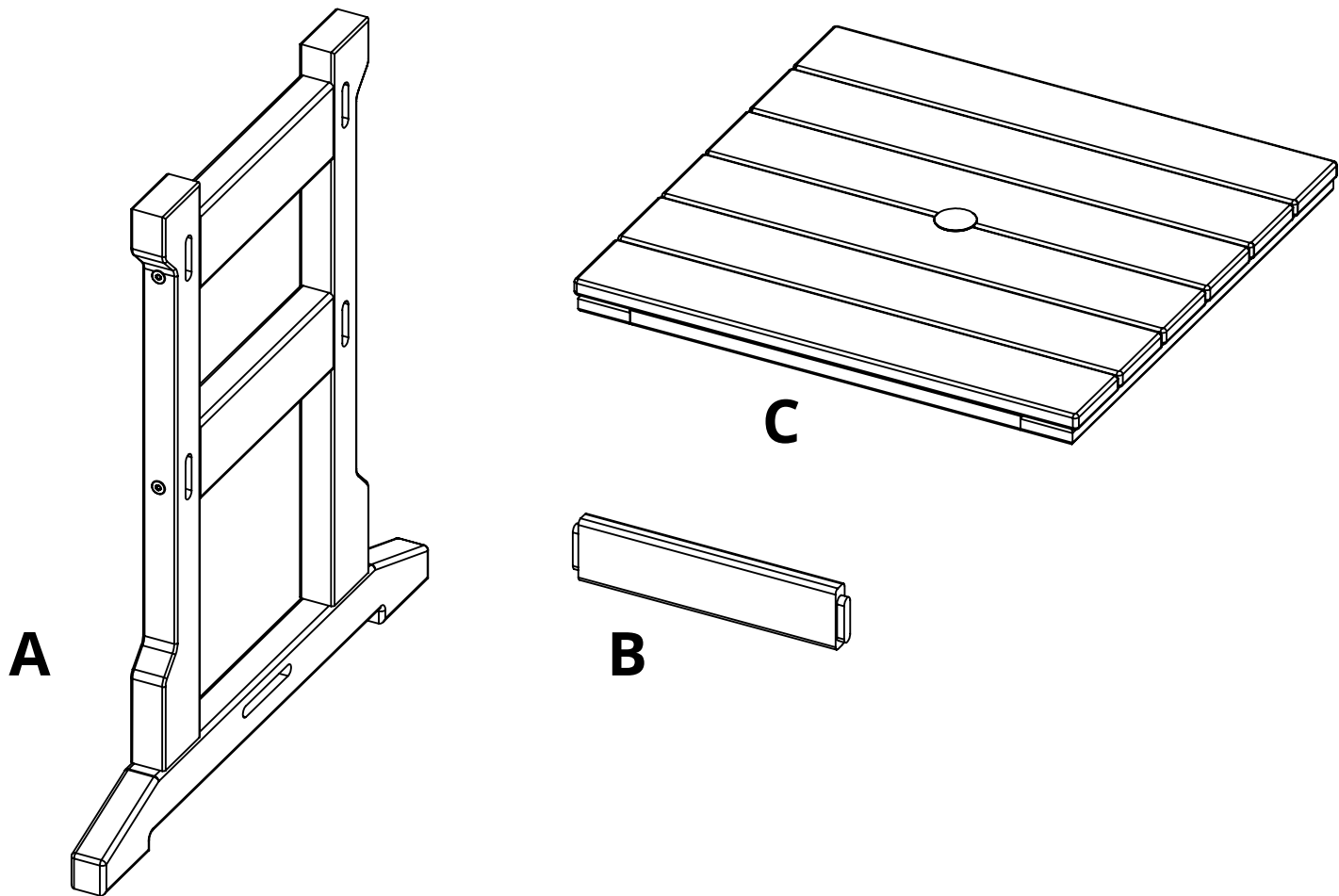


breezesta™

32"x 32" DINING TABLE
DH-0706

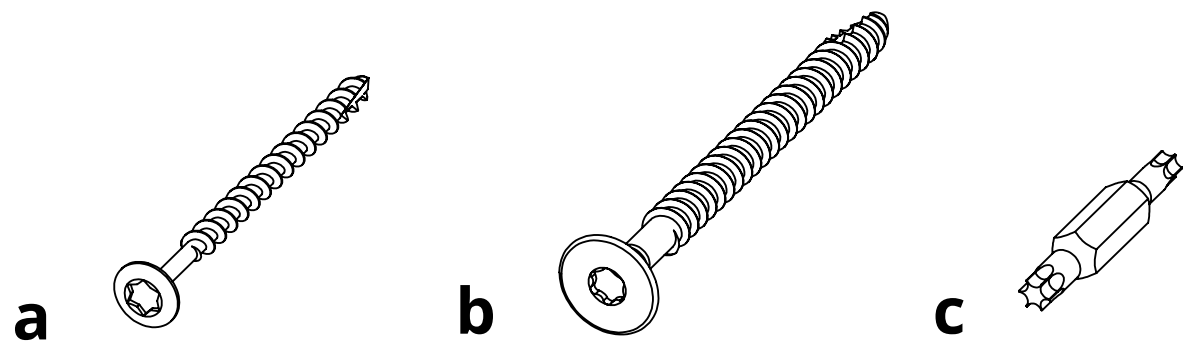


REV01-4/19



PARTS

PART	DESCRIPTION	PART NO.	QTY
A	SIDE ASSEMBLY	SA-00309	2
B	SPREADER	PRT-00620	4
C	BASE SPREADER	PRT-00621	1
D	TABLE TOP ASSEMBLY 32"x32 "	SA-00324	1



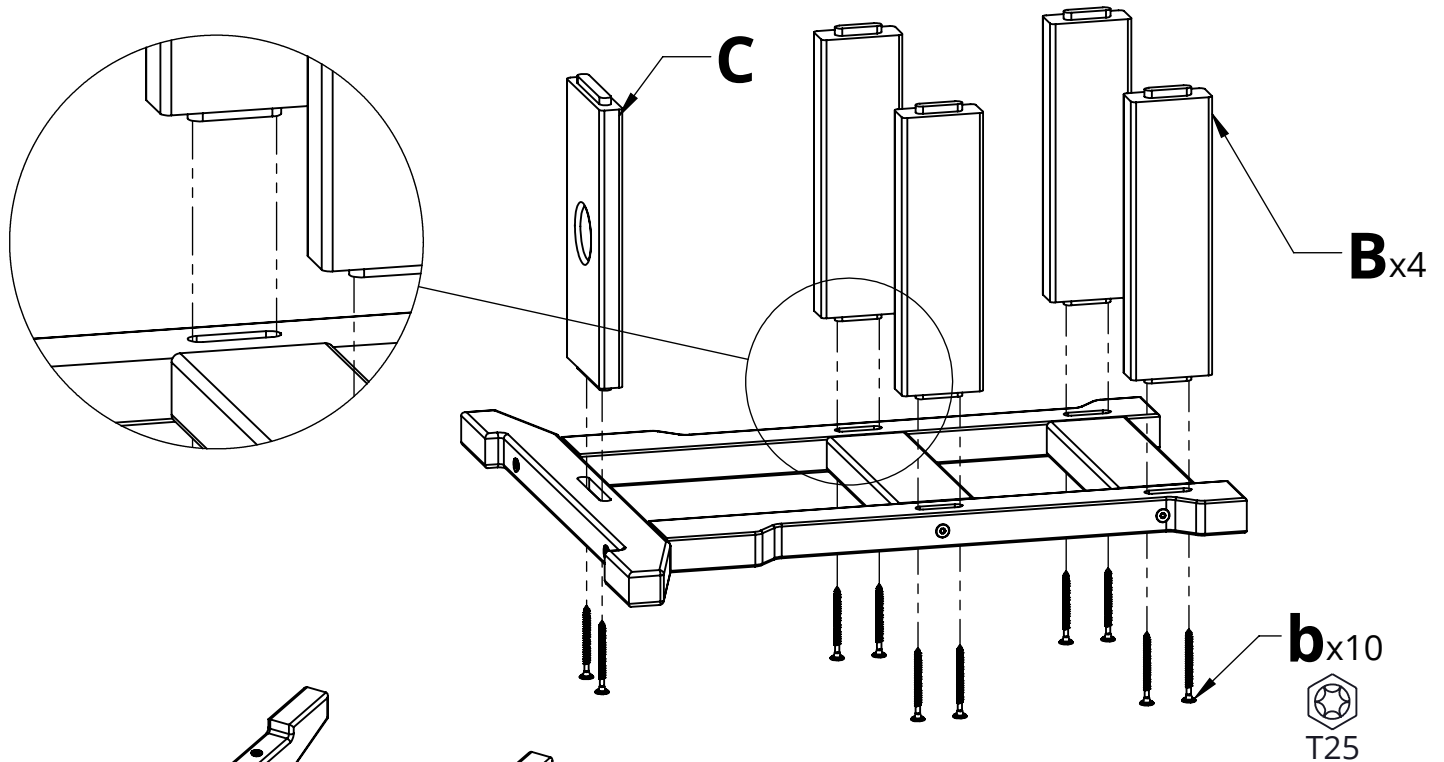
HARDWARE

PART	DESCRIPTION	PART NO.	QTY
a	#8 X 2" TORX SCREW	H-0000-S82	4
b	1/4-10 x 3" LAG	H-0000-S103	20
c	T20 & T25 TORX BIT	H-0000-CTD	1

Suggested Tools: Drill, Plastic Mallet

Please read entire instructions before beginning

1. Attach Part B and Part C to Part A using Hardware b



2. Place second Part A on assembled piece from Step 1, attach with Hardware b

3. Place Part A onto Part D, attach using Hardware a

