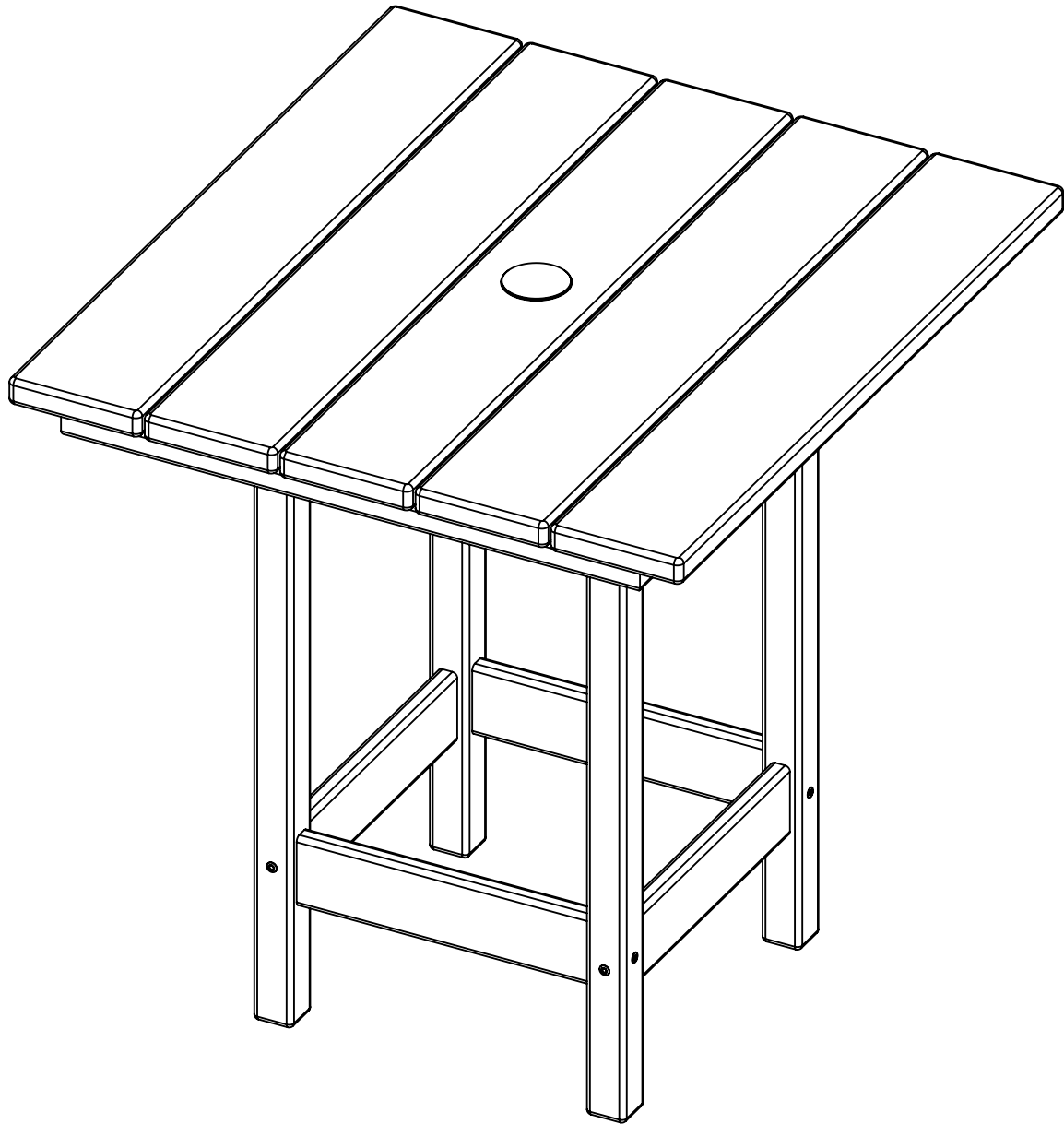
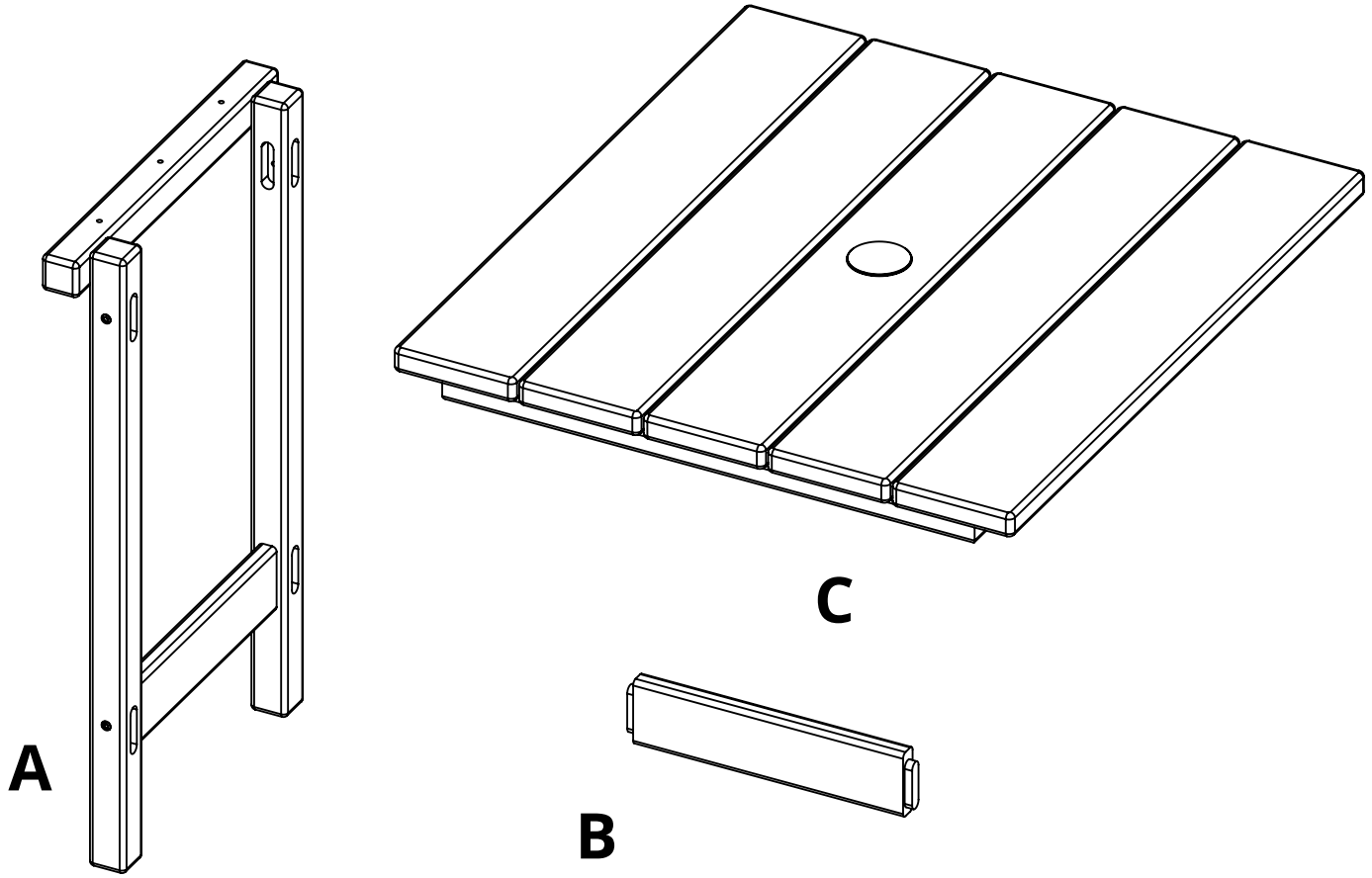


breezesta™

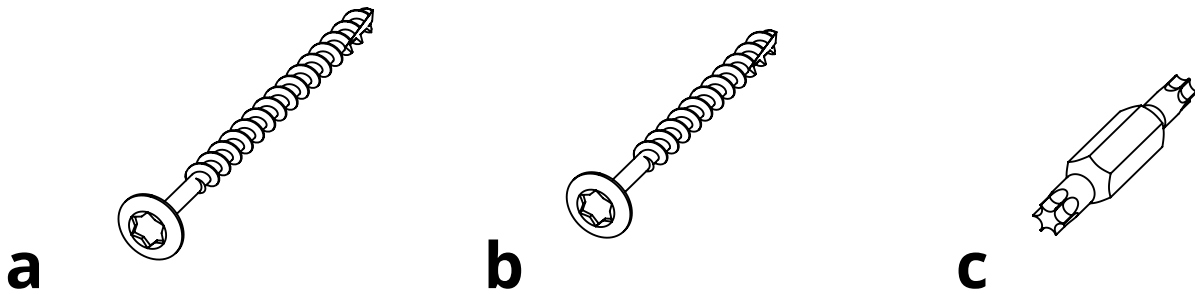
**26" x 28" DINING TABLE**  
DH-0705



REV00-1/19



PARTS			
PART	DESCRIPTION	PART NO.	QTY
A	SIDE ASSEMBLY	SA-00302	2
B	STOOL SPREADER	SS-11.25	4
C	TABLE TOP ASSEMBLY 26"	SA-00322	1

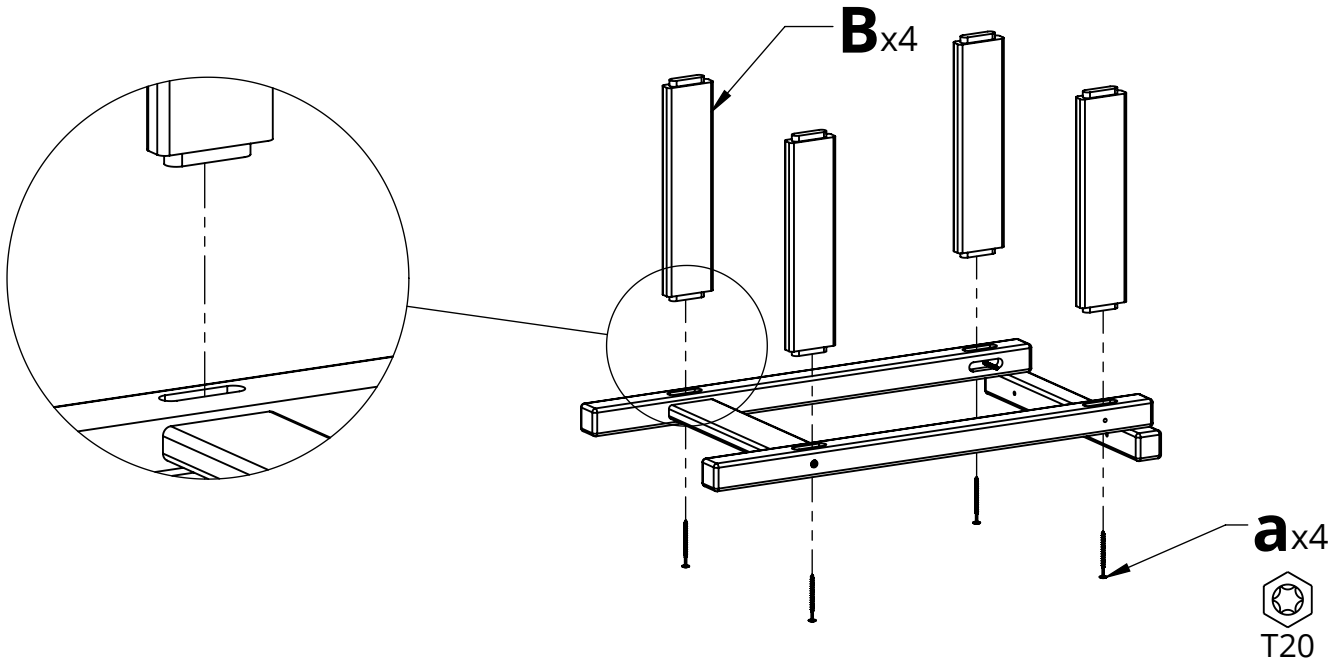


HARDWARE			
PART	DESCRIPTION	PART NO.	QTY
a	#8 2-1/2" TORX SCREW	H-0000-S825	8
b	#8 X 2" TORX SCREW	H-0000-S82	6
d	2" UMBRELLA CAP	H-0000-UC	1
c	T20 & T25 TORX BIT	H-0000-CTD	1

**Suggested Tools:** Drill, Plastic Mallet

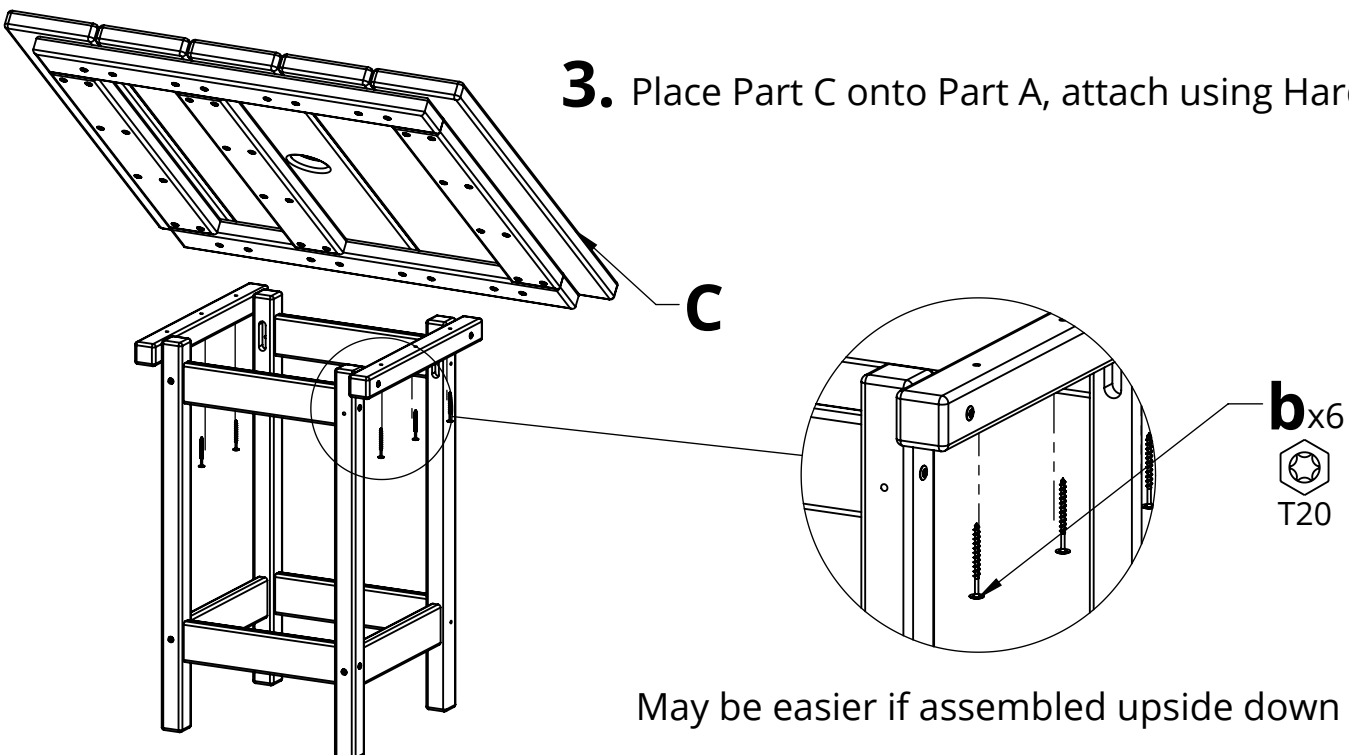
# Please read entire instructions before beginning

1. Attach Part B to Part A using Hardware a



2. Place second Part A on assembled piece from Step 1, attach with Hardware a

3. Place Part C onto Part A, attach using Hardware b



May be easier if assembled upside down