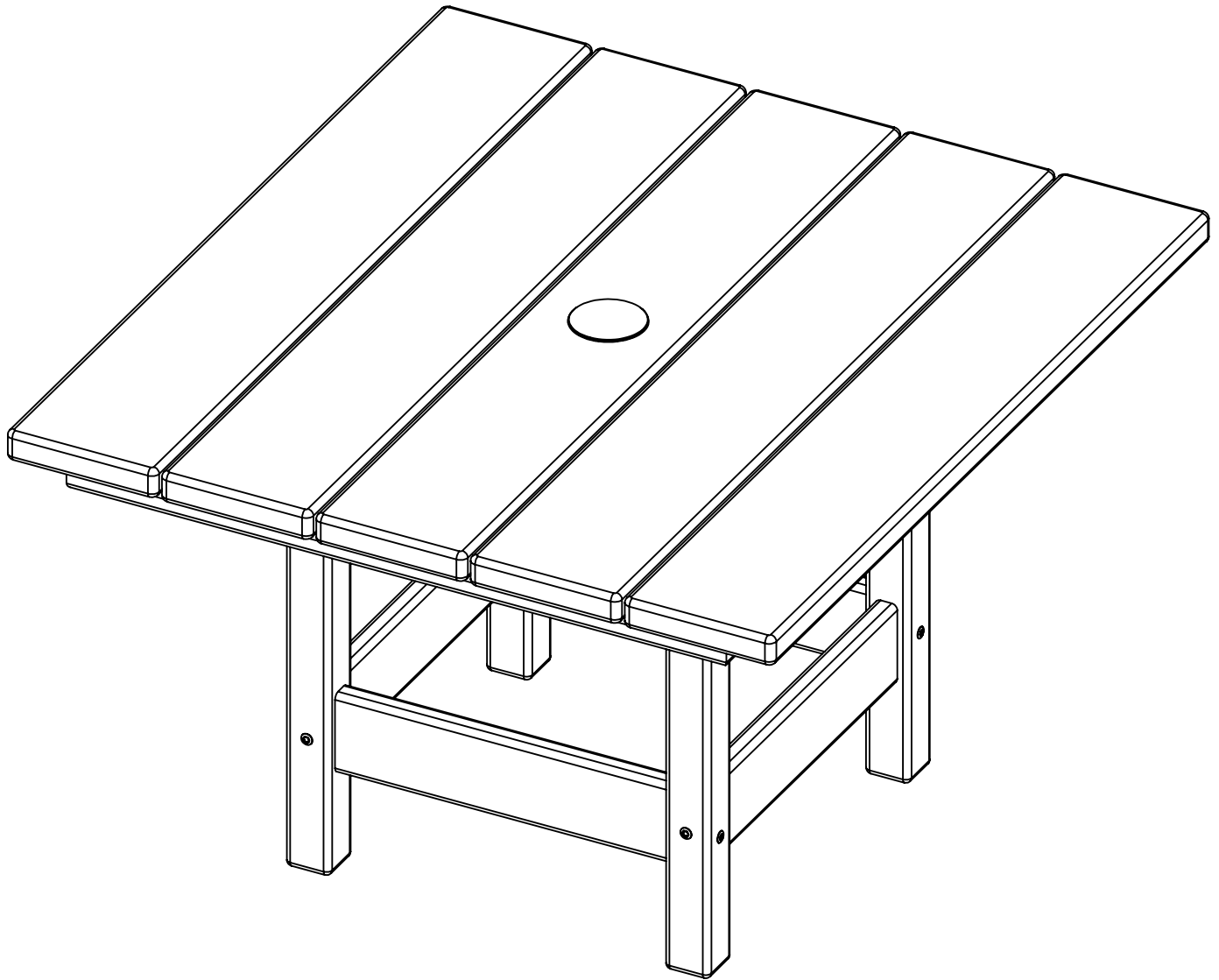
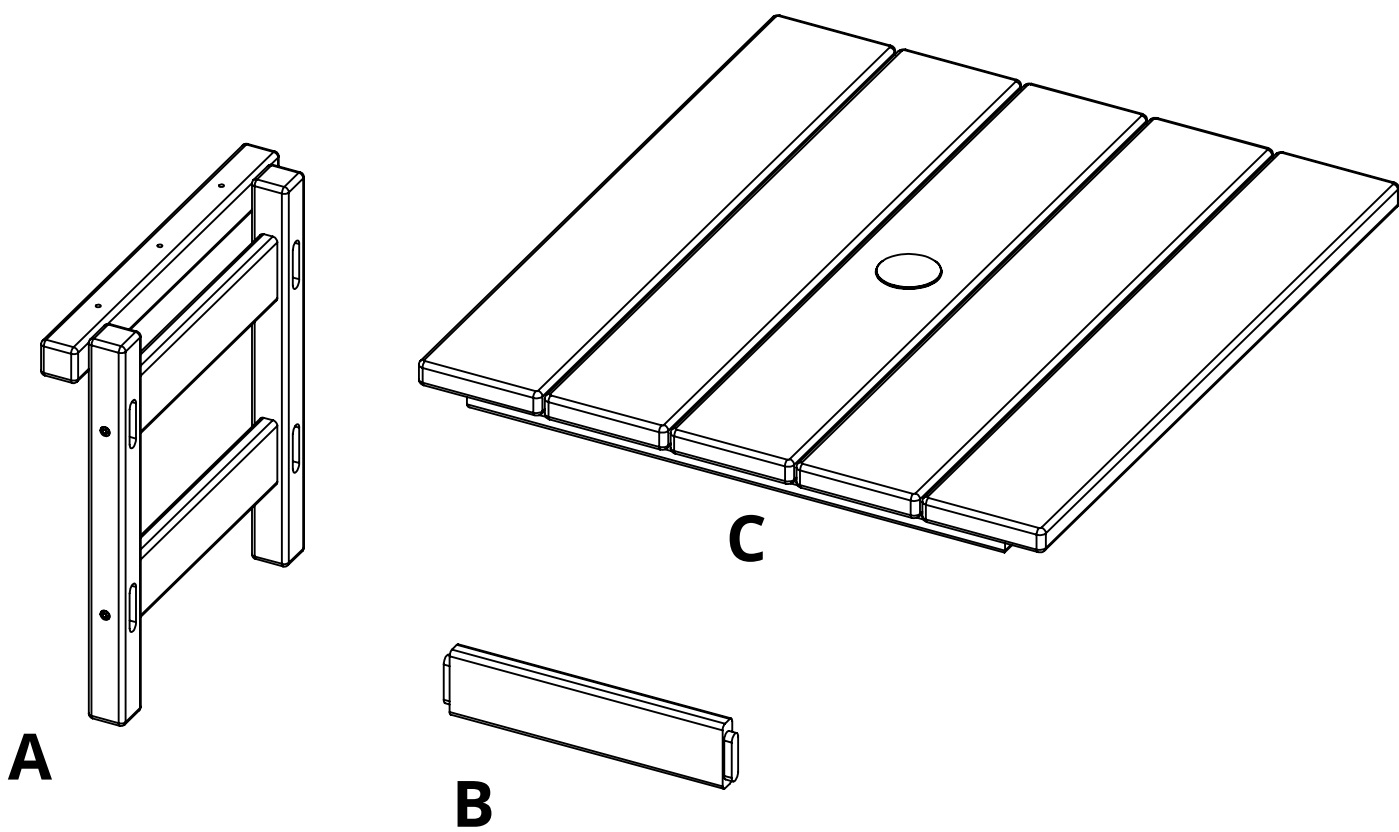


breezesta™

26" x 28" CONVERSATION TABLE
CT-1104



REV01-7/19



PARTS			
PART	DESCRIPTION	PART NO.	QTY
A	SIDE ASSEMBLY	SA-00299	2
B	STOOL SPREADER	SS-11.25	4
C	TABLE TOP ASSEMBLY 26"	SA-00322	1

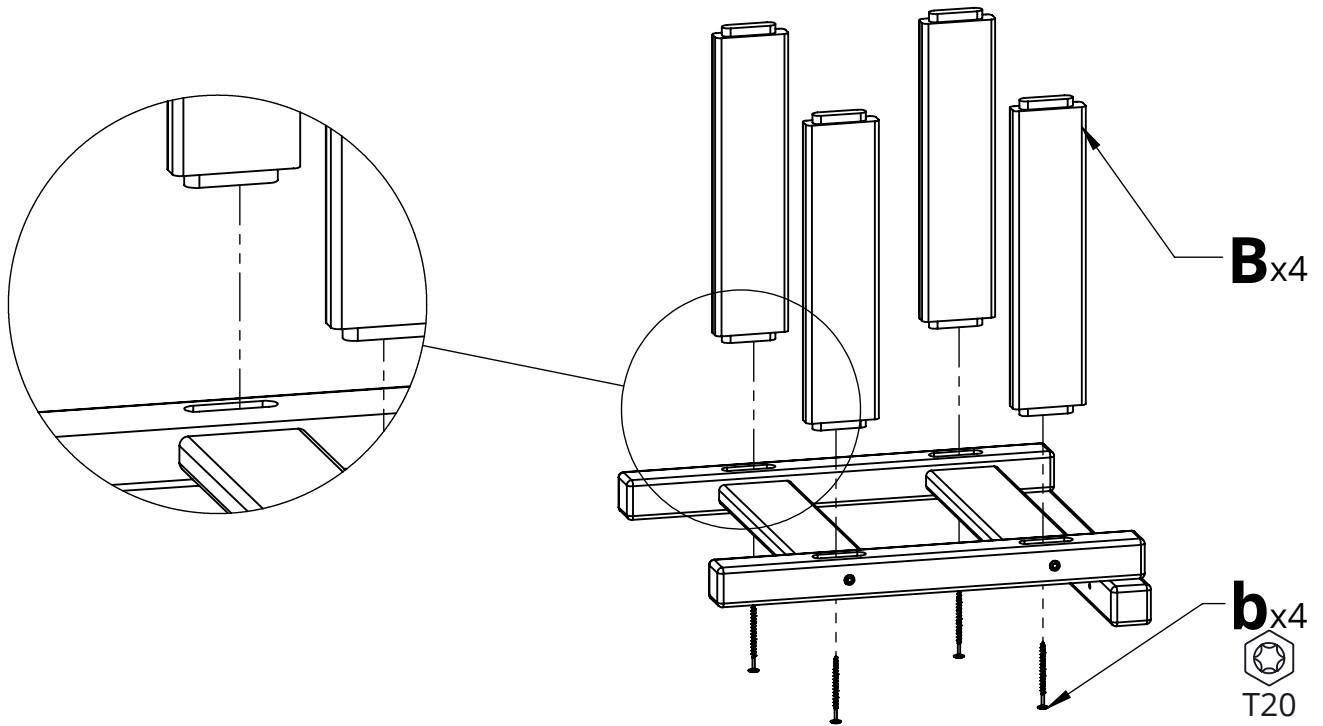


HARDWARE			
PART	DESCRIPTION	PART NO.	QTY
a	#8 X 2" TORX SCREW	H-0000-S82	14
b	T20 & T25 TORX BIT	H-0000-CTD	1

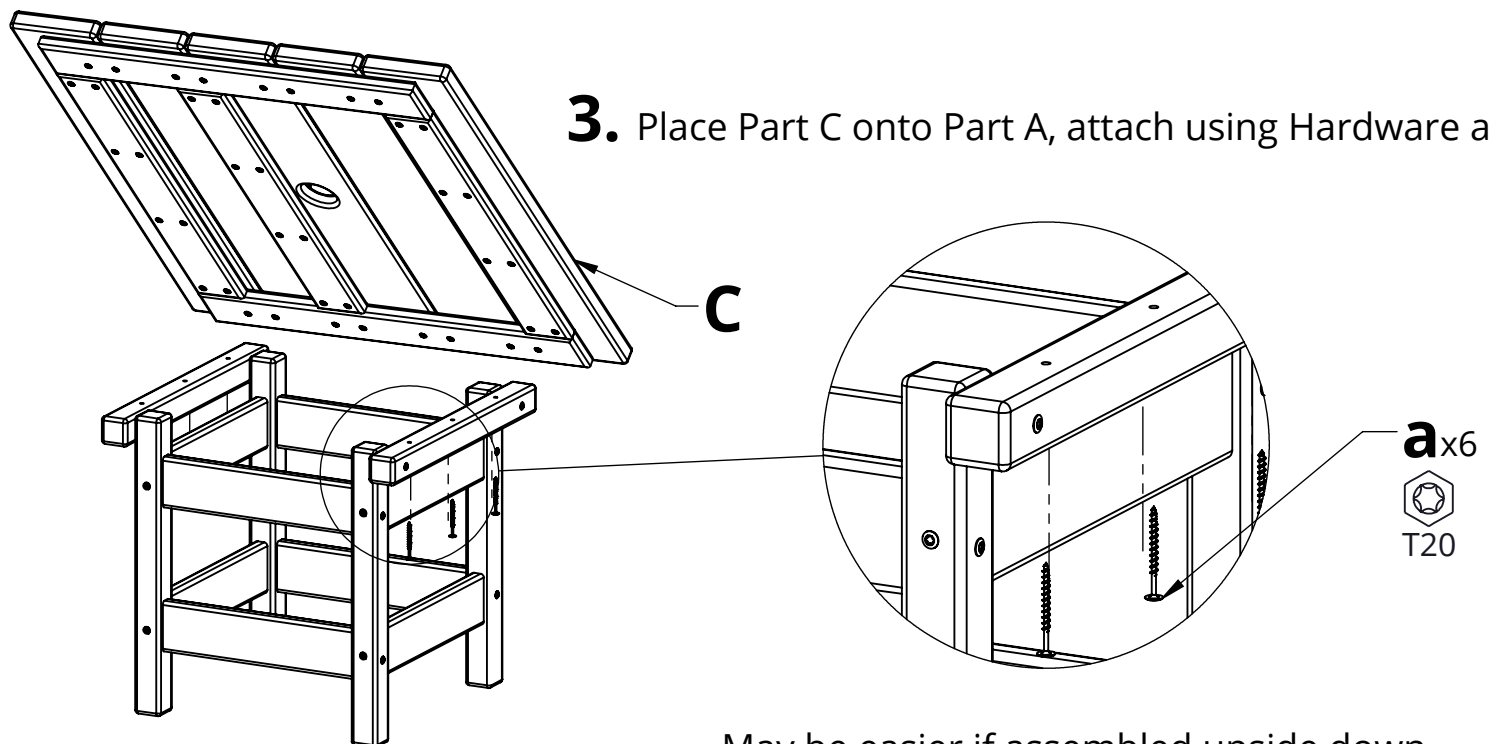
Suggested Tools: Drill, Plastic Mallet

Please read entire instructions before beginning

- 1.** Attach Part B to Part A using Hardware b



- 2.** Place second Part A on assembled piece from Step 1, attach with Hardware b



May be easier if assembled upside down