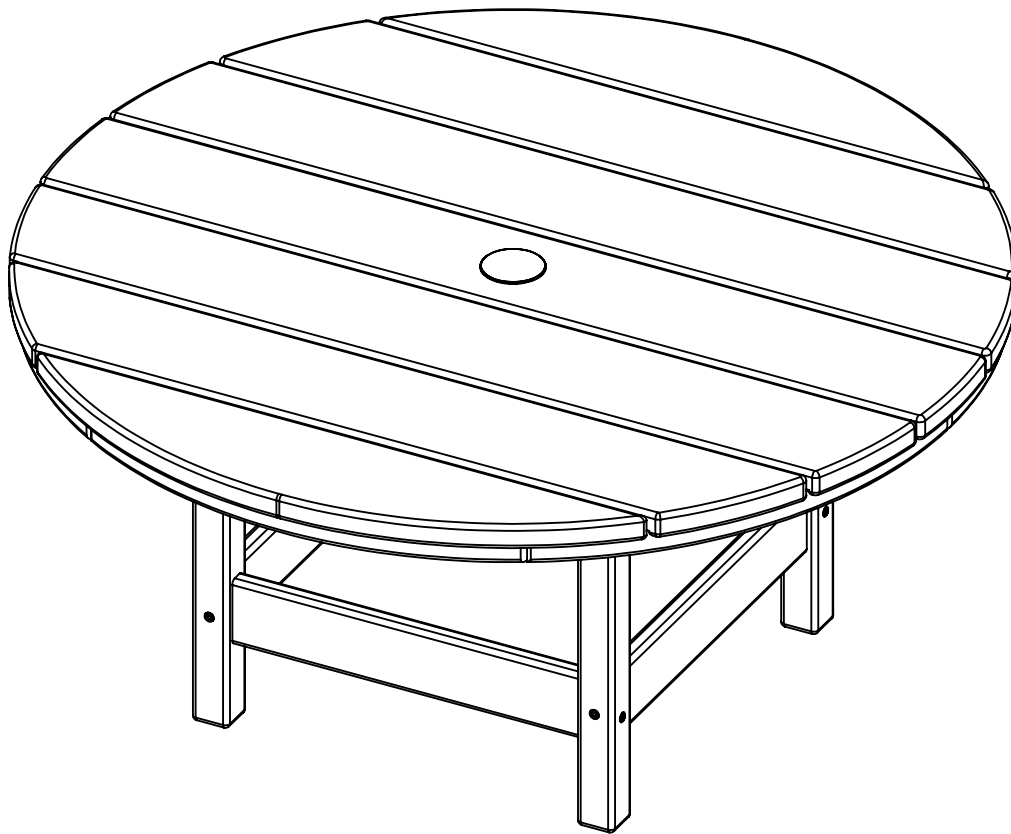
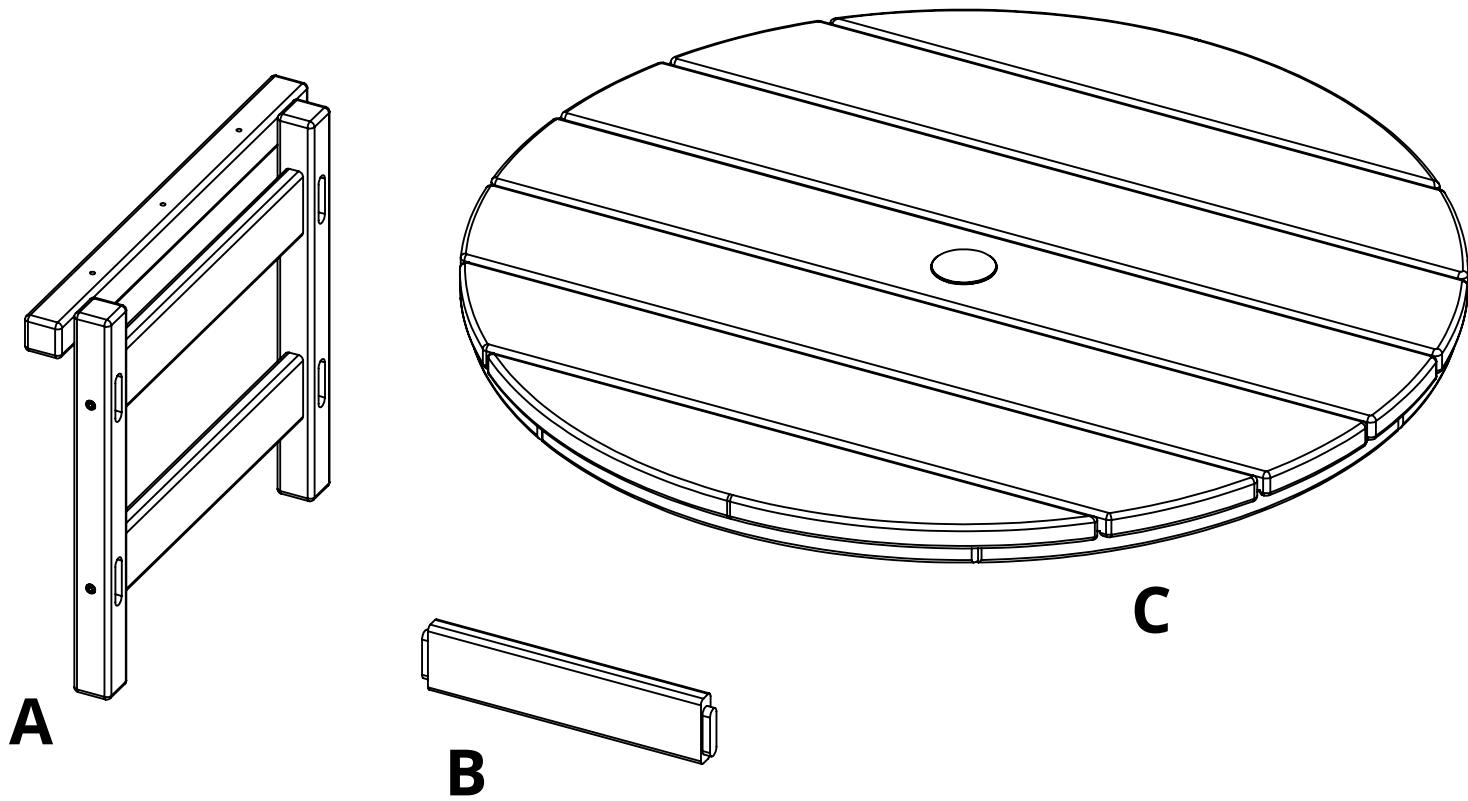


breezesta™

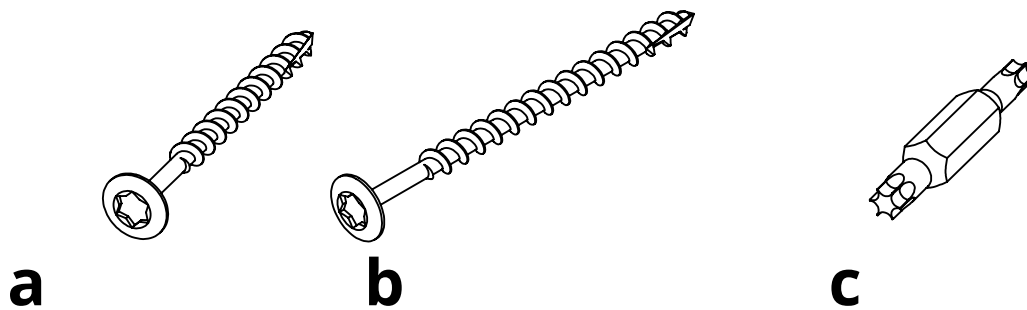
36" ROUND CONVERSATION TABLE
CT-1103



REV02-7/19



PARTS			
PART	DESCRIPTION	PART NO.	QTY
A	SIDE ASSEMBLY	SA-00306	2
B	STOOL SEAT SLAT	SS-14.375	4
C	TABLE TOP ASSEMBLY 32"ROUND	SA-00314	1

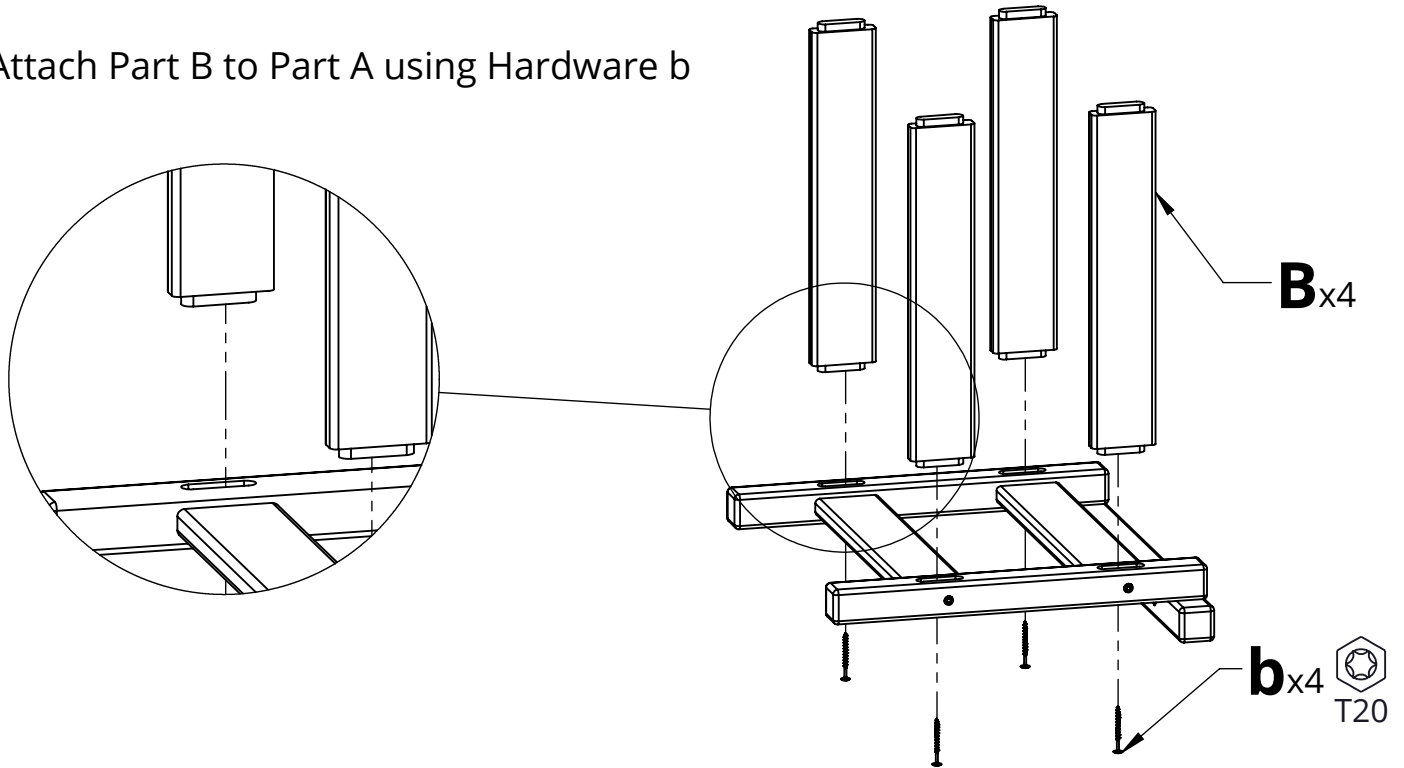


HARDWARE			
PART	DESCRIPTION	PART NO.	QTY
a	#8 X 2" TORX SCREW	H-0000-S82	6
b	#8 X 2-1/2" TORX SCREW	H-0000-S825	8
c	T20 & T25 TORX BIT	H-0000-CTD	1

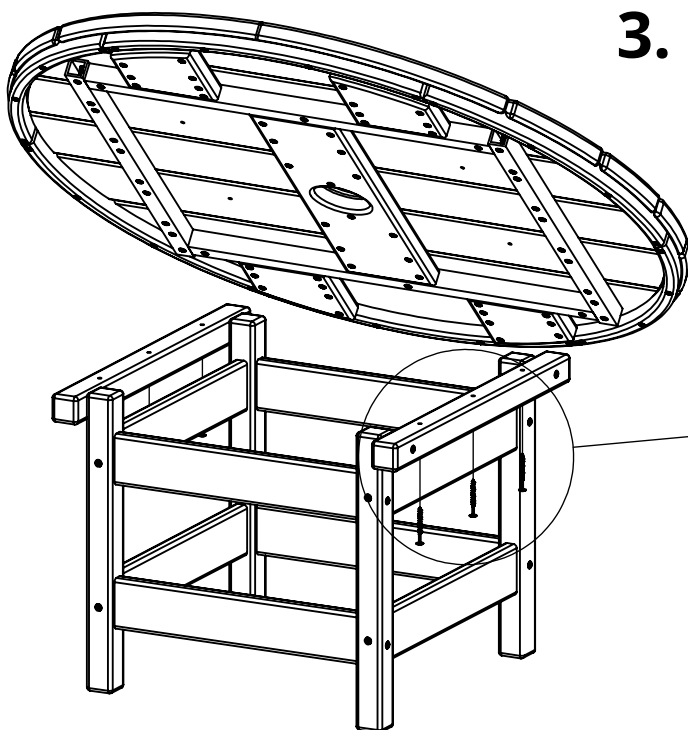
Suggested Tools: Drill, Plastic Mallet

Please read entire instructions before beginning

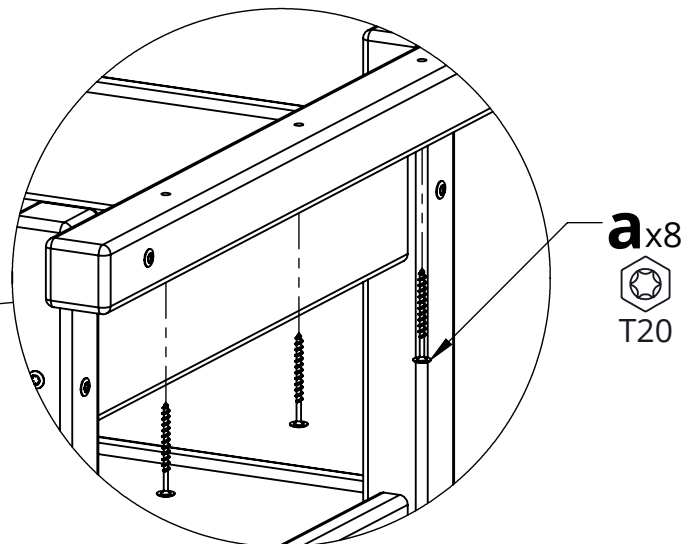
- 1.** Attach Part B to Part A using Hardware b



- 2.** Place second Part A on assembled piece from Step 1, attach with Hardware b



- 3.** Place Part C onto Part A, attach using Hardware a



May be easier if assembled upside down