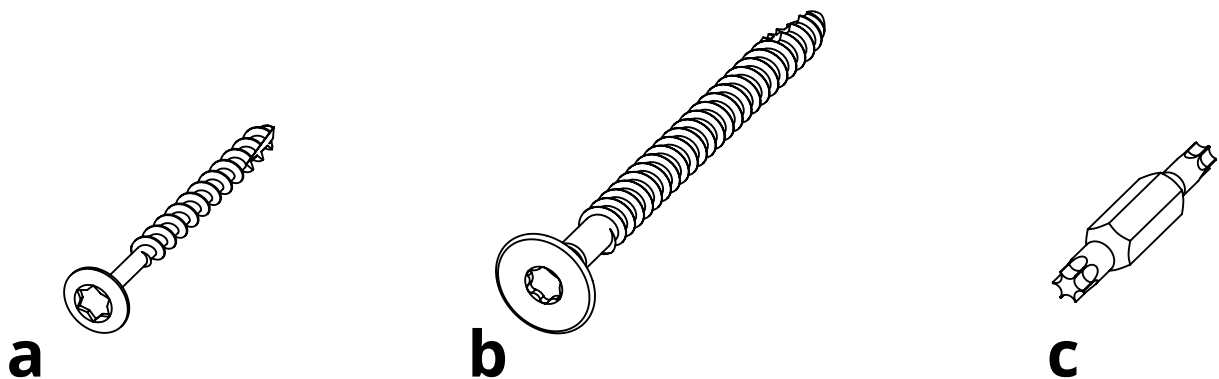


PARTS

| PART | DESCRIPTION | PART NO. | QTY |
|------|---------------------|-----------|-----|
| A | LEFT SIDE ASSEMBLY | SA-00289 | 1 |
| B | RIGHT SIDE ASSEMBLY | SA-00290 | 1 |
| C | SPREADER | PRT-00580 | 4 |
| D | TABLE TOP ASSEMBLY | SA-00284 | 1 |



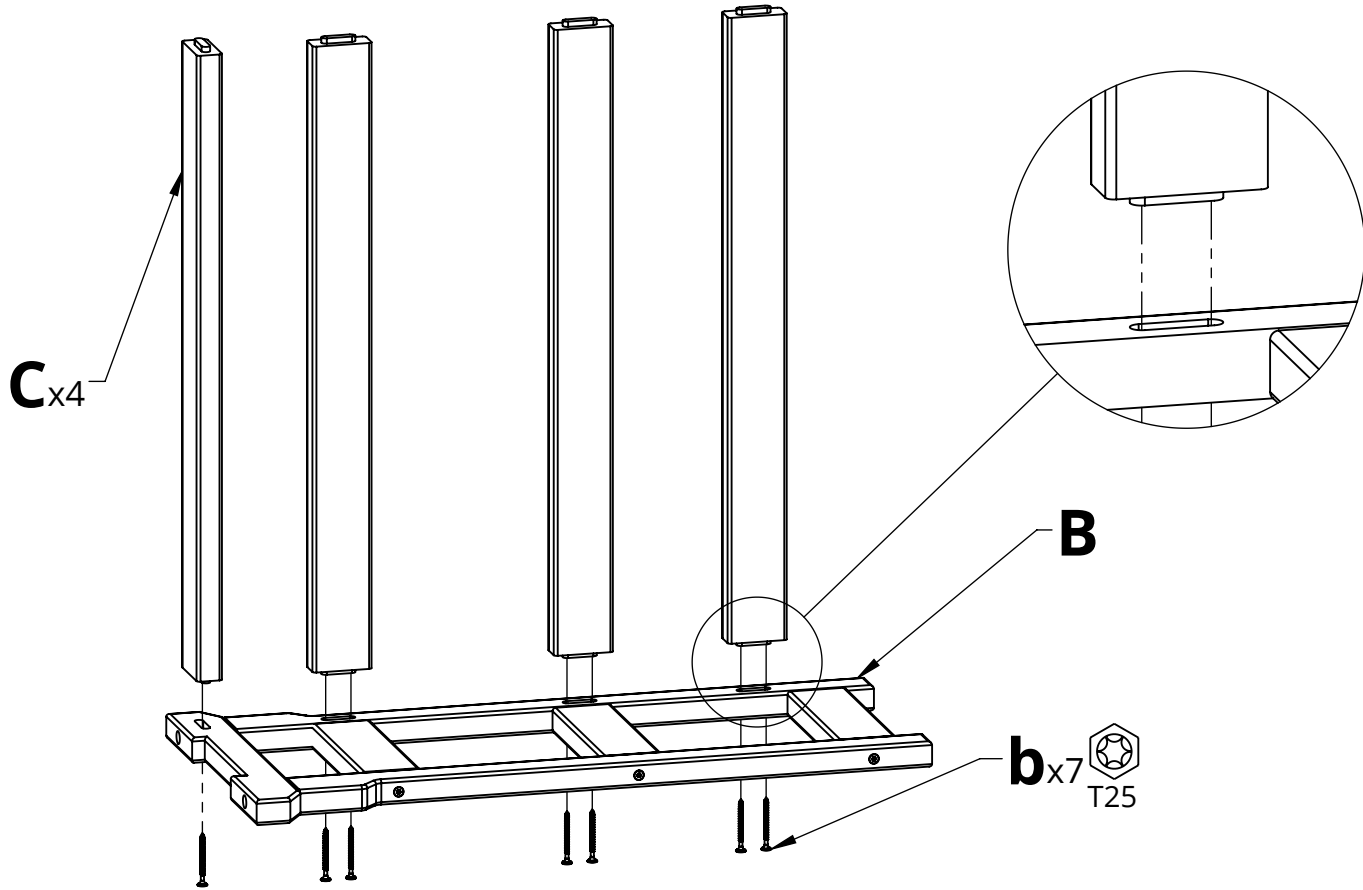
HARDWARE

| PART | DESCRIPTION | PART NO. | QTY |
|------|--------------------|-------------|-----|
| a | #8 X 2" TORX SCREW | H-0000-S815 | 4 |
| b | 1/4-10 x 3" LAG | H-0000-S103 | 14 |
| e | T20 & T25 TORX BIT | H-0000-CTD | 1 |

Suggested Tools: Drill, Plastic Mallet

Please read entire instructions before beginning

1. Attach Part C to Part B using Hardware b



2. Attach Part A to assembled piece from Step 1;
Repeat Step 1

3. Attach assembled piece from Step 2 onto Part D using Hardware a

