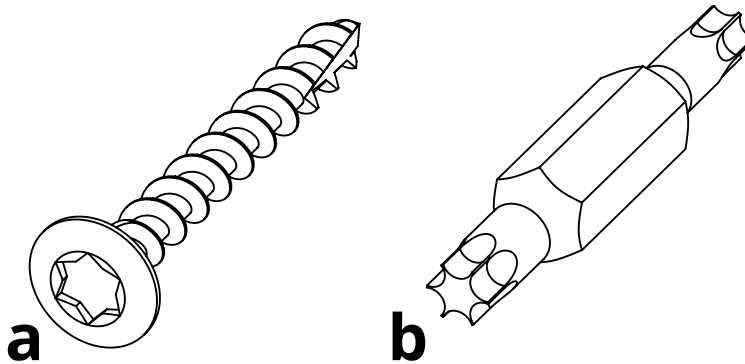


PARTS

PART	DESCRIPTION	PART NO.	QTY
A	SHELF ASSEMBLY	SA-00245	1
B	BOTTOM BRACE ASSEMBLY	SA-00247	1
C	LEFT LEG	PRT-00469	2
D	RIGHT LEG	PRT-00470	2

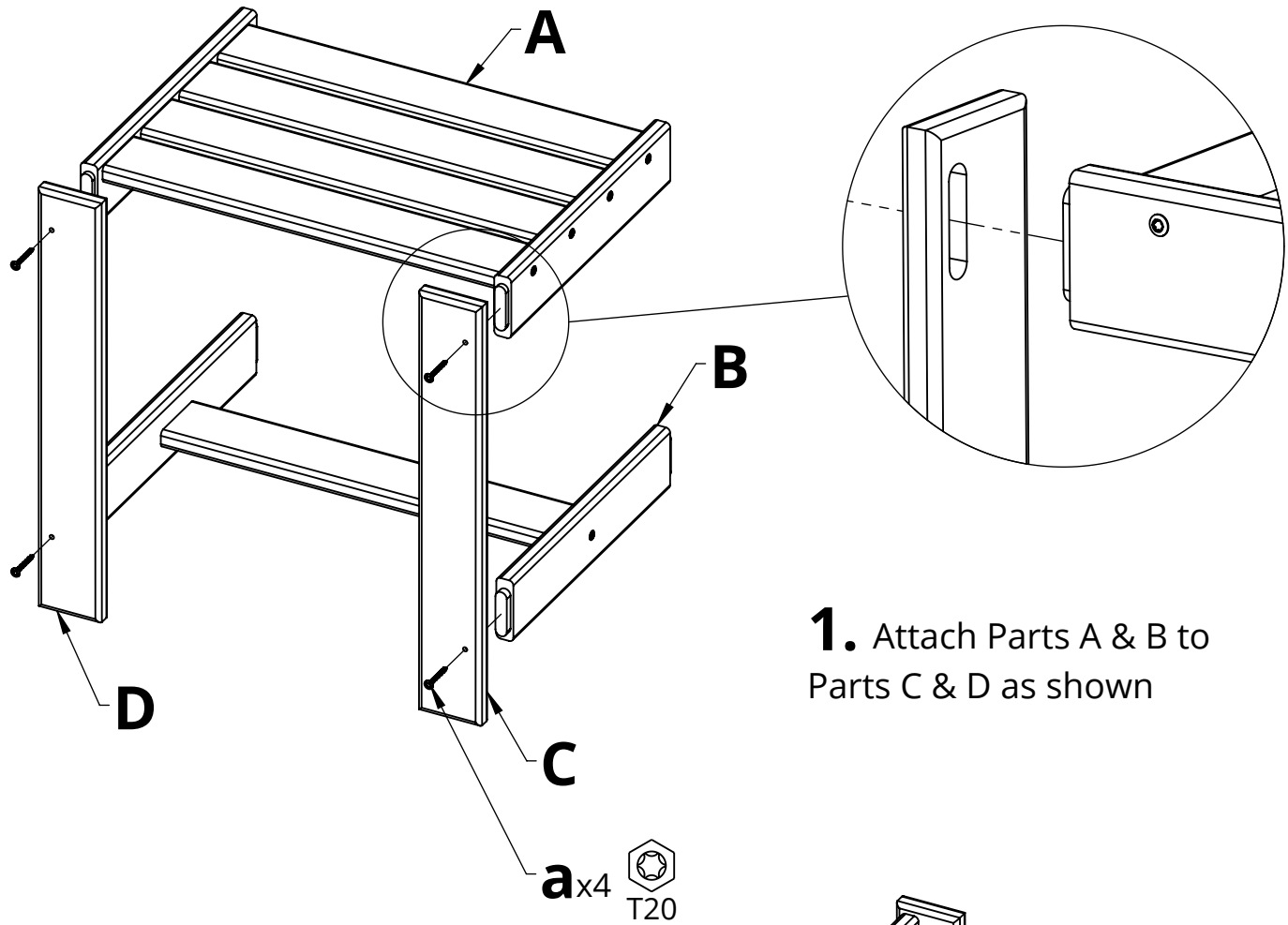


HARDWARE

PART	DESCRIPTION	PART NO.	QTY
a	#8 X 1-1/2" TORX SCREW	H-0000-S815	8
b	T20 & T25 TORX BIT	H-0000-CTD	1

Suggested Tools: Drill, Plastic Mallet

Please read entire instructions before beginning



1. Attach Parts A & B to
Parts C & D as shown

ax4
T20

ax4
T20

2. Rotate the assembly and install the
2nd pair of Parts C & D

