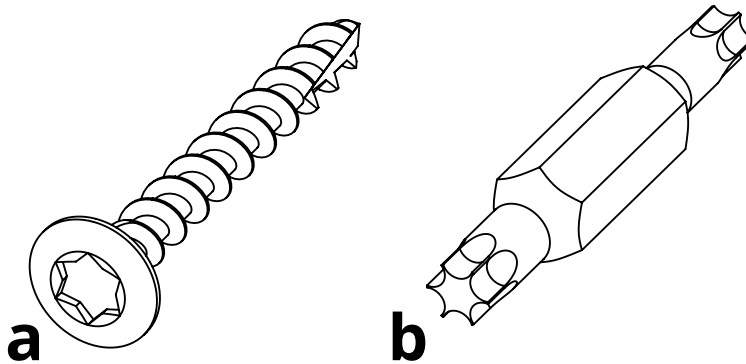


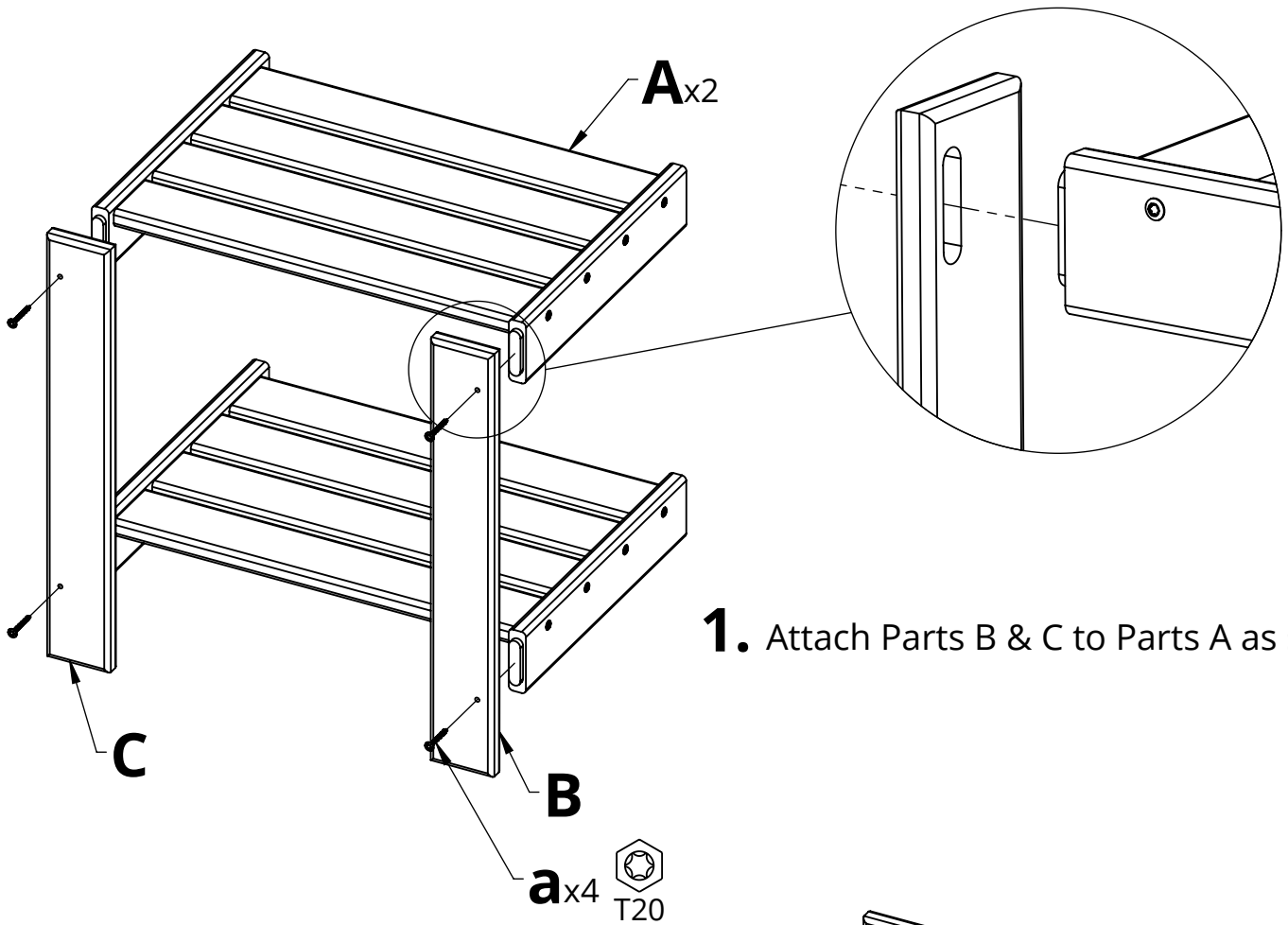
<b>PARTS</b>			
<b>PART</b>	<b>DESCRIPTION</b>	<b>PART NO.</b>	<b>QTY</b>
A	SHELF ASSEMBLY	SA-00245	2
B	LEFT LEG	PRT-00469	2
C	RIGHT LEG	PRT-00470	2



<b>HARDWARE</b>			
<b>PART</b>	<b>DESCRIPTION</b>	<b>PART NO.</b>	<b>QTY</b>
a	#8 X 1-1/2" TORX SCREW	H-0000-S815	8
b	T20 & T25 TORX BIT	H-0000-CTD	1

**Suggested Tools:** Drill, Plastic Mallet

# Please read entire instructions before beginning



**1.** Attach Parts B & C to Parts A as shown

**2.** Rotate the assembly and install the 2nd pair of Parts C & B

