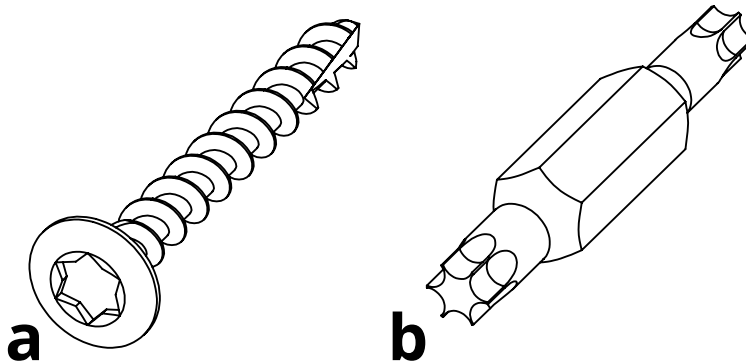


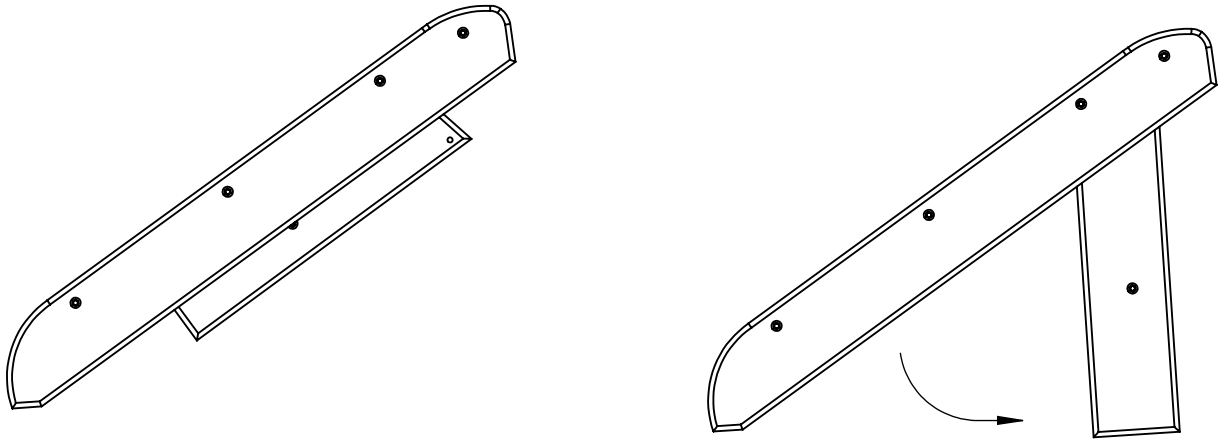
PARTS			
PART	DESCRIPTION	PART NO.	QTY
A	BB-FOOTREST	BB-101	1



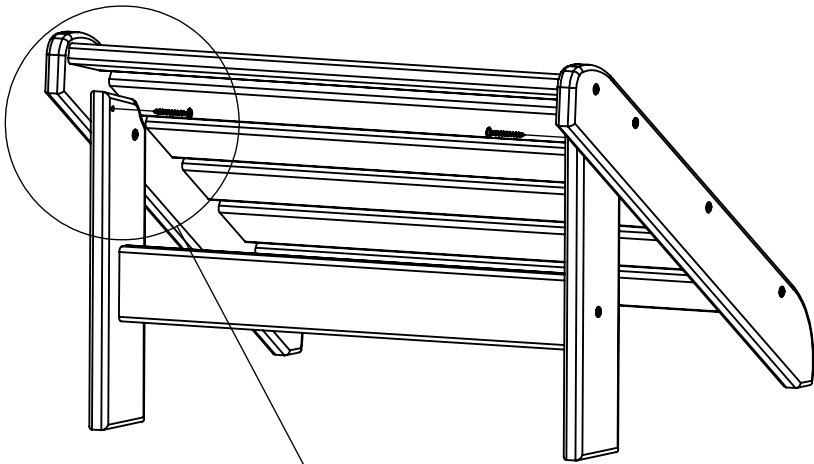
HARDWARE			
PART	DESCRIPTION	PART NO.	QTY
a	#8 X 1-1/4" TORX SCREW	H-0000-S8125	2
b	T20 & T25 TORX BIT	H-0000-CTD	1

Suggested Tools: Drill, Plastic Mallet

Please read entire instructions before beginning



1. Swing the legs down from the stored position



2. Fix the legs in place using Hardware a

