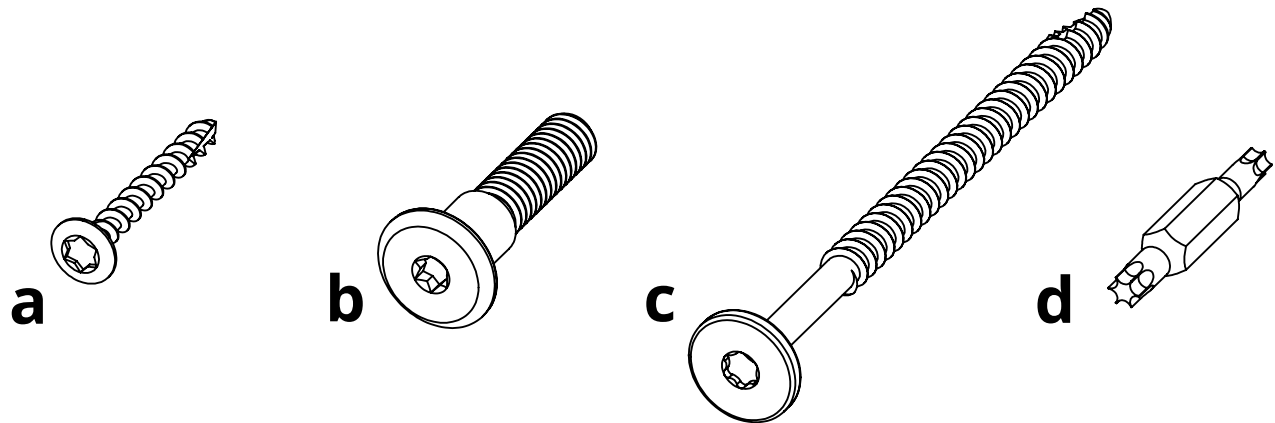


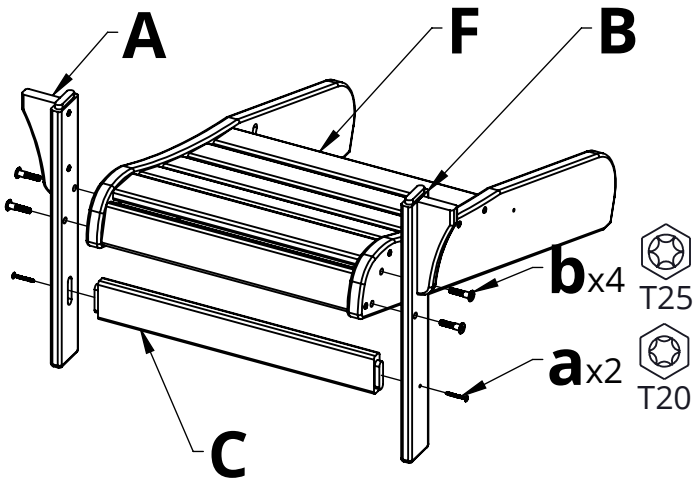
| <b>PARTS</b> |                          |                 |            |
|--------------|--------------------------|-----------------|------------|
| <b>PART</b>  | <b>DESCRIPTION</b>       | <b>PART NO.</b> | <b>QTY</b> |
| A            | LEFT FRONT LEG ASSEMBLY  | SA-00025        | 1          |
| B            | RIGHT FRONT LEG ASSEMBLY | SA-00026        | 1          |
| C            | BB SPREADER              | SS-19.5         | 1          |
| D            | LEFT ARM                 | PRT-00063       | 1          |
| E            | RIGHT ARM                | PRT-00064       | 1          |
| F            | BASE ASSEMBLY            | SA-00024        | 1          |
| G            | BACK ASSEMBLY            | SA-00027        | 1          |



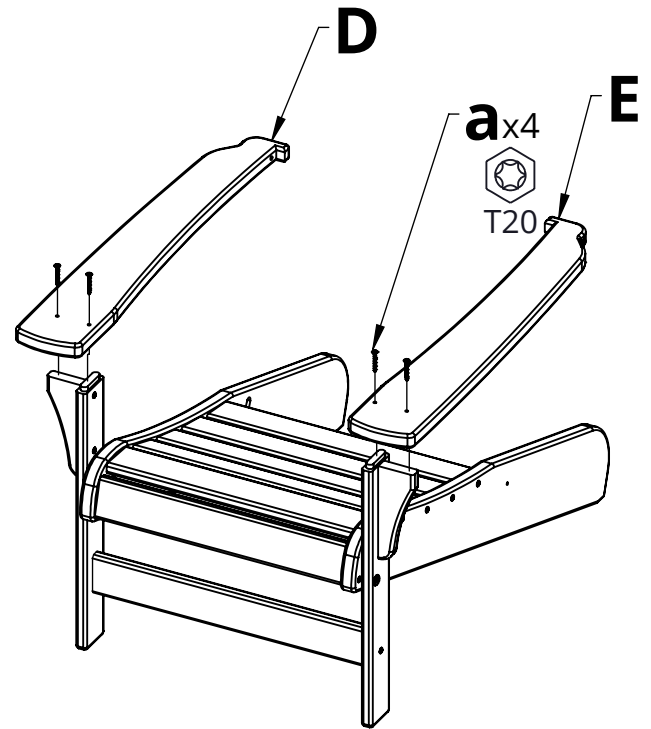
| <b>HARDWARE</b> |                           |                 |            |
|-----------------|---------------------------|-----------------|------------|
| <b>PART</b>     | <b>DESCRIPTION</b>        | <b>PART NO.</b> | <b>QTY</b> |
| a               | #8 X 1-1/2" TORX SCREW    | H-0000-S815     | 8          |
| b               | 5/16" X 1-1/2" CHAIR BOLT | H-0000-CB51615  | 4          |
| c               | 1/4"-10 X 4" LAG SCREW    | H-0000-S104     | 2          |
| d               | T20 & T25 TORX BIT        | H-0000-CTD      | 1          |

**Suggested Tools:** Drill, Plastic Mallet

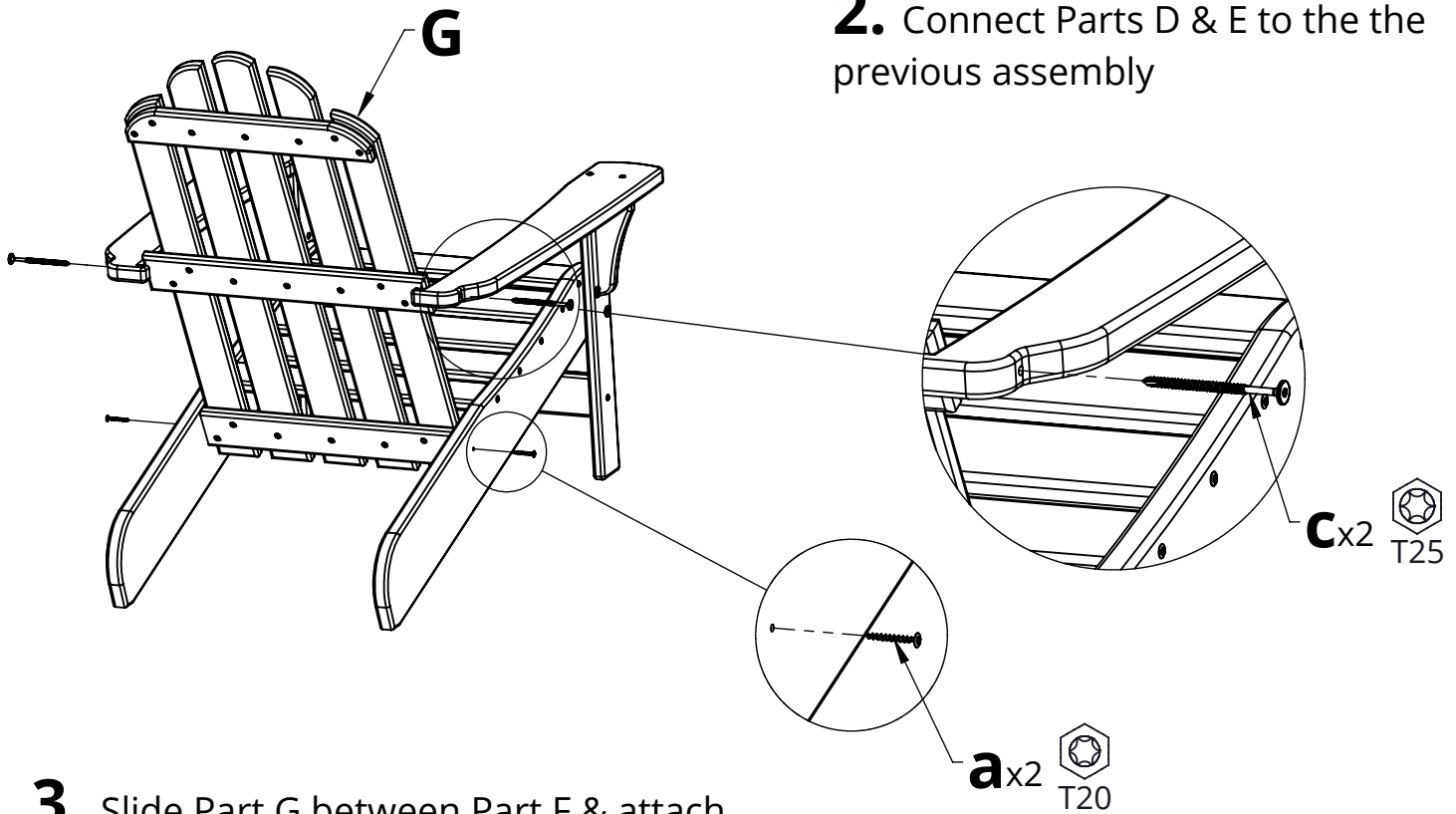
# Please read entire instructions before beginning



**1.** Attach Parts F & C between Parts A & B as shown



**2.** Connect Parts D & E to the the previous assembly



**3.** Slide Part G between Part F & attach it as shown