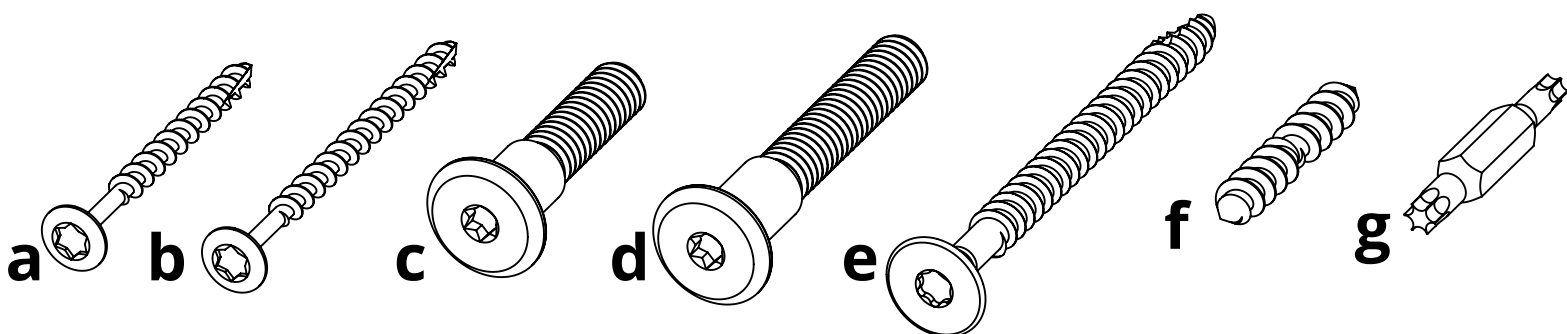


PARTS

PART	DESCRIPTION	PART NO.	QTY
A	FRONT LEG ASSEMBLY	SA-00071	2
B	LEFT BACK LEG ASSEMBLY	SA-00072	1
C	RIGHT BACK LEG ASSEMBLY	SA-00073	1
D	UNDER ARM SUPPORT	PRT-00146	2
E	SEAT ASSEMBLY	SA-00068	1
F	ROCKER LEG	PRT-00161	2
G	LEFT ARM ASSEMBLY	SA-00066	1
H	RIGHT ARM ASSEMBLY	SA-00067	1
I	BACK ASSEMBLY	SA-00069	1

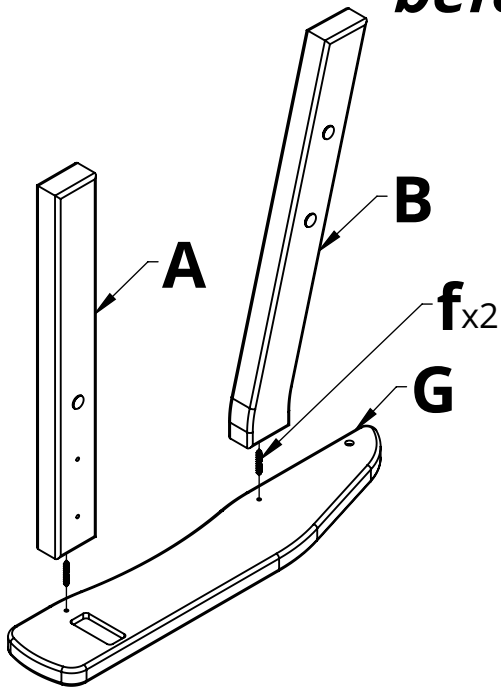


HARDWARE

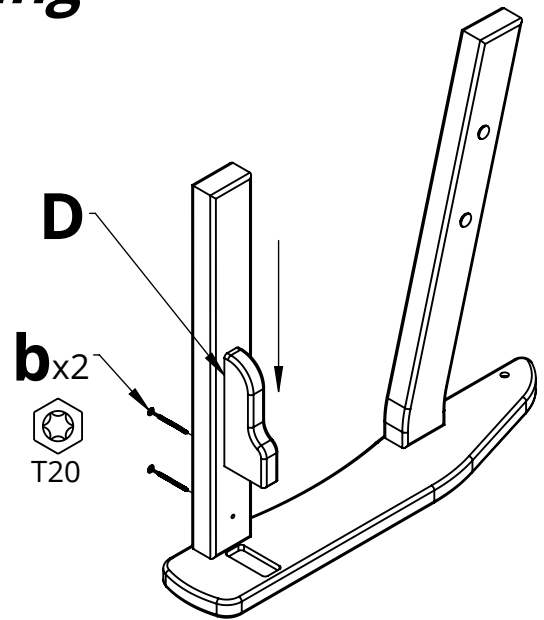
PART	DESCRIPTION	PART NO.	QTY
a	#8 X 2" TORX SCREW	H-0000-S82	2
b	#8 X 2-1/2" TORX SCREW	H-0000-S825	4
c	5/16" X 1-1/2" CHAIR BOLT	H-0000-CB51615	2
d	5/16" X 2-1/8" CHAIR BOLT	H-0000-CB516218	6
e	1/4"-10 X 3" LAG SCREW	H-0000-S103	4
f	DOUBLE SCREW	H-0000-DS	4
g	T20 & T25 TORX BIT	H-0000-CTD	1

Suggested Tools: Drill, Plastic Mallet

Please read entire instructions before beginning

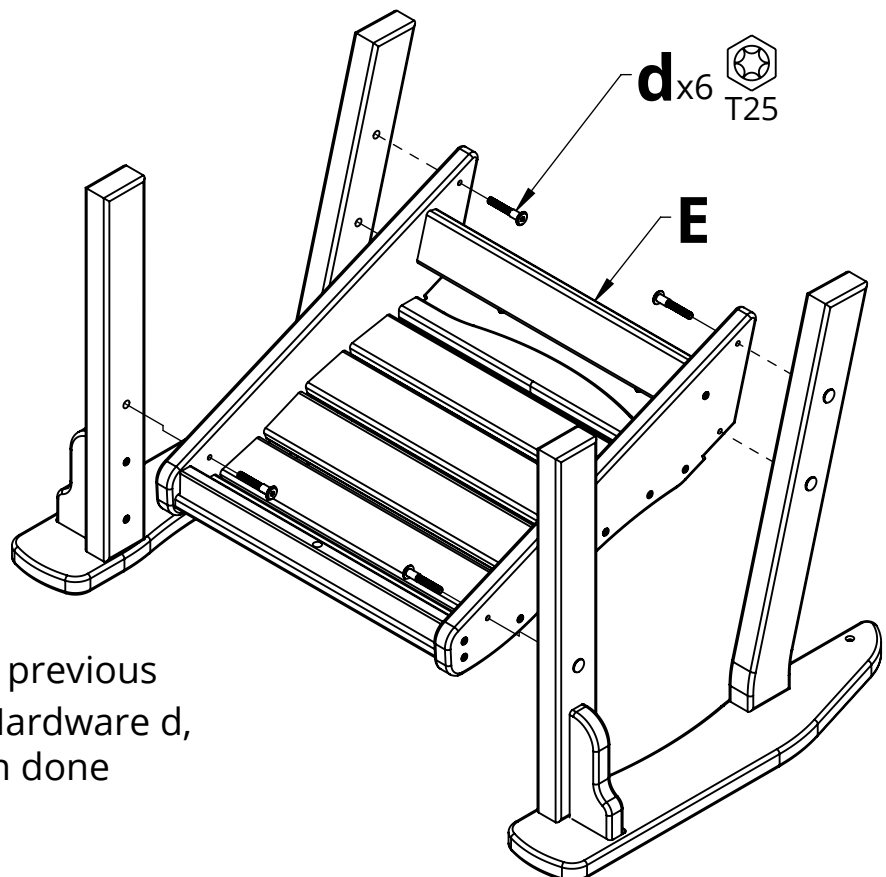


- 1.** Attach Part S A & B to Part G by inserting Hardware f into the pre-drilled holes and rotating Parts A & B clockwise, stopping when the assembly is tight

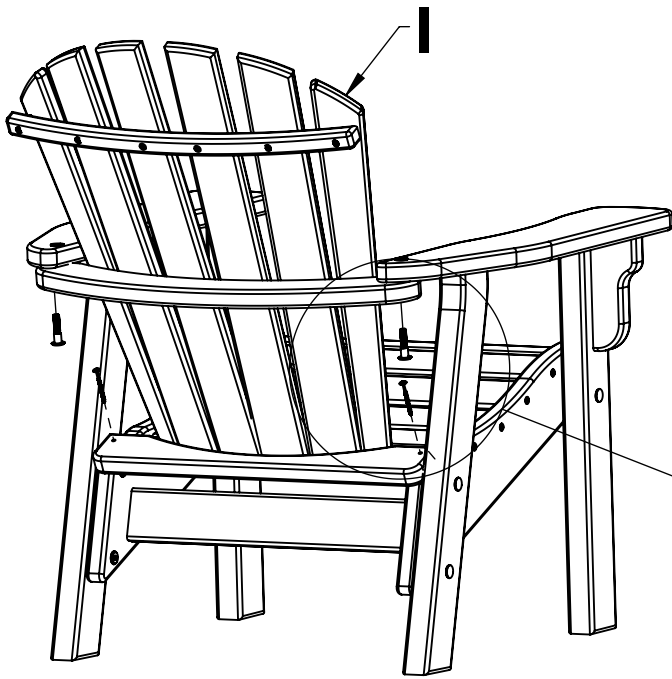


- 2.** Attach Part D to the previous assemblies using Hardware b

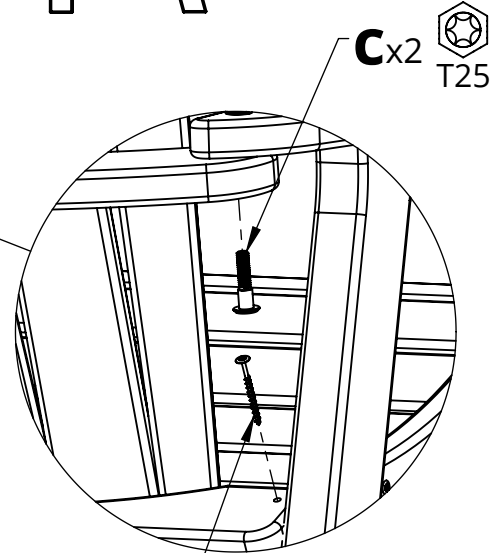
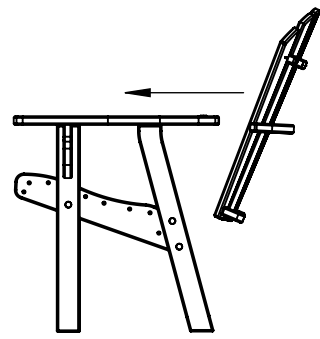
- 3.** Repeat Steps 1 & 2 with Parts A, C, D & H



- 4.** Place Part E between the previous assemblies and attach with Hardware d, this step is made easier when done upside down

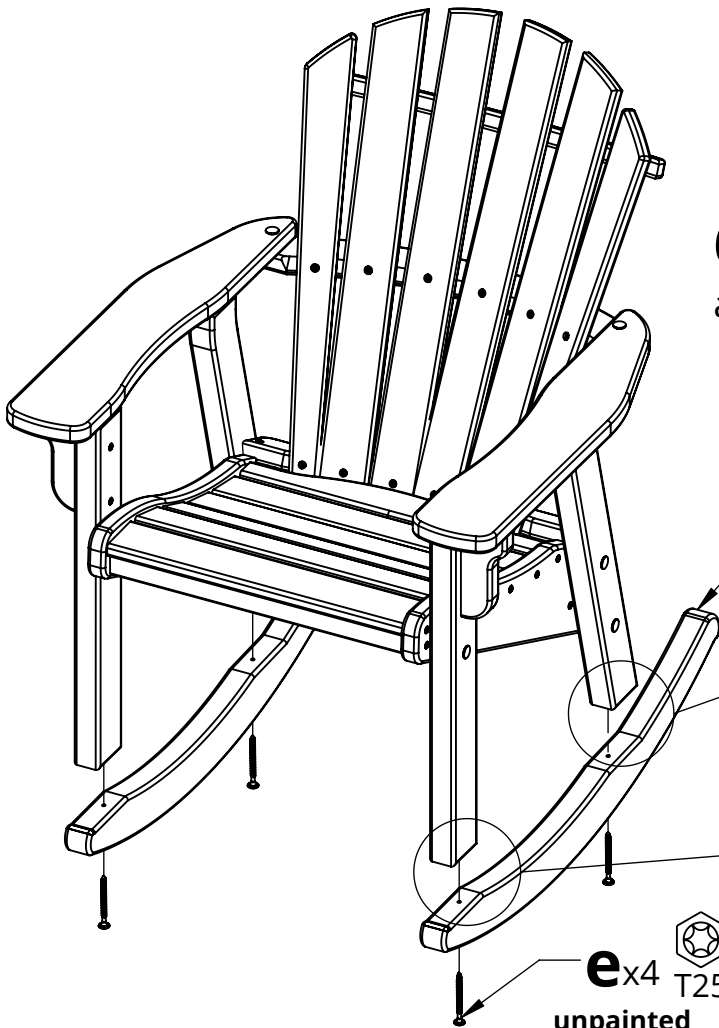


5. Slide Part I in place and attach it using the hardware shown



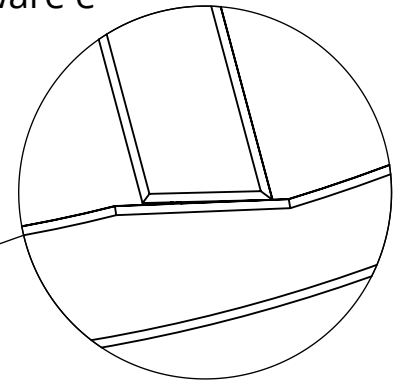
ax2
T20

6. Attach Parts F to the previous assemblies using Hardware e

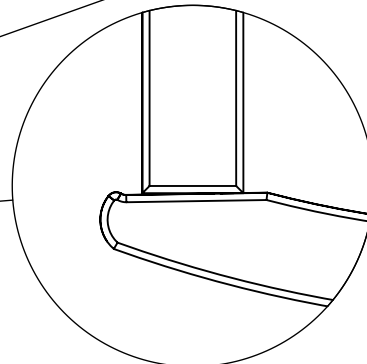


Fx2

ex4 T25
unpainted



Back Leg Placement



Front Leg Placement