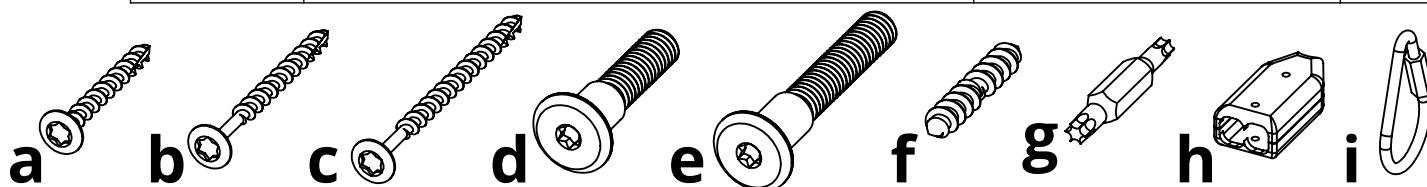


PARTS

PART	DESCRIPTION	PART NO.	QTY
A	LEFT BACK LEG ASSEMBLY	SA-00110	1
B	LEFT FRONT LEG ASSEMBLY	SA-00107	1
C	RIGHT BACK LEG ASSEMBLY	SA-00109	1
D	RIGHT FRON LEG ASSEMBLY	SA-00056	1
E	UNDER ARM SUPPORT	PRT-00146	2
F	LEFT ARM ASSEMBLY	SA-00108	1
G	RIGHT ARM ASSEMBLY	SA-00111	1
H	SEAT ASSEMBLY	SA-00094	1
I	LEFT BACK ASSEMBLY	SA-00095	1
J	CENTER BACK ASSEMBLY	SA-00097	1
K	RIGHT BACK ASSEMBLY	SA-00096	1
L	SEAT SUPPORT	PRT-00184	1

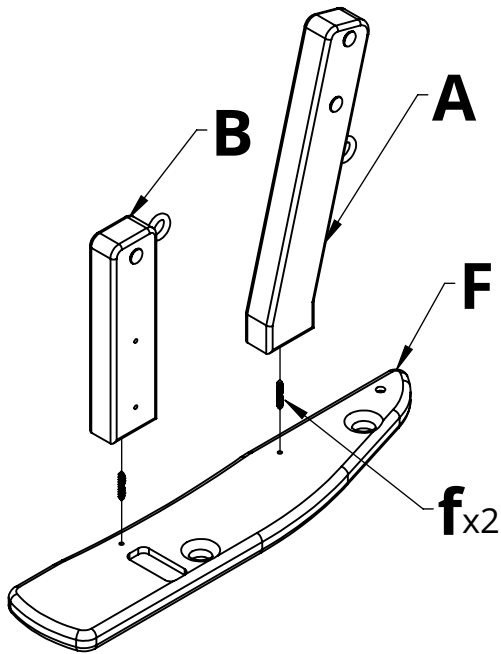


HARDWARE

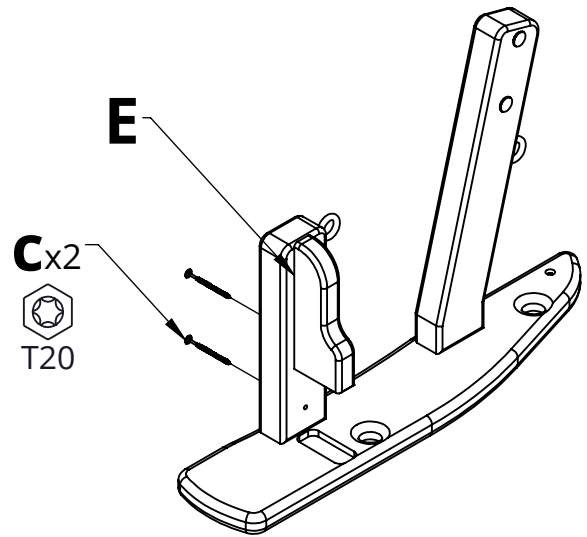
PART	DESCRIPTION	PART NO.	QTY
a1	#8 X 1-1/2" TORX SCREW FRAME COLOR	H-0000-S815	5
a2	#8 X 1-1/2" TORX SCREW SLAT COLOR	H-0000-S815	3
b	#8 X 2" TORX SCREW	H-0000-S82	5
c	#8 X 2-1/2" TORX SCREW	H-0000-S825	4
d	5/16" X 1-1/2" CHAIR BOLT	H-0000-CB51615	6
e	5/16" X 2-1/8" CHAIR BOLT	H-0000-CB516218	6
f	DOUBLE SCREW	H-0000-DS	4
g	T20 & T25 TORX BIT	H-0000-CTD	1
h	ROPE CLAMP	H-0000-RC	4
i	QUICK LINK	H-0000-QLPS	2
j	8FT SWING ROPE-NOT SHOWN	H-0000-SR	2

Suggested Tools: Drill, Plastic Mallet

Please read entire instructions before beginning

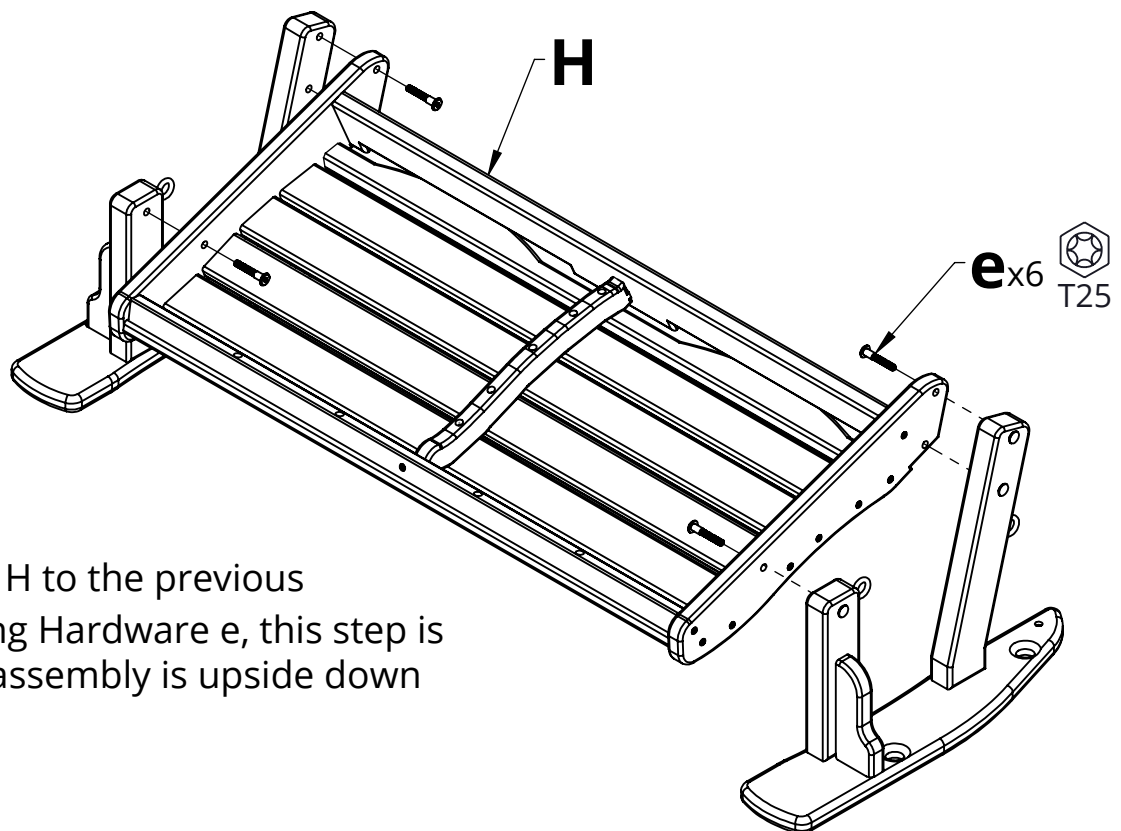


1. Attach Parts A & B to Part F by inserting Hardware f into the pre-drilled holes and rotating clockwise, stopping when the assembly is tight

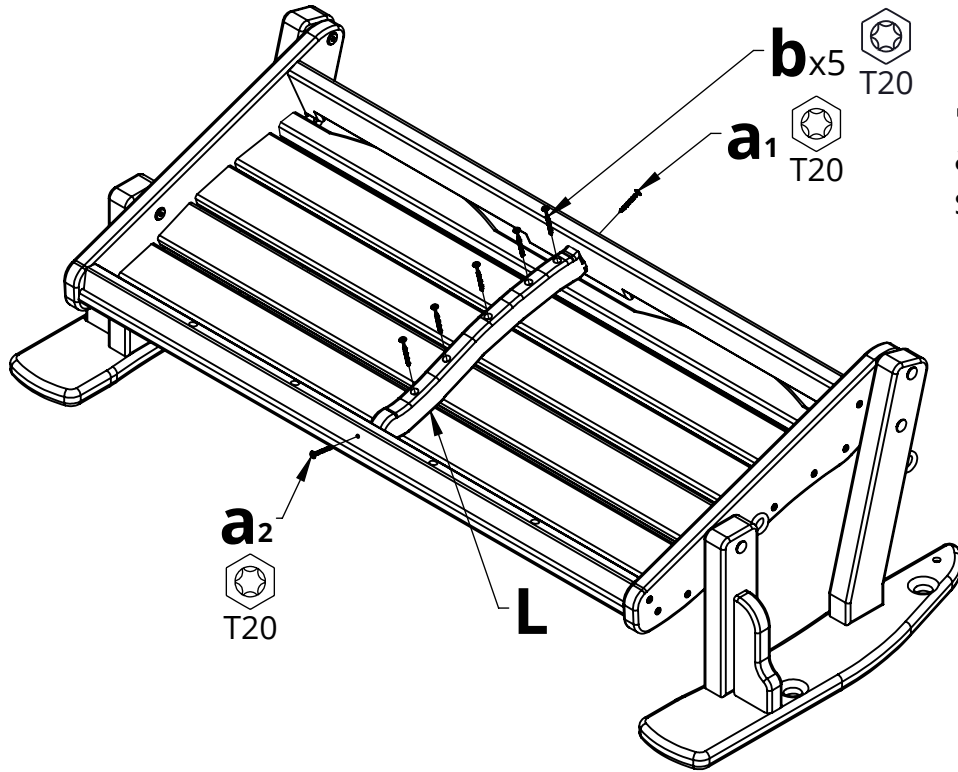


2. Place Part E into the pre-cut slot & attach it with Hardware c

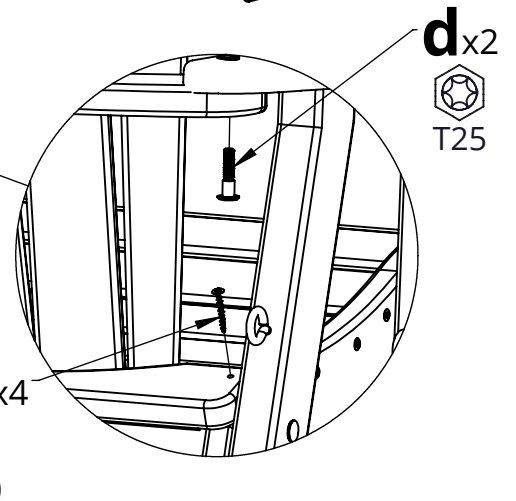
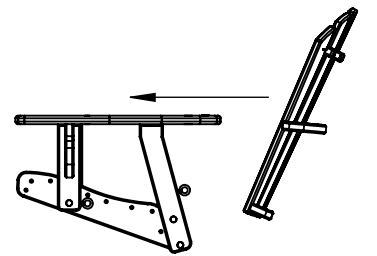
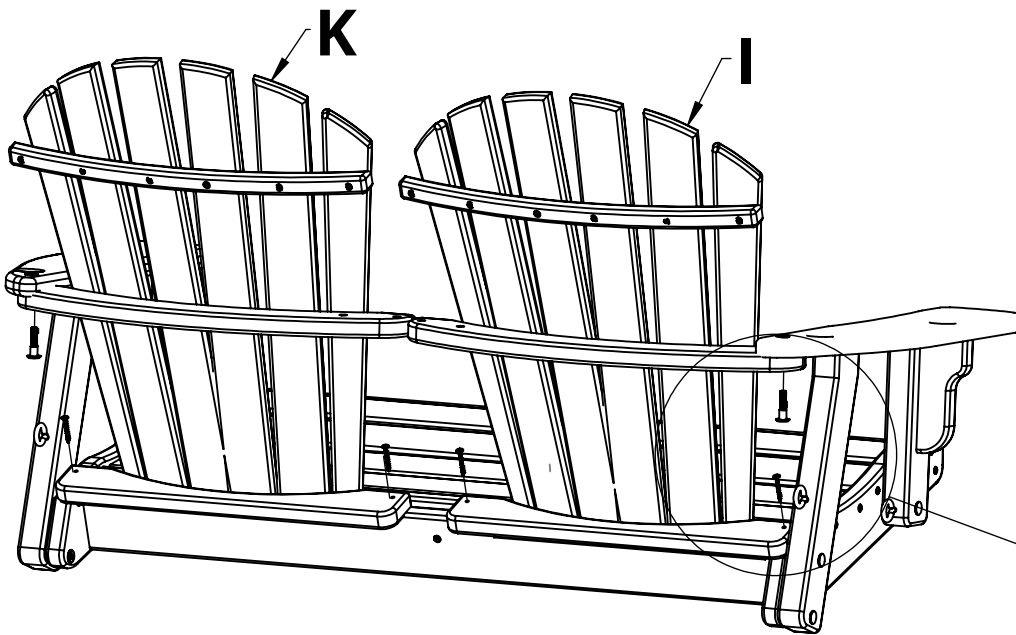
3. Repeat Steps 1 & 2 with Parts C, D, E, G



4. Attach Part H to the previous assemblies using Hardware e, this step is made easier if assembly is upside down

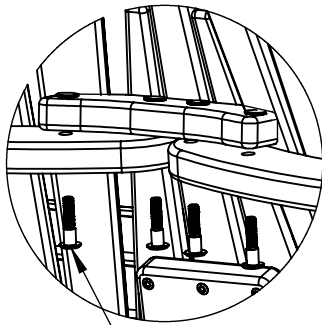
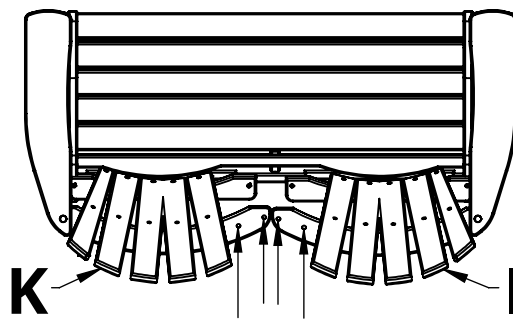


5. Place Part L into Part H & attach it with the hardware shown



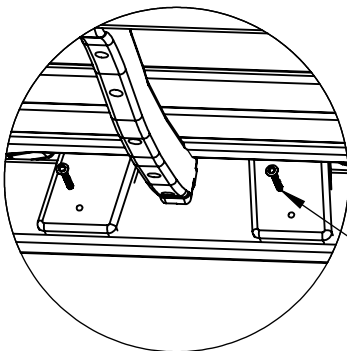
6. Slide Parts K & I into place and attach it using the hardware shown

Back View

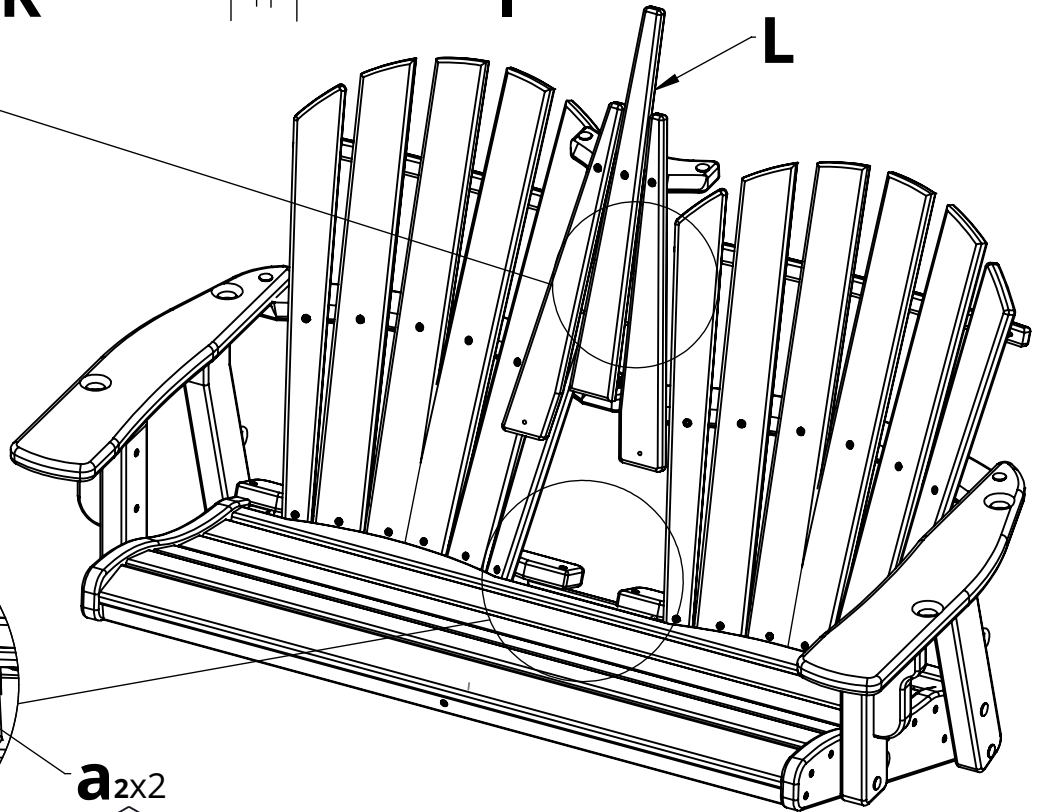


d x 4
T25

Under Seat View



a x 2
T20



7. Drop Part L into place and attach it using the hardware shown



1



2

Rope Assembly

1) At the center of each rope tie the knot seen in image 1 with Hardware i.

2) Feed the ends of one rope through the two holes of one arm. Pass the rope ends through one eyebolt each and install the clamp (Hardware h) in image 2 by removing the screws, opening it up, inserting the rope, closing and replacing the screws as shown.